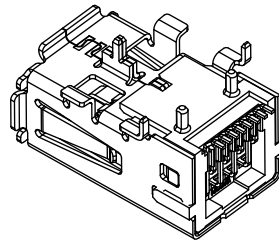


HSF

NOTES:

Current Rating:0.5A/Pin
 Voltage Rating:50V/AC
 Contact Resistance:40mΩ Max.
 Withstand Voltage:1000V
 Insulation Resistance:500MΩ Min.
 Operation Temperature:-40°C to +85°C
 Insulator Material:LCP,G.F,UL94V-0,BLACK or Natural
 Contact Material:Copper Alloy
 Contact Plating:Gold On Contact Area(See Ordering Information),
 80u" Min Tin On Solder Area,
 50u" Nickel Underplating Overall.
 Shell Material:Copper Alloy
 Shell Plating:80u"Min Matte Tin Over 30u"Min Ni

Recommended Process:
 IR Stove,Peak temperature:260±5°C



3D VIEW

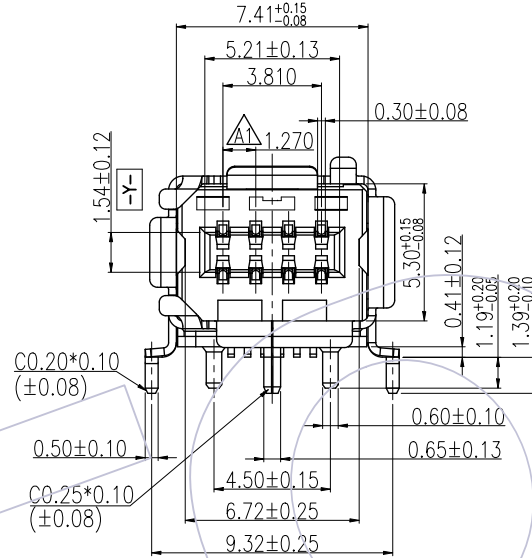
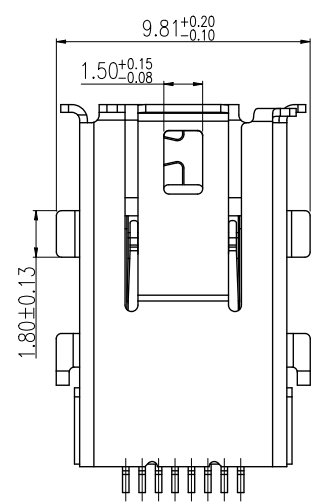
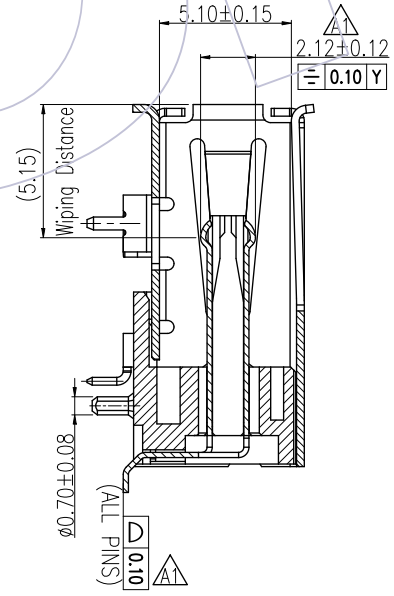
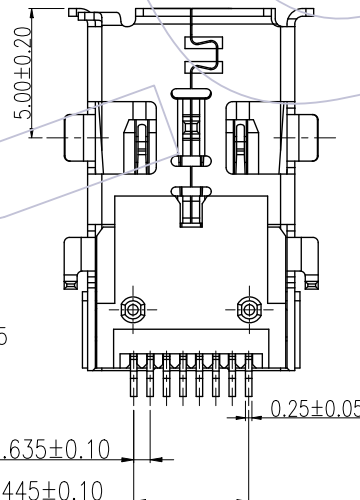
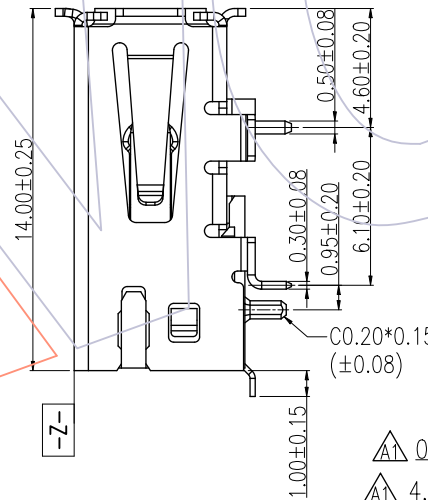
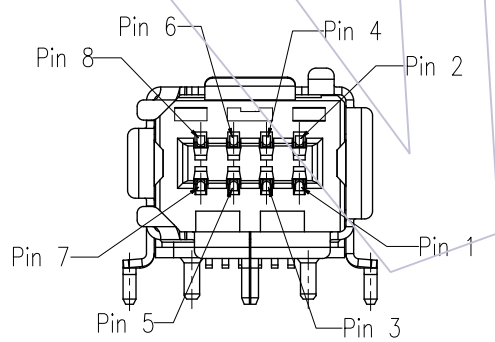


Table.1:

6361-08FZXXDXMR1	6361-08FZXXDXHR1
Post	W/O Post



REV	DATE	MODIFICATION DESCRIPTION	CHANGE	OPERATION	DRAW	DATE	SCALE	Fit	PART NO.
A1	2023/06/08	Adjustment Size	Jason	x.X ±0.40	Jason	2023/06/08	UNIT	mm	6361-08FZXXDXR1
A0	2022/05/10	NEW RELEASE	Jason	x.XX ±0.25	CHECK	DATE	SIZE	A4	TITLE: 1.27mm Micro I/O 8P Receptacle Connector 90° SMT TYPE II
				x.XXX ±0.15	Andrey	DATE	SHEET	1/2	Customer NO.
				Angle ± 3°	APPROVE	DATE	PROJ.		
				DIM TOL					

WCON
 Http: www.wcon.com
 WCON-Dongguan Tel: +86 769 85358920
 WCON-Kunshan Tel: +86 512 57468408
 Fax: +86 769 85358915
 Fax: +86 512 57468468
 E-mail: sales@wcon.com
 E-mail: salesks@wcon.com

HSF

Ordering Information

6361- 08 F Z XX D X X R 1

Series Code:
6361=Product Series

No. of Pins:
08=8Pin

No. of Pins:
F=Female

Type Code:
Z=90° SMT

Contact Plating:

W0=Sel.Gold Flash /Matte Sn
W1=Sel.3u"Gold /Matte Sn
W4=Sel.15u"Gold /Matte Sn
W5=Sel.30u"Gold /Matte Sn

Wcon Internal Code:

1~9

Packing:

R=Reel

Type Code:

W=TYPE I ,W/T Post

N=TYPE I ,W/O Post

M=TYPE II ,W/T Post

H=TYPE II ,W/O Post

Color:

B=Black

T=Natural

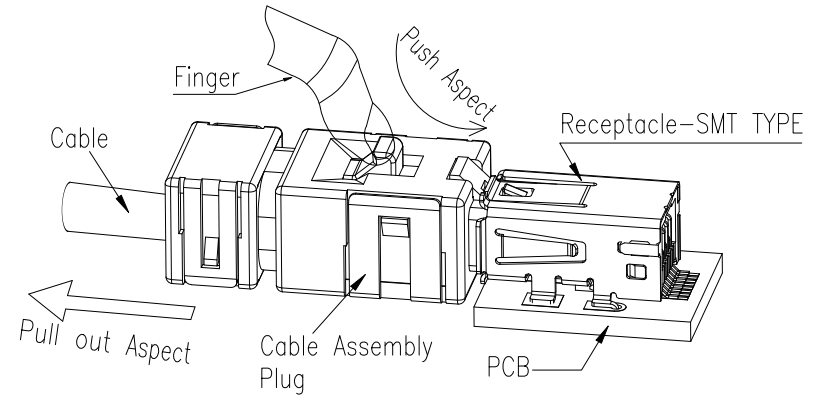
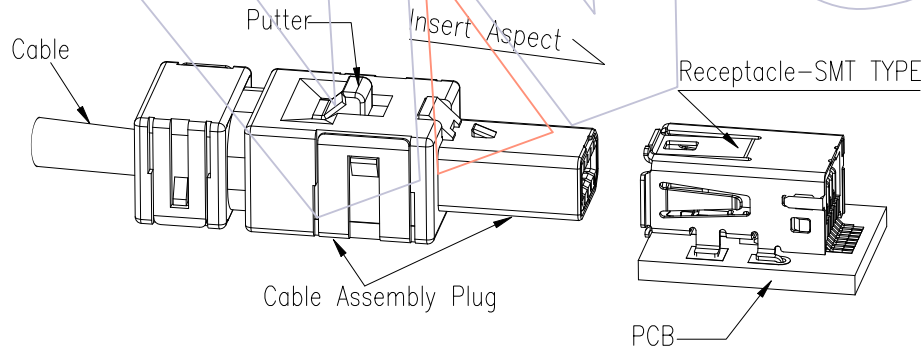
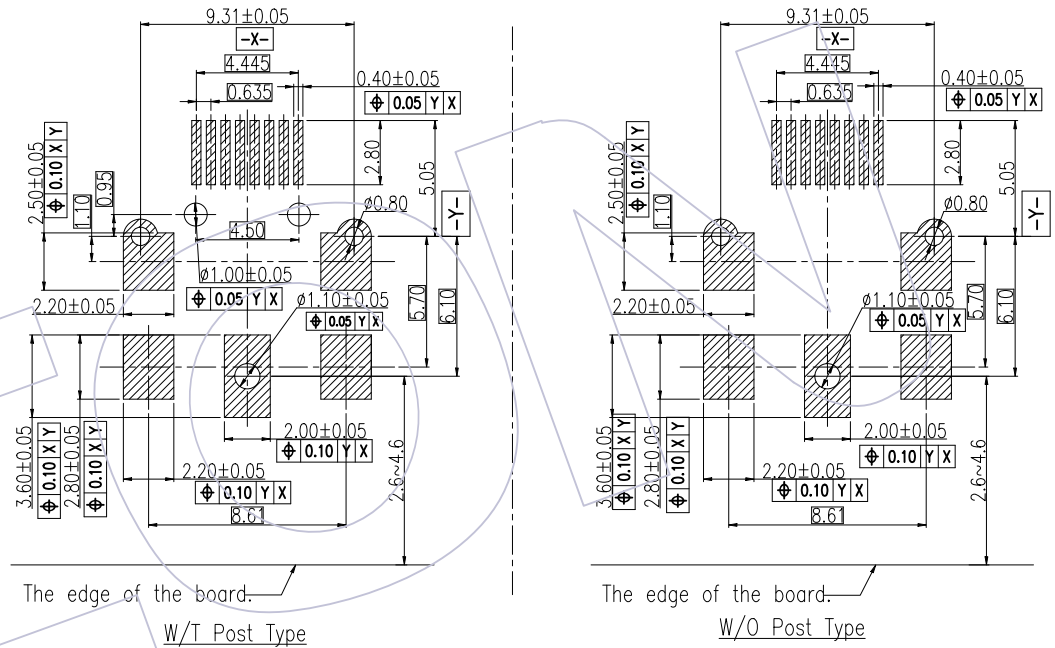
Material:

D=LCP

Recommended P.C.B Layout(Top Side)

(PCB BOARD TOLERANCE±0.05)

PCB BOARD THICKNESS:1.6~2.0



REV	DATE	MODIFICATION DESCRIPTION	CHANGE	OPERATION	DRAW	DATE	SCALE	Fit	PART NO.
A1	2023/06/08	Adjustment Size	Jason	x.x ±0.40	Jason	2023/06/08	UNIT	mm	6361-08FZXDXXR1
A0	2022/05/10	NEW RELEASE	Jason	x.xx ±0.25	CHECK	DATE	SIZE	A4	TITLE:
				x.xxx ±0.15	Andrey		SHEET	2/2	1.27mm Micro I/O 8P Receptacle Connector 90° SMT TYPE II
				Angle ± 3°	APPROVE	DATE	PROJ.		Customer NO.
				DIM TOL					

WCON

Http: www.wcon.com

WCON-Dongguan Tel: +86 769 85358920 Fax: +86 769 85358915 E-mail: sales@wcon.com

WCON-Kunshan Tel: +86 512 57468408 Fax: +86 512 57468468 E-mail: salesks@wcon.com