

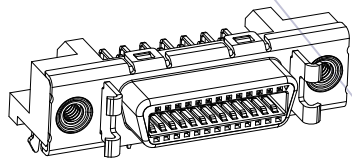
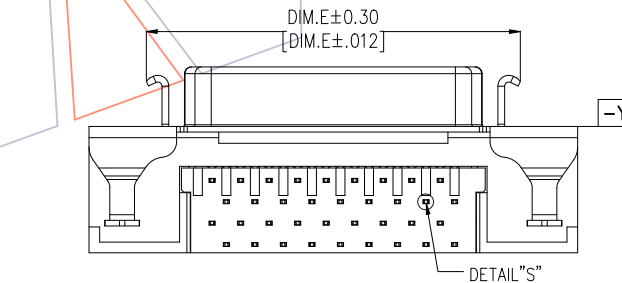
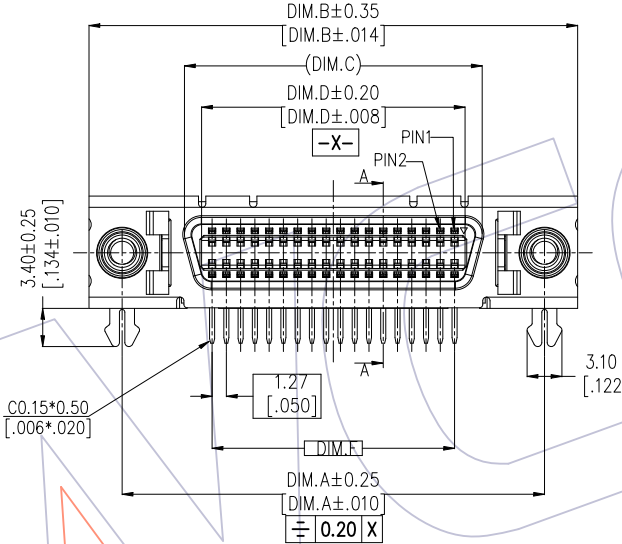
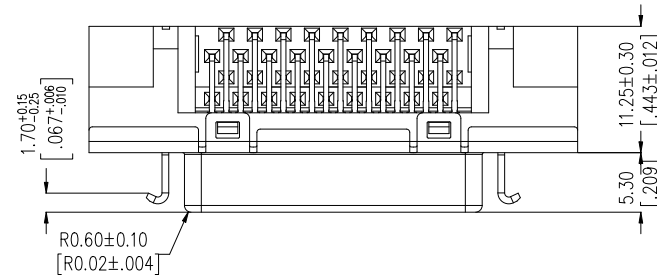
HSF

NOTES:

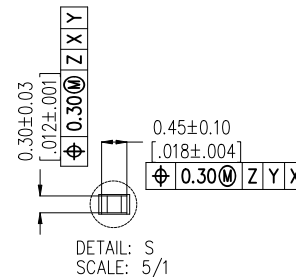
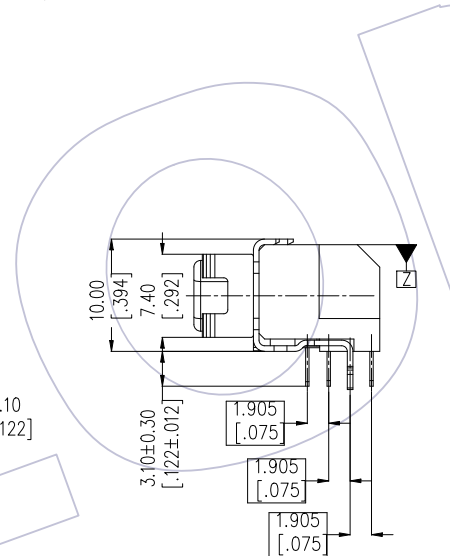
Current Rating: 0.5AMP/PIN
 Contact Resistance: 35mΩ Max
 Withstand Voltage: 500V AC/minute
 Insulation Resistance: 500MΩ Min
 Operation Temperature: -40°C to +105°C
 Screw Torque: 5.1Kgf.cm

Contact Material: Copper Alloy
 Contact plating:
 SX=XX u" Gold Plated On Contact Area
 (See Ordering Information),
 80u" Min Bright Tin Plated on Solder Tails Area,
 50u" Min Nickel Plated Overall
 Shell Material: SPCC
 Shell Plating: 80u" Min Ni
 Trip Material: SPCC
 Trip Plating: 100u" Min Ni
 Nut Insert Material: Copper Alloy
 Insulation Material: PBT, G.F UL94V-0, BLACK
 Cover Material: PBT, G.F UL94V-0, BLACK

Recommended Process:
 Wave Soldering, Peak temperature: 235±5°C, 5s.

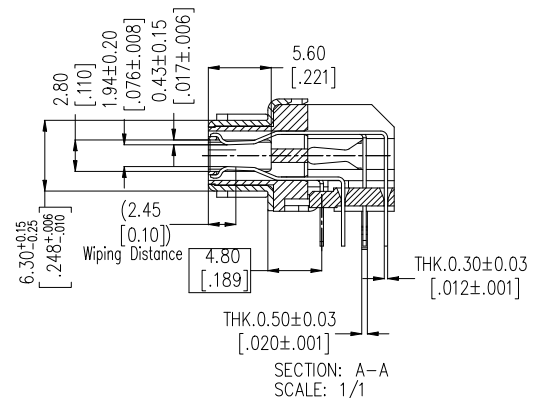
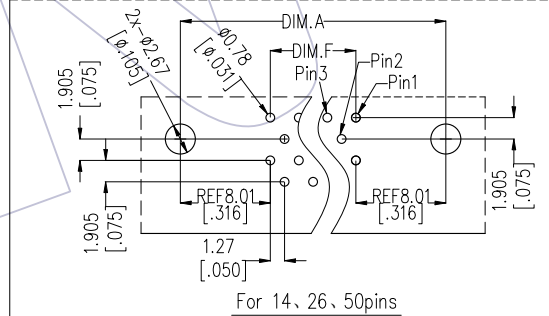
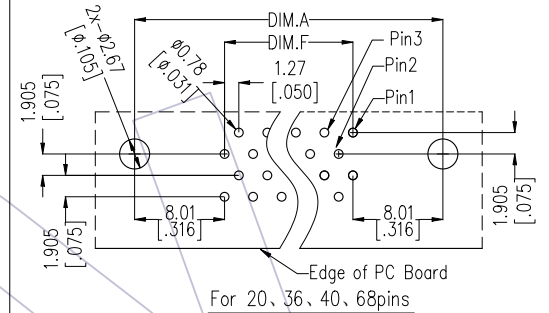


3D VIEW



DETAIL: S
 SCALE: 5/1

Recommended P.C.B Layout (Top Side)
 (PCB BOARD TOLERANCE ±0.05)
 PCB BOARD THICKNESS: 1.6~2.0



REV	DATE	MODIFICATION DESCRIPTION	CHANGE	OPERATION		DRAW Ken	DATE 2021/06/15	SCALE	FIT	PART NO. 6321M-XXXRDSXMWA01
				Angle	TOL					
A0	2021/06/15	NEW	Ken	x.x	±0.40	CHECK	DATE	UNIT	mm [inch]	TITLE: 1.27mm SCSI Connector, Female, 90° DIP, W/T Lock
				x.xx	±0.25					
				x.xxx	±0.15	APPROVE	DATE	SHEET	1/2	Customer NO.
				DIM						

WCON

Http: www.wcon.com

WCON-Dongguan	WCON-Kunshan
Tel: +86 769 85358920	Tel: +86 512 57468408
Fax: +86 769 85358915	Fax: +86 512 57468468
E-mail: sales@wcon.com	E-mail: salesks@wcon.com

HSF

Ordering Information

6321M - XXX R D SX M W A 01

SCSI Centronic
Type Female

No. of Pins

014=14P	036=36P
020=20P	050=50P
026=26P	068=68P
040=40P	

Product Type

R=R/A(90°)

Solder Type

D=DIP Type

Contact Plating

S1=3u" Gold Plated On Contact Area
S2=5u" Gold Plated On Contact Area
S3=10u" Gold Plated On Contact Area
S4=15u" Gold Plated On Contact Area
S5=30u" Gold Plated On Contact Area

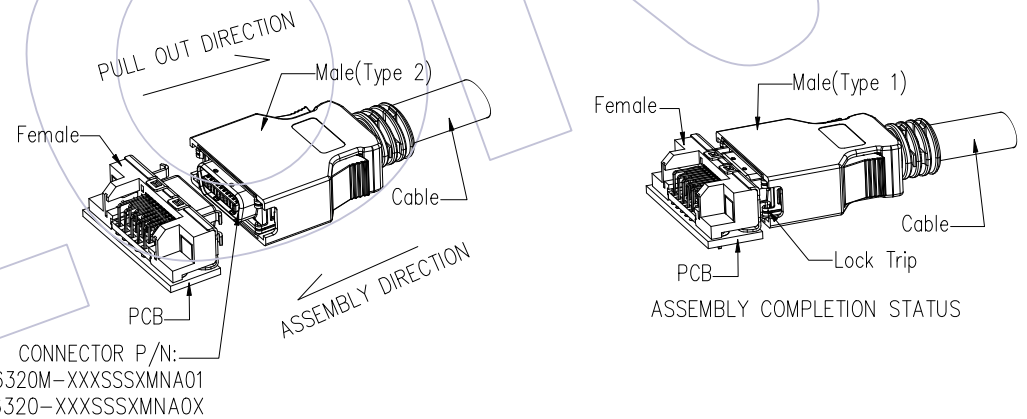
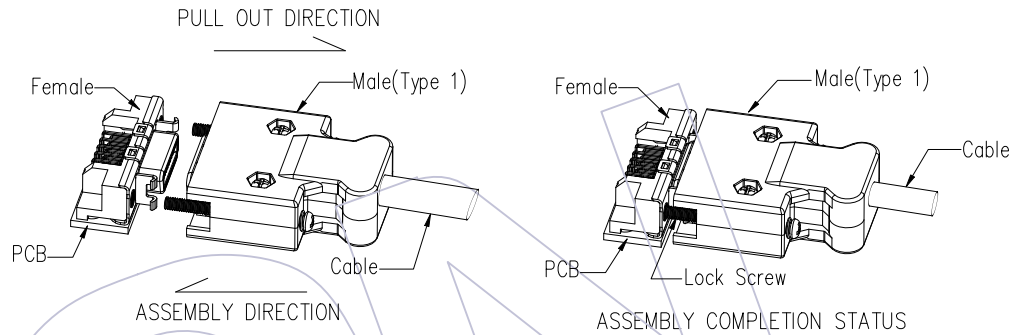
Series No.
01 ~ 99

Packing
A=Tray

Fixed Type
W= With Lock

Shielding Type
M= With Shell

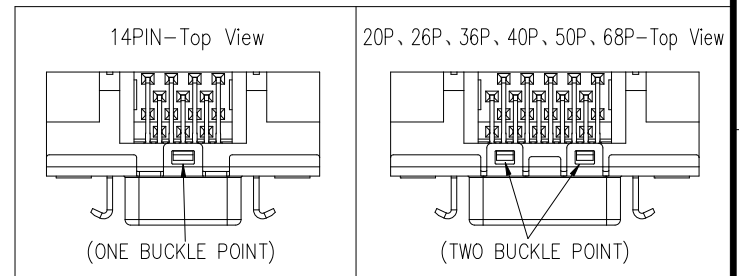
DYNAMIC USE HINT:



CONNECTOR P/N:
6320M-XXXSSSXMA01
6320-XXXSSSXMA0X

Pin No	DIM.A	DIM.B	DIM.C	DIM.D	DIM.E	DIM.F
14P	23.64	29.54	12.54	9.49	19.33	7.62
20P	27.45	33.35	16.35	13.30	23.14	11.43
26P	31.26	37.16	20.16	17.11	26.95	15.24
36P	37.61	43.51	26.51	23.46	33.30	21.59
40P	40.15	46.05	29.05	26.00	35.84	24.13
50P	46.50	52.40	35.40	32.35	42.19	30.48
68P	57.93	63.83	46.83	43.78	53.62	41.91

FEMALE ASSEMBLY	ADAPTATION MALE ASSEMBLY	
	TYPE 1-WITH SCREW	TYPE 2-WITH TRIP
6321M-XXXRDSXMWA01	6320M-XXXSSSXMA01/6320-XXXSSSXMA0X	
	+	
	6327M-XXXS00PX01	6326-XXXSSXXMNX0X



REV	DATE	MODIFICATION DESCRIPTION	CHANGE	OPERATION		DRAW Ken	DATE 2021/06/15	SCALE	FIT mm [inch]	PART NO. 6321M-XXXRDSXMWA01
				x.x	±0.40					
				x.xx	±0.25	CHECK	DATE	UNIT	A4	TITLE: 1.27mm SCSI Connector, Female, 90° DIP, W/T Lock
A0	2021/06/15	NEW	Ken	x.xxx	±0.15	APPROVE	DATE	SHEET	2/2	Customer NO.
				Angle	± 3°			PROJ.		



Http: www.wcon.com

WCON-Dongguan Tel: +86 769 85358920 Fax: +86 769 85358915 E-mail: sales@wcon.com	WCON-Kunshan Tel: +86 512 57468408 Fax: +86 512 57468468 E-mail: salesks@wcon.com
---	--