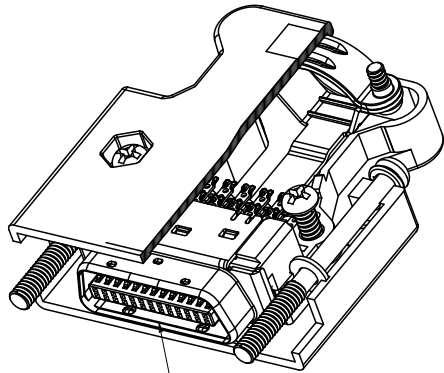
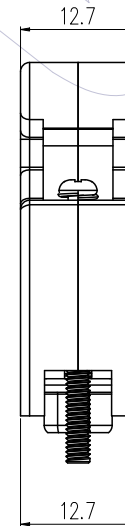
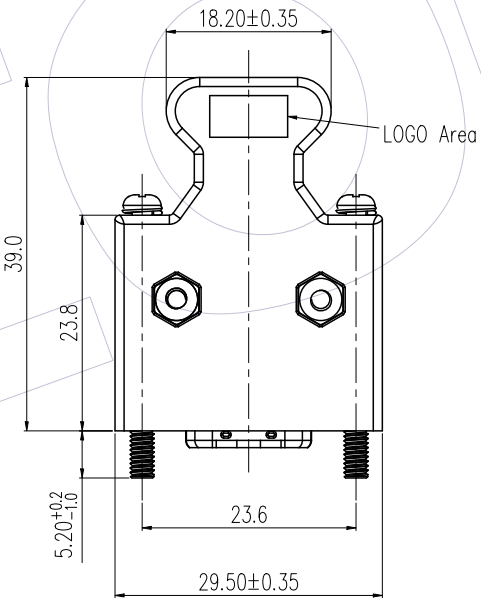
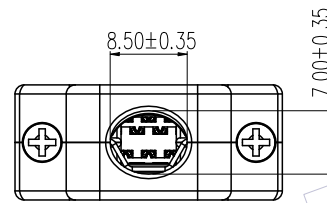


HSF



WCON CONNECTOR PN: 6320M-014SSXXMNA01



### Ordering Information

6327M- 014 S 00 P A 01 W

NO. of pins  
20P

Contact Plating  
00=NO contact

Shell material  
P=Plastic

Packing  
A=TRAY

LOGO  
Blank=Without  
W=WCON

REV	DATE	MODIFICATION DESCRIPTION	CHANGE	OPERATION		DRAW XSR	DATE 2019/11/21	SCALE	FIT	PART NO. 6327M-014S00PA01(W)
				Angle	± 3'					
				x.x	±0.40	CHECK		UNIT	mm	TITLE: 1.27mm SCSI MALE SHELL W/SCREW TYPE LOCK
				x.xx	±0.25			SIZE	A4	
				x.xxx	±0.15			SHEET	1/3	
						APPROVE	DATE	PROJ.	Customer NO.	

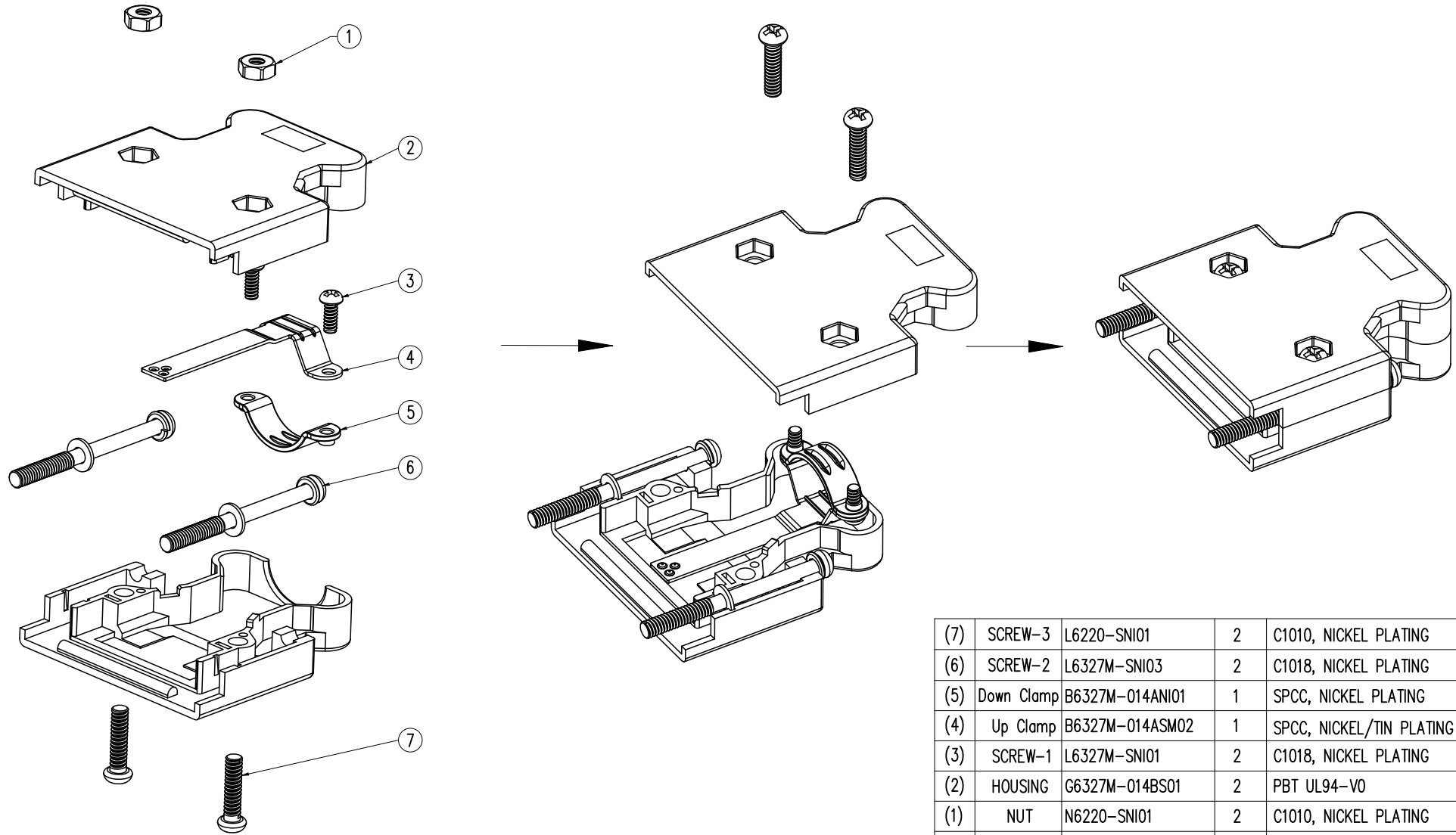
**WCON**

Http: www.wcon.com


WCON-Dongguan  
Tel: +86 769 85358920  
Fax: +86 769 85358915  
E-mail: sales@wcon.com

WCON-Kunshan  
Tel: +86 512 57468408  
Fax: +86 512 57468468  
E-mail: salesks@wcon.com

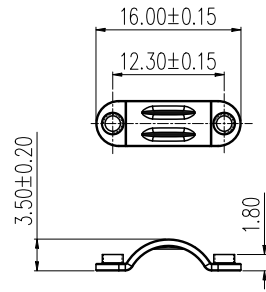
HSF



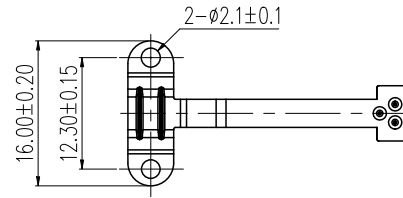
(7)	SCREW-3	L6220-SNI01	2	C1010, NICKEL PLATING
(6)	SCREW-2	L6327M-SNI03	2	C1018, NICKEL PLATING
(5)	Down Clamp	B6327M-014ANI01	1	SPCC, NICKEL PLATING
(4)	Up Clamp	B6327M-014ASM02	1	SPCC, NICKEL/TIN PLATING
(3)	SCREW-1	L6327M-SNI01	2	C1018, NICKEL PLATING
(2)	HOUSING	G6327M-014BS01	2	PBT UL94-V0
(1)	NUT	N6220-SNI01	2	C1010, NICKEL PLATING
ITEM	Description	P/N	QTY	Material

				OPERATION	DRAW	DATE	SCALE	FIT	PART NO.	 <a href="http://www.wcon.com">Http: www.wcon.com</a> WCON-Dongguan Tel: +86 769 85358920 WCON-Kunshan Tel: +86 512 57468408 Fax: +86 769 85358915 Fax: +86 512 57468468 E-mail: sales@wcon.com E-mail: salesks@wcon.com
				X.X ±0.40	XSR	2019/11/21	UNIT	mm	TITLE: 1.27mm SCSI MALE SHELL W/SCREW TYPE LOCK	
				X.XX ±0.25	CHECK	DATE	inch	A4		
AO	2019/11/21	NEW		X.XXX ±0.15	APPROVE	DATE	SHEET	2/3	Customer NO.	
REV	DATE	MODIFICATION DESCRIPTION	CHANGE	Angle ± 3'			PROJ.	⌀		
				DIM TOL						

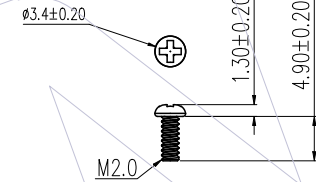
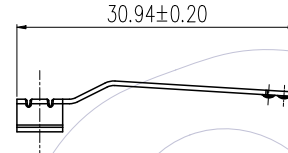
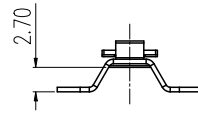
HSF



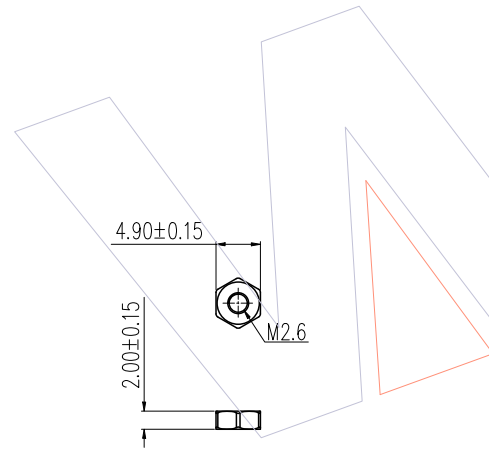
Down Clamp



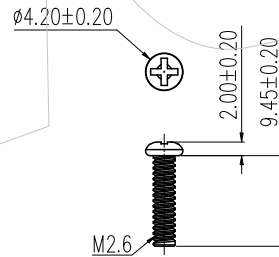
Up Clamp



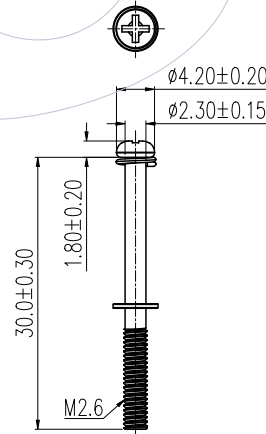
SCREW-1



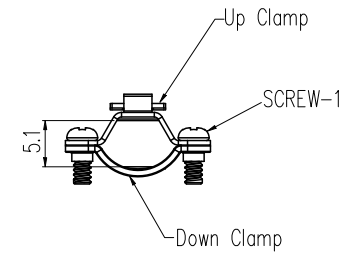
NUT



SCREW-3



SCREW-2



				OPERATION	DRAW	DATE	SCALE	FIT	PART NO. 6327M-014S00PA01(W)
				X.X ±0.40	XSR	2019/11/21	UNIT	mm	
				X.XX ±0.25	CHECK	DATE	SIZE	inch	TITLE:
				X.XXX ±0.15	APPROVE	DATE	SHEET	A4	1.27mm SCSI MALE SHELL
A0	2019/11/21	NEW		Angle ± 3°			PROJ.	3/3	W/SCREW TYPE LOCK
REV	DATE	MODIFICATION DESCRIPTION	CHANGE	DIM TOL					Customer NO.

**WCON**  
Http: www.wcon.com

WCON-Dongguan  
Tel: +86 769 85358920  
Fax: +86 769 85358915  
E-mail: sales@wcon.com

WCON-Kunshan  
Tel: +86 512 57468408  
Fax: +86 512 57468468  
E-mail: salesks@wcon.com