

HSF

NOTES:
Current Rating:0.5AMP
Contact Resistance:30mΩ max
Withstand Voltage:500V AC/DC
Insulation Resistance:100MΩ min
Operation Temperature:-20℃ to +105℃

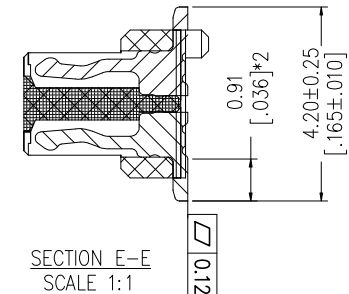
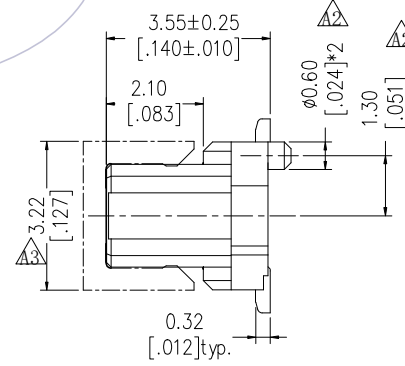
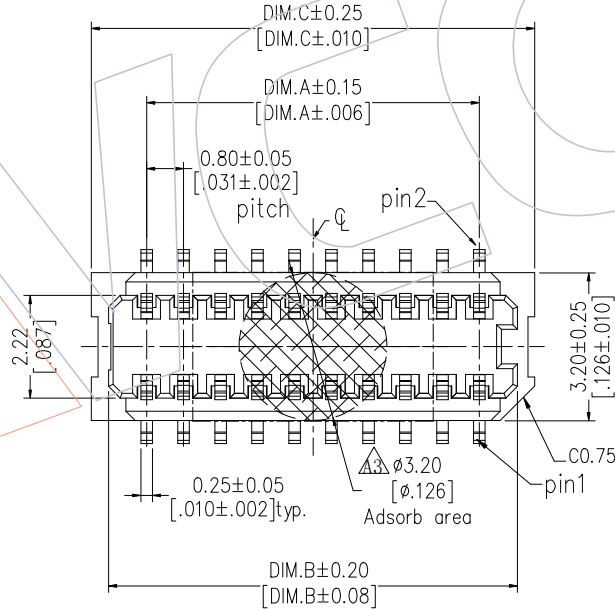
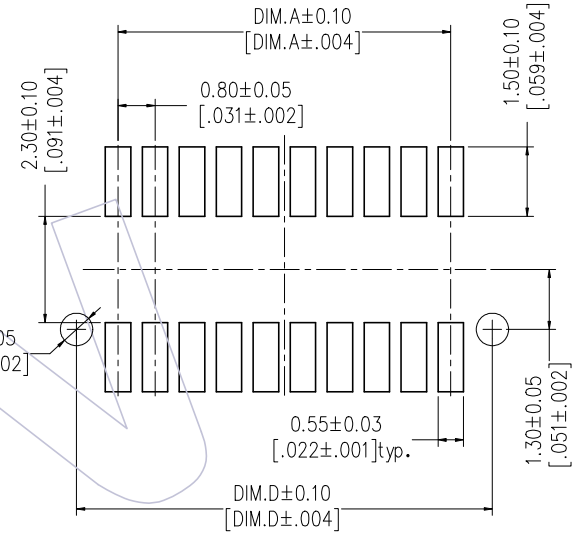
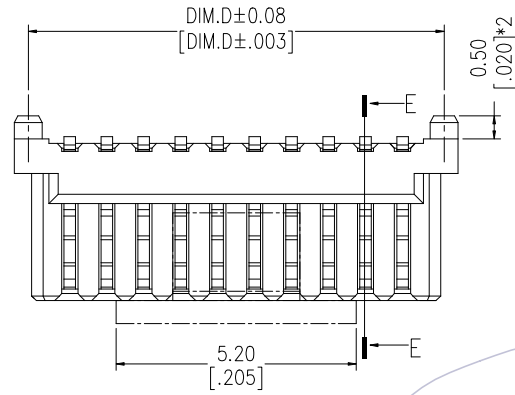
Contact Material:Phosphor Bronze
Housing Material:PA9T Natural(UL94V-0)
CAP Material:LCP Natural(UL94V-0)
Contact plating: Au or Sn over Ni

Ordering Information

3612-P **XXX** - **035** **XX** **R** **01**

No. of Pins Housing High Male=H1 Contact Plating
G1=3u"Gold T=Tube
G2=5u"Gold P=Tube+CAP
S1=3u"Gold/Tin R=Tape&Reel+CAP
S2=5u"Gold/Tin

Recommended P.C.B Layout (Top Side)
(PCB BOARD TOLERANCE ±0.05)

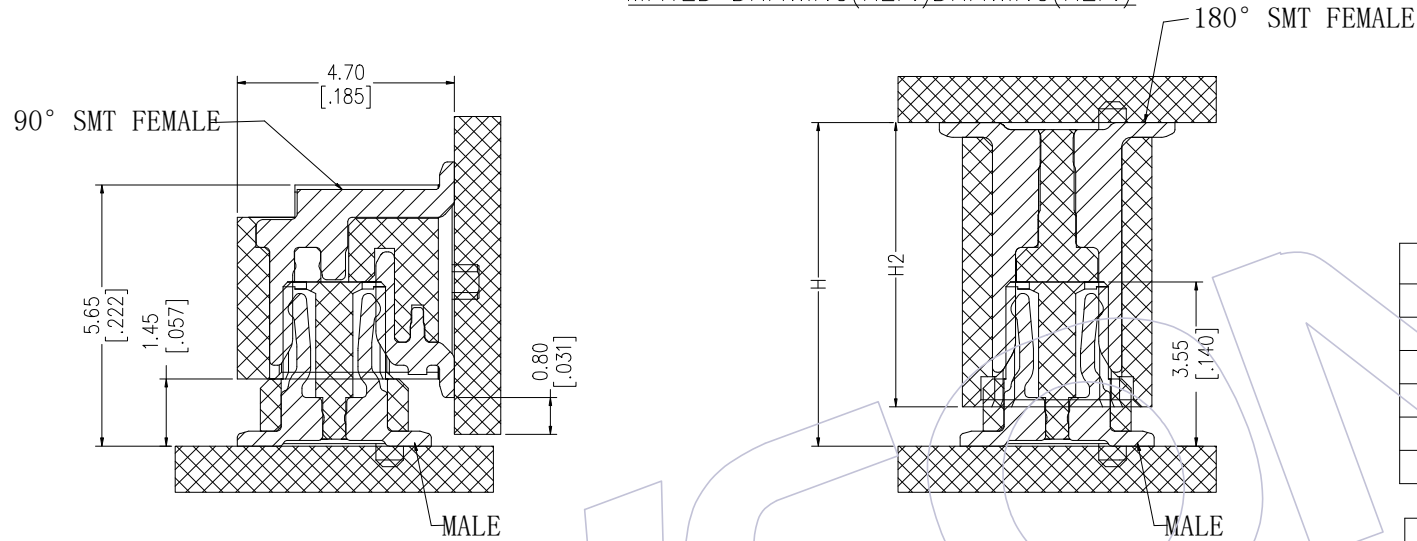


REV	DATE	MODIFICATION DESCRIPTION	CHANGE	OPERATION	DRAW	DATE	SCALE	FIT	PART NO.	TITLE:		 Http: www.wcon.com WCON-Dongguan Tel: +86 769 85358920 Fax: +86 769 85358915 E-mail: sales@wcon.com WCON-Kunshan Tel: +86 512 57468408 Fax: +86 512 57468468 E-mail: salesks@wcon.com	
A4	2022/09/24	Correct Layout	△△	OPERATION	DRAW XSR	2022/09/24	UNIT mm	mm	3612-PXXX-035XRR01 △△	0.80mm B TO B			Customer NO.
A3	2020/08/06	CHANGE THE CAP	△3	X.X ±0.40	CHECK	DATE	inch	inch		"M" MALE 180° SMT TYPE			
A2	2015/12/29	内柱位置:1.20 →1.30 OD大小:0.75 →0.60	△△	X.XX ±0.25	APPROVE	DATE	SIZE A4	A4					
A0	2013/03/22	NEW	—	X.XXX ±0.15			SHEET 1/2	1/2					
				Angle ± 3°			PROJ.	PROJ.					
				DIM TOL									

1 2 3 4 5 6 7 8 9 10

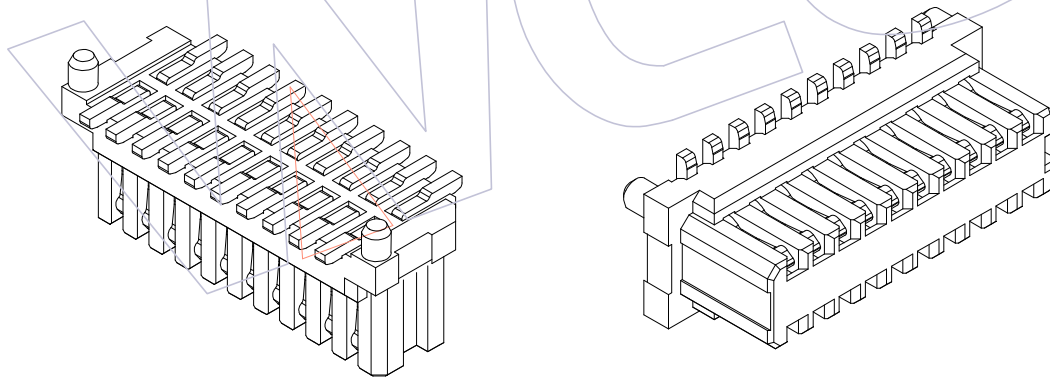
HSF

MATED DRAWING(REF.)DRAWING(REF.)



ASS'Y HEIGHT(H)	FEMALE(H2)	MALE(H1)
4.50	3.65	3.55
5.00	4.15	
5.65	4.70	
6.00	5.15	
6.50	5.65	
7.00	6.15	

21.00	21.60	20.85	19.20	50
17.00	17.60	16.85	15.20	40
16.20	16.80	16.05	14.40	38
15.40	16.00	15.25	13.60	36
14.60	15.20	14.45	12.80	34
13.80	14.40	13.65	12.00	32
13.00	13.60	12.85	11.20	30
12.20	12.80	12.05	10.40	28
11.40	12.00	11.25	9.60	26
10.60	11.20	10.45	8.80	24
9.80	10.40	9.65	8.00	22
9.00	9.60	8.85	7.20	20
8.20	8.80	8.05	6.40	18
7.40	8.00	7.25	5.60	16
6.60	7.20	6.45	4.80	14
5.80	6.40	5.65	4.00	12
5.00	5.60	4.85	3.20	10
DIM.D	DIM.C	DIM.B	DIM.A	PIN NO.



REV	DATE	MODIFICATION DESCRIPTION	CHANGE	DIM	TOL	OPERATION	DRAW	DATE	SCALE	FIT	PART NO.
A4	2022/09/24	Correct Layout	△			OPERATION	DRAW	DATE	SCALE	FIT	PART NO.
A3	2020/08/06	CHANGE THE CAP	△	X.X	±0.40		CHECK	DATE	UNIT	mm	3612-PXXX-035XXR01△
A2	2015/12/29	内柱位置:1.20 →1.30 OD大小:0.75→0.60	△	X.XX	±0.25				inch	A4	TITLE:
A0	2013/03/22	NEW	—	X.XXX	±0.15				SIZE	2/2	0.80mm B TO B
				Angle	± 3'	APPROVE			SHEET	PROJ.	"M" MALE 180° SMT TYPE
				DIM	TOL				PROJ.	Customer NO.	

WCON

Http: www.wcon.com

WCON-Dongguan Tel: +86 769 85358920
WCON-Kunshan Tel: +86 512 57468408
Fax: +86 769 85358915
E-mail: sales@wcon.com Fax: +86 512 57468468
E-mail: salesks@wcon.com