

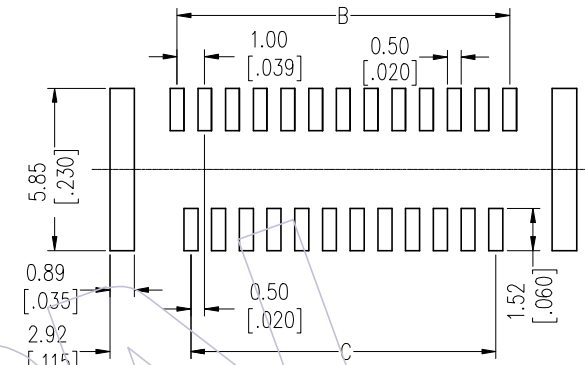
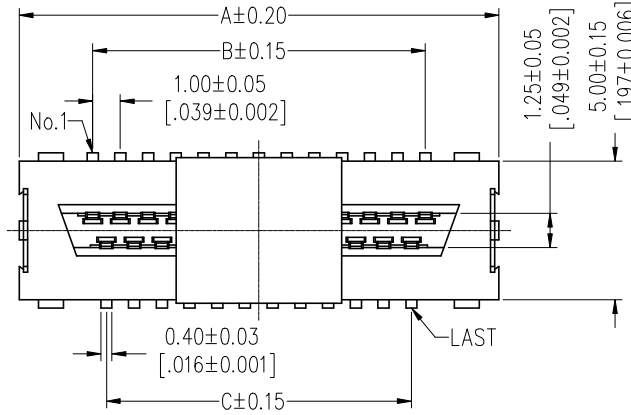
# HSF

## NOTES:

Current Rating: 1.0AMP  
 Contact Resistance: 30mΩ Max  
 Withstand Voltage: 500V AC  
 Insulation Resistance: 1000MΩ Min  
 Operation Temperature: -55℃ to +130℃

Contact Material: Phosphor Bronze  
 Contact plating: Au Or Sn over Ni  
 Insulator Material: LCP+30%G.F UL94V-0

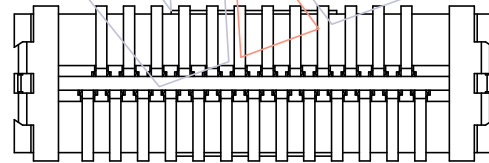
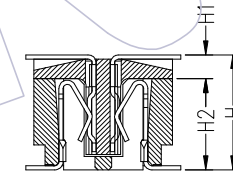
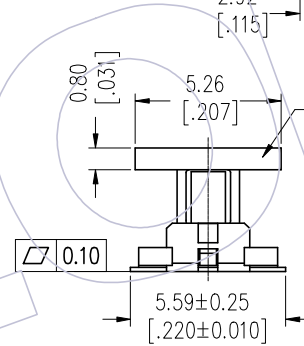
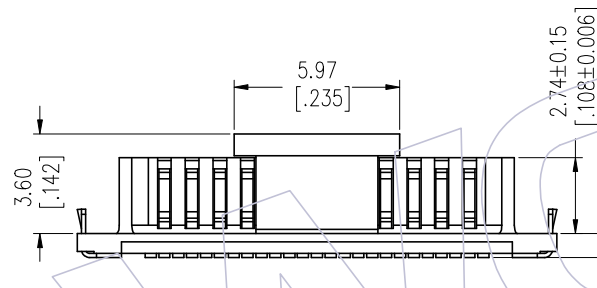
Recommended P.C.B Layout (Top Side)  
 (PCB BOARD TOLERANCE ±0.05)



## Ordering Information

3640-P XXX - XXX XX R 01

No. of Pins	High "H1"	Contact Plating	Packing
09-69P	0.86=008	S1=3u"Gold/Tin	T=Tube
	1.23=012	S3=10u"Gold/Tin	P=Tube+CAP
	1.73=017	S4=15u"Gold/Tin	R=Tape&Reel+CAP
	2.23=022	S5=30u"Gold/Tin	
	2.72=027		
	3.72=037		
	4.23=042		



H	H1	H2	Dimension			
			A	B	C	
Total High	Plug	Socket	09	9.30	4.00	3.00
4.15	0.86	3.28	11	10.30	5.00	4.00
4.50	1.23		15	12.30	7.00	6.00
5.00	1.73		21	15.30	10.00	9.00
5.50	2.23		25	17.30	12.00	11.00
6.00	2.72		31	20.30	15.00	14.00
7.00	3.72		41	25.30	20.00	19.00
7.52	4.23		51	30.30	25.00	24.00
			69	39.30	34.00	33.00

OPERATION	DRAW	DATE	SCALE	FIT	PART NO.
x.x ±0.40	DuYing	2020/08/25	UNIT	mm	3640-PXXX-XXXXXR01
x.xx ±0.25	CHECK	DATE	SIZE	A4	TITLE: 1.00mm B TO B SMT Type Plug H=2.10
x.xxx ±0.15	APPROVE	DATE	SHEET	1/1	Customer NO.
Angle ± 3'			PROJ.	⌀	
DIM TOL					

# WCON

Http: www.wcon.com

WCON-Dongguan  
 Tel: +86 769 85358920  
 Fax: +86 769 85358915  
 E-mail: sales@wcon.com

WCON-Kunshan  
 Tel: +86 512 57468408  
 Fax: +86 512 57468468  
 E-mail: salesks@wcon.com

REV	DATE	MODIFICATION DESCRIPTION	CHANGE
A1	2020/08/25	Modify	DuYing
A0	2012/11/22	NEW	JYHuang