

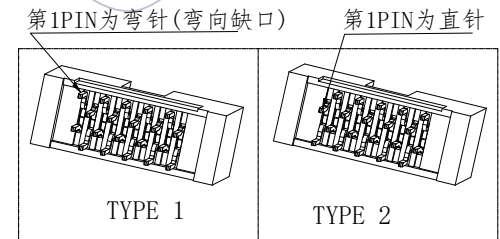
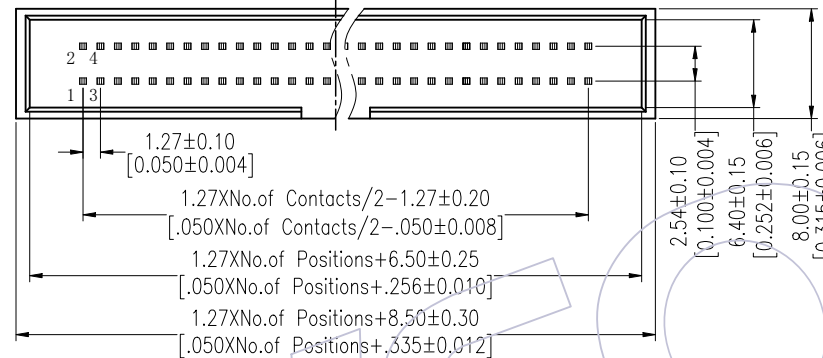
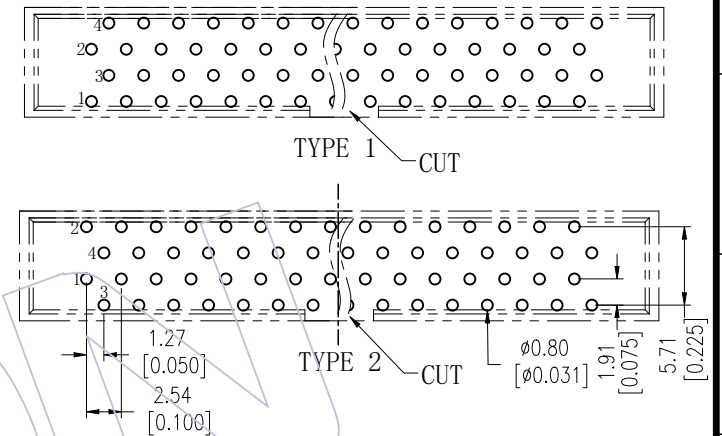
HSF

NOTES:

Current Rating: 1.0AMP
 Contact Resistance: 20mΩ Max
 Withstand Voltage: 500V AC/DC
 Insulation Resistance: 1000MΩ Min
 Operation Temperature: -40°C to +105°C

Contact Material: Brass
 Contact plating: Au Or Sn over Ni
 Insulator Material: PA9T+30%G.F UL94V-0

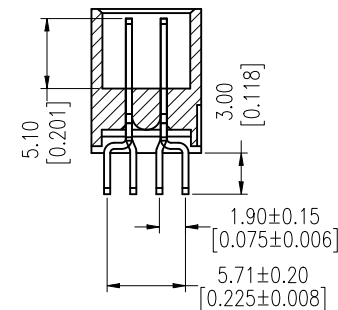
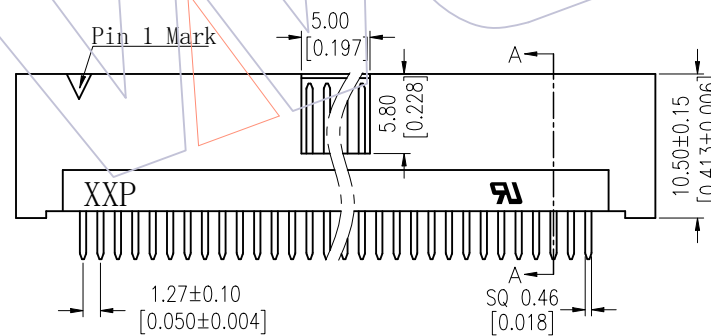
Recommended P.C.B Layout (Top Side)
 (PCB BOARD TOLERANCE ± 0.05)



Ordering Information

3141-XX S XX B K00 X X

No. of Pins	Contact Plating	Color Insulator	Packing	Series No.
10 34	G0=Gold Flash	B=Black	A=Tray	1=Type 1
14 40	G3=10u"Gold	W=White	T=Tube	2=Type 2
16 50	G4=15u"Gold			
20 60	G5=30u"Gold			
26 80	S0=Gold Flash/Tin			
30 100	S3=10u"Gold/Tin			
	S4=15u"Gold/Tin			
	S5=30u"Gold/Tin			
	SN=Tin			



Item	Pitch	Mating
Standard	1.27X2.54	5242
Alternate		

TITLE	PART NO.
TYPE 1	3141-XXXSXXBK00X1
TYPE 2	3141-XXXSXXBK00X2

OPERATION	DRAW	DATE	SCALE	FIT	PART NO.
x.x ±0.40	Tsingsn	2012/11/15	UNIT	mm	3141-XXXSXXBK00XX
x.xx ±0.25	CHECK	DATE	SIZE	A4	TITLE:
x.xxx ±0.15	APPROVE	DATE	SHEET	1/1	1.27x2.54 BOX HEADER
Angle ± 3'			PROJ.		H=10.5 FOUR ROW 180° DIP
DIM TOL					Customer NO.

WCON

Http: www.wcon.com

WCON-Dongguan Tel: +86 769 85358920 Fax: +86 769 85358915 E-mail: sales@wcon.com
 WCON-Kunshan Tel: +86 512 57468408 Fax: +86 512 57468468 E-mail: salesks@wcon.com

REV	DATE	MODIFICATION DESCRIPTION	CHANGE
A1	2012/11/15	modify	△
A0	2012/09/18	NEW	-----