

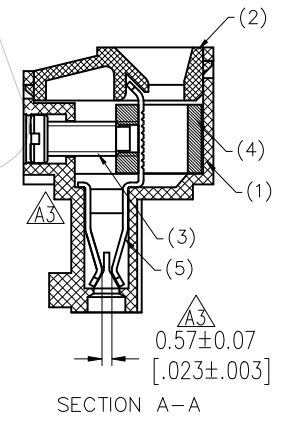
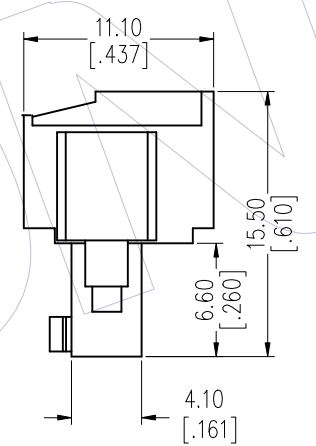
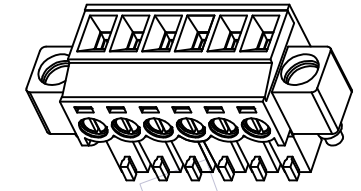
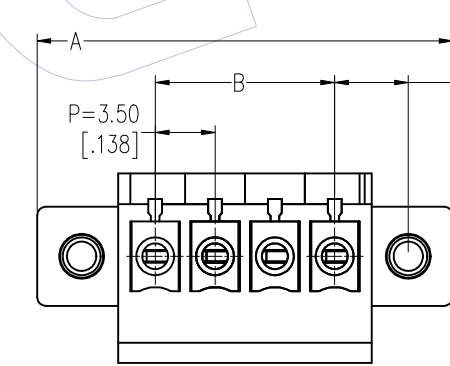
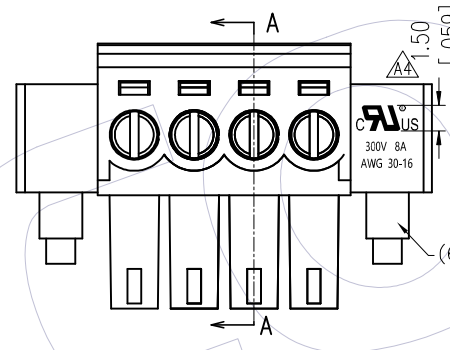
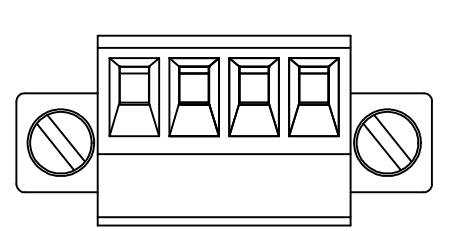
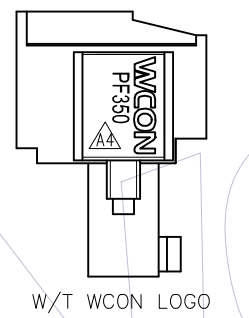
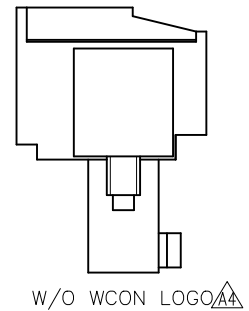
HSF

NOTES:
 Current Rating: 8A
 Voltage Rating: 300V
 Contact Resistance: 8milliohm Max
 Withstand Voltage: AC 1500V
 Insulation Resistance: 1000Megohm Min
 Screw Torque: 2 lbf.in
 Wire range: 16-30AWG
 Operation Temperature: -40°C to +105°C

Ordering Information:

P F 350 - C XX A SM W 1 N
 F=Female Pitch 350=3.50 No. of Pins 02-20P Contact Plated SM=Matte Tin Blank=W/T WCON Logo N=W/O WCON Logo
 Color A=Green Type W=With Screw

11P	48.80 ±0.30	35.00 ±0.30			
10P	45.30 ±0.30	31.50 ±0.30	20P	80.30 ±0.40	66.50 ±0.40
9P	41.80 ±0.30	28.00 ±0.30	19P	76.80 ±0.40	63.00 ±0.40
8P	38.30 ±0.20	24.50 ±0.20	18P	73.30 ±0.40	59.50 ±0.40
7P	34.80 ±0.20	21.00 ±0.20	17P	69.80 ±0.40	56.00 ±0.40
6P	31.30 ±0.20	17.50 ±0.20	16P	66.30 ±0.40	52.50 ±0.40
5P	27.80 ±0.20	14.00 ±0.20	15P	62.80 ±0.40	49.00 ±0.40
4P	24.30 ±0.20	10.50 ±0.20	14P	59.30 ±0.30	45.50 ±0.30
3P	20.80 ±0.20	7.00 ±0.20	13P	55.80 ±0.30	42.00 ±0.30
2P	17.30 ±0.20	3.50 ±0.10	12P	52.30 ±0.30	38.50 ±0.30
PIN	A	B	PIN	A	B



ITEM	TITLE	P/N	Q'TY	Material
(6)	Screw-2	MC025-1SZC01	2	C1018
(5)	Contact	TPT031-PSM001	N	C5191R-H T=0.3mm
(4)	Pin Block	BL020-1BNI01	N	C3604
(3)	Screw	MA020-1SXX01	N	C1018
(2)	Cover	XPC350-XXB1XN1	1	PA66 UL94-V0
(1)	Housing	XPF350-XXB1XW1(N)	1	PA66 UL94-V0

REV	DATE	MODIFICATION DESCRIPTION	CHANGE	OPERATION	DRAW	DATE	SCALE	FIT	PART NO.
A4	2020/07/28	ADD LOGO; ADD W/O LOGO P/N	AA	XSR	OPERATION	2020/07/28			PF350-CXXASMW1(N)
A3	2018/04/12	Modify Terminal; Add DIM.	A3	XSR	OPERATION				
A2	2015/07/15	Modify	A2		CHECK				
A0	2011/06/07	NEW			APPROVE				
REV	DATE	MODIFICATION DESCRIPTION	CHANGE	OPERATION	DRAW	DATE	SCALE	FIT	PART NO.

WCON
 Http: www.wcon.com
 WCON-Dongguan Tel: +86 769 85358920 Fax: +86 769 85358915 E-mail: sales@wcon.com
 WCON-Kunshan Tel: +86 512 57468408 Fax: +86 512 57468468 E-mail: salesks@wcon.com