

**NOTES:**

Current Rating:8A  
 Voltage Rating:300V  
 Contact Resistance:8milliohm Max  
 Withstand Voltage:AC 1500V  
 Insulation Resistance:1000Megohm Min  
 Operation Temperature:-40°C to +105°C

Housing Material:PA66+30%GF(UL94V-0)  $\Delta 3$   
 Contact Material:Brass  
 Inlay Material:Brass

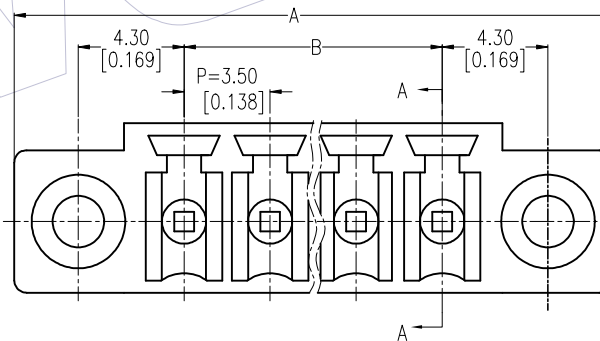
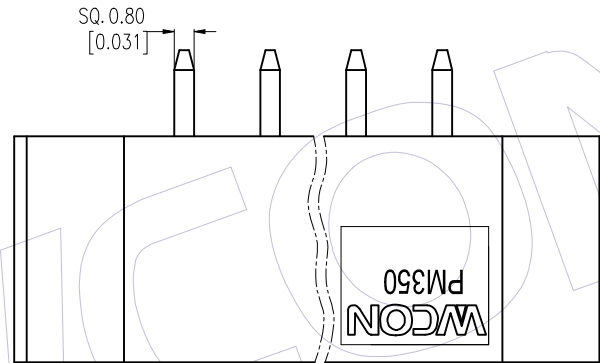
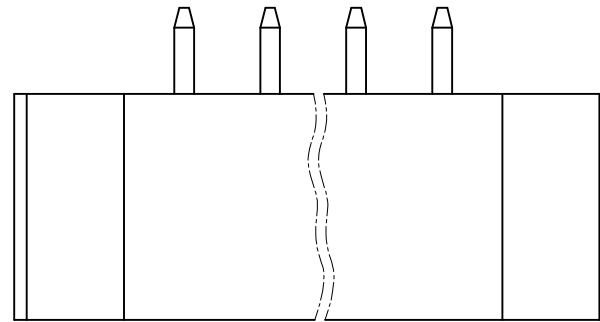
**Ordering Information:**

**P M 350 - 1 S XX A SM 2 N**

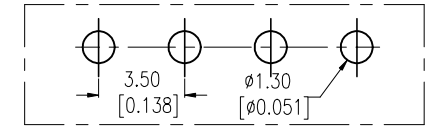
M=Male  
 Pitch 350=3.50  
 No.of Pins 02-20P  
 Color A=Green  
 Contact Plated SM=Matte Tin  
 Blank=W/T WCON  
 N=W/O WCON  
 Series No.

ITEM	Pitch	Mating
Standard	3.50	PF350
Alternate		

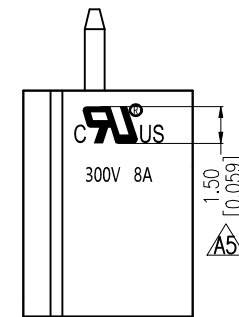
11P	48.80 ±0.30	35.00 ±0.30			
10P	45.30 ±0.30	31.50 ±0.30	20P	80.30 ±0.40	66.50 ±0.40
9P	41.80 ±0.30	28.00 ±0.30	19P	76.80 ±0.40	63.00 ±0.40
8P	38.30 ±0.20	24.50 ±0.20	18P	73.30 ±0.40	59.50 ±0.40
7P	34.80 ±0.20	21.00 ±0.20	17P	69.80 ±0.40	56.00 ±0.40
6P	31.30 ±0.20	17.50 ±0.20	16P	66.30 ±0.40	52.50 ±0.40
5P	27.80 ±0.20	14.00 ±0.20	15P	62.80 ±0.40	49.00 ±0.40
4P	24.30 ±0.20	10.50 ±0.20	14P	59.30 ±0.30	45.50 ±0.30
3P	20.80 ±0.20	7.00 ±0.20	13P	55.80 ±0.30	42.00 ±0.30
2P	17.30 ±0.20	3.50 ±0.10	12P	52.30 ±0.30	38.50 ±0.30
PIN	A	B	PIN	A	B



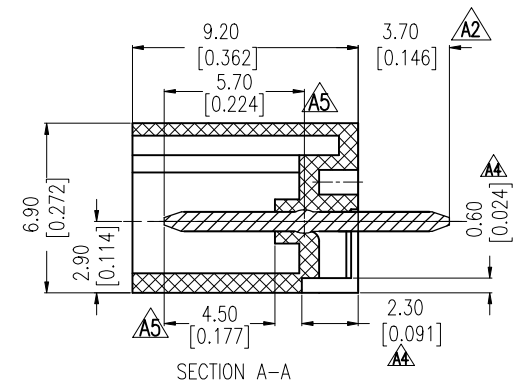
Recommended P.C.B Layout (Top Side)  
 (PCB BOARD TOLERANCE±0.05)



$\Delta 5$   
 W/O WCON



W/T WCON



REV	DATE	MODIFICATION DESCRIPTION	CHANGE	OPERATION	DRAW	DATE	SCALE	FIT	PART NO.
A5	2020/11/14	Add UL Logo & DIM;Add W/O WCON SPEC&P/N	$\Delta 5$	XSR	XSR	2020/11/14	UNIT	mm	PM350-1SXXASM2(N) $\Delta 1 \Delta 5$
A4	2018/03/12	Modify	$\Delta 4$	x.x	±0.40		SIZE	A4	TITLE: 3.50mm Pitch Male Pluggable Terminal Blocks
A3	2013/06/05	Modify The Housing Material	$\Delta 3$	x.xx	±0.25		SHEET	1/1	Customer NO.
A0	2011/06/07	NEW		x.xxx	±0.15		PROJ.		
				Angle	± 3'				
				DIM	TOL				

**WCON**

Http: www.wcon.com

WCON-Dongguan  
 Tel: +86 769 85358920  
 Fax: +86 769 85358915  
 E-mail: sales@wcon.com

WCON-Kunshan  
 Tel: +86 512 57468408  
 Fax: +86 512 57468468  
 E-mail: sales@wcon.com