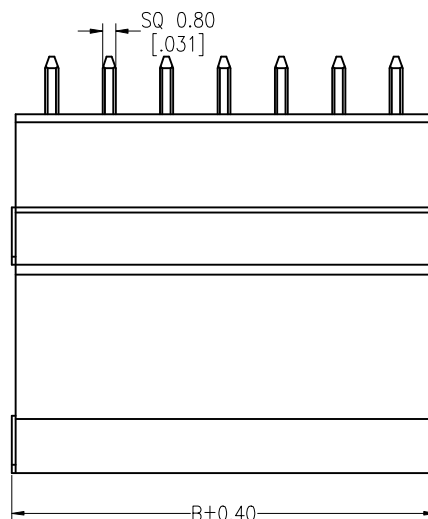


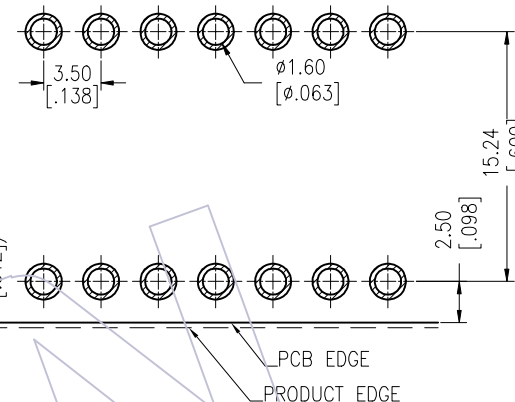
HSF

NOTES:

1. MATERIAL:
 - 1.1 HOUSING:PA66+30%GF(UL94V-0)
 - 1.2 COVER:PA66+30%GF(UL94V-0)
 - 1.3 TERMINAL:BRASS,MATTE TIN PLATED OVER NICKEL
2. ELECTRICAL:
 - 2.1 CURRENT RATING: 8 A
 - 2.2 VOLTAGE RATING: 300 V
 - 2.3 CONTACT RESISTANCE:8 mΩ MAX.
 - 2.4 DIELECTRIC WITHSTANDING VOLTAGE:2000V AC
 - 2.5 INSULATION RESISTANCE:1000 MΩ MIN
3. ENVIRONMENTAL:
 - 3.1 OPERATION TEMPERATURE:-40°C TO +105°C
4. No.OF POSITIONS:2~20
5. ALL MATERIALS SHOULD BE COMPLIANT TO ROHS



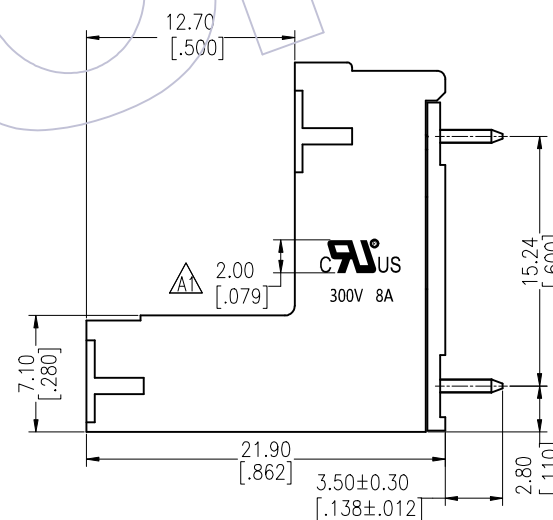
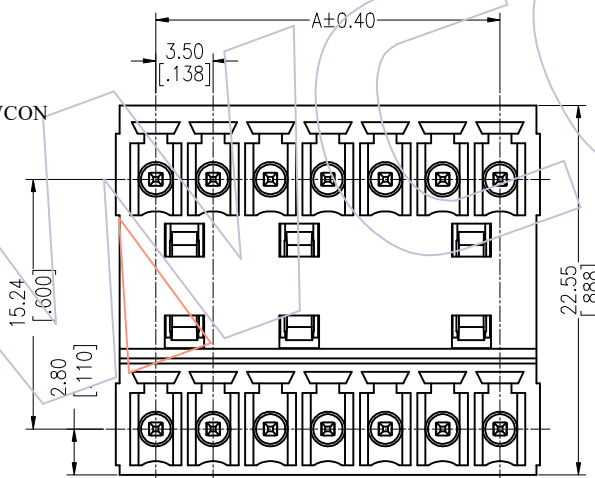
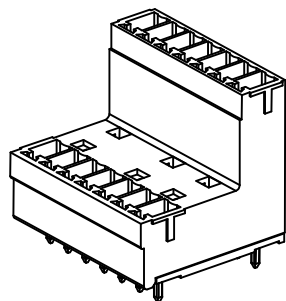
Recommended P. C. B Layout (Top Side)
(PCB BOARD TOLERANCE ±0.05)



Ordering Information:

P M 350 - 3 S XX A SM 1 N

M=Male
No. of Pins (Per Row) 02-20P
Pitch 350=3.50
Contact Plated SM=Matte Tin
Color A=Green
N=W/O WCON
Series No.



PIN	DIM.A	DIM.B
02	3.50	8.40
03	7.00	11.90
04	10.50	15.40
05	14.00	18.90
06	17.50	22.40
07	21.00	25.90
08	24.50	29.40
09	28.00	32.90
10	31.50	36.40
11	35.00	39.90
12	38.50	43.40
13	42.00	46.90
14	45.50	50.40
15	49.00	53.90
16	52.50	57.40
17	56.00	60.90
18	59.50	64.40
19	63.00	67.90
20	66.50	71.40

REV	DATE	MODIFICATION DESCRIPTION	CHANGE	OPERATION		DRAW	DATE	SCALE	FIT	PART NO.	TITLE:	WCON	
				X.X	±0.40							XSR	2020/11/19
A1	2020/11/19	ADD UL LOGO	XSR	X.XX	±0.25	CHECK	DATE	SIZE	A4	PM350-3SXXASM1N	3.50mm Pitch Male Pluggable Terminal Blocks With Double Stagger Tier	Tel: +86 769 85358920	Tel: +86 512 57468408
AO	2013/09/17	NEW	---	X.XXX	±0.15	APPROVE	DATE	SHEET	1/1	Customer NO.		Fax: +86 769 85358915	Fax: +86 512 57468468
				Angle	± 3'			PROJ.				E-mail: sales@wcon.com	E-mail: sales@wcon.com

WCON

Http: www.wcon.com

WCON-Dongguan
Tel: +86 769 85358920
Fax: +86 769 85358915
E-mail: sales@wcon.com

WCON-Kunshan
Tel: +86 512 57468408
Fax: +86 512 57468468
E-mail: sales@wcon.com