

HSF

NOTES:

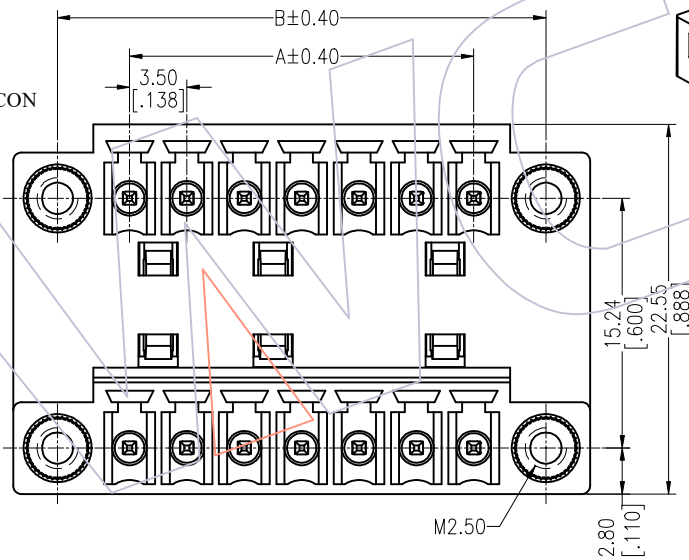
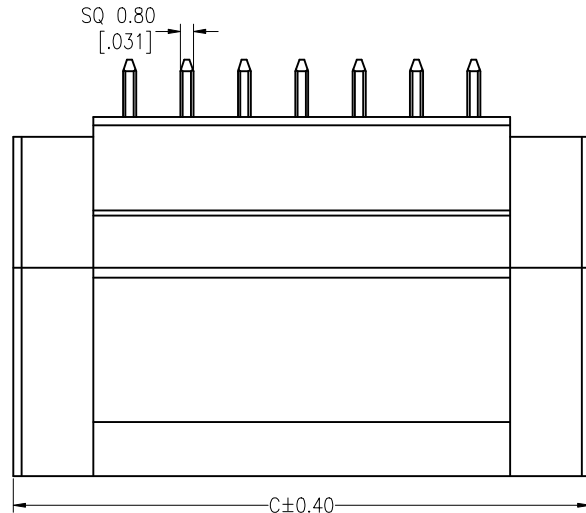
1. MATERIAL:
 - 1.1 HOUSING:PA66+30%GF(UL94V-0)
 - 1.2 COVER:PA66+30%GF(UL94V-0)
 - 1.3 TERMINAL:BRASS,MATTE TIN PLATED OVER NICKEL
2. ELECTRICAL:
 - 2.1 CURRENT RATING: 8 A
 - 2.2 VOLTAGE RATING: 300 V
 - 2.3 CONTACT RESISTANCE:8 m² MAX.
 - 2.4 DIELECTRIC WITHSTANDING VOLTAGE:2000V AC
 - 2.5 INSULATION RESISTANCE:1000 M² MIN
3. ENVIRONMENTAL:
 - 3.1 OPERATION TEMPERATURE:-40°C TO +105°C
4. No.OF POSITIONS:2~20
5. ALL MATERIALS SHOULD BE COMPLIANT TO ROHS

Ordering Information:

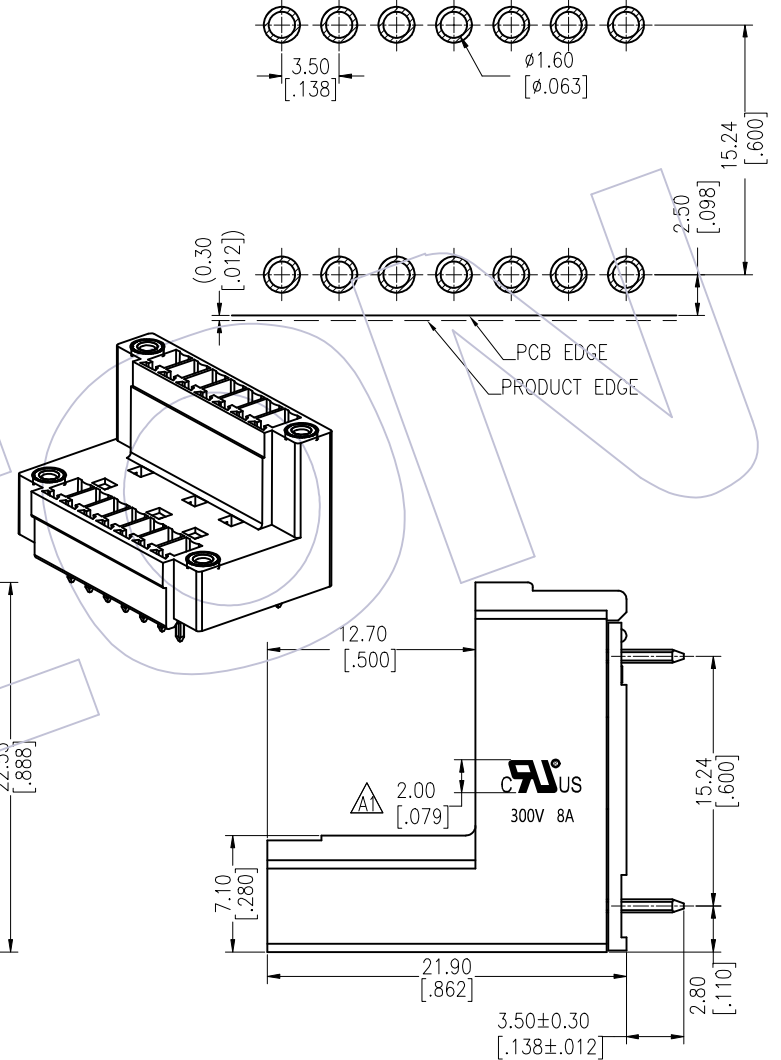
P M 350 - 3S XX A SM 2 N

M=Male
 No. of Pins (Per Row) 02-20P
 Contact Plated SM=Matte Tin
 N=W/O WCON
 Pitch 350=3.50
 Color A=Green
 Series No.

PIN	DIM.A	DIM.B	DIM.C	PIN	DIM.A	DIM.B	DIM.C
02	3.50	12.30	17.70	12	38.50	47.30	52.70
03	7.00	15.80	21.20	13	42.00	50.80	56.20
04	10.50	19.30	24.70	14	45.50	54.30	59.70
05	14.00	22.80	28.20	15	49.00	57.80	63.20
06	17.50	26.30	31.70	16	52.50	61.30	66.70
07	21.00	29.80	35.20	17	56.00	64.80	70.20
08	24.50	33.30	38.70	18	59.50	68.30	73.70
09	28.00	36.80	42.20	19	63.00	71.80	77.20
10	31.50	40.30	45.70	20	66.50	75.30	80.70
11	35.00	43.80	49.20				



Recommended P.C.B Layout(Top Side)
(PCB BOARD TOLERANCE±0.05)



OPERATION	DRAW	DATE	SCALE	FIT	PART NO.
x.X ±0.40	XSR	2020/11/19	mm	A4	PM350-3SXXASM2N
x.XX ±0.25	CHECK	DATE	inch		TITLE: 3.50mm Pitch Male Pluggable Terminal Blocks Double Stagger Tier W/T Flange
x.XXX ±0.15					Customer NO.
Angle ± 3'	APPROVE	DATE	SHEET 1/1		
DIM TOL			PROJ.		

REV	DATE	MODIFICATION DESCRIPTION	CHANGE
A1	2020/11/19	ADD UL LOGO	XSR
A0	2013/09/17	NEW	

WCON

Http: www.wcon.com

WCON-Dongguan Tel: +86 769 85358920
 WCON-Kunshan Tel: +86 512 57468408
 Fax: +86 769 85358915 Fax: +86 512 57468468
 E-mail: sales@wcon.com E-mail: salesks@wcon.com