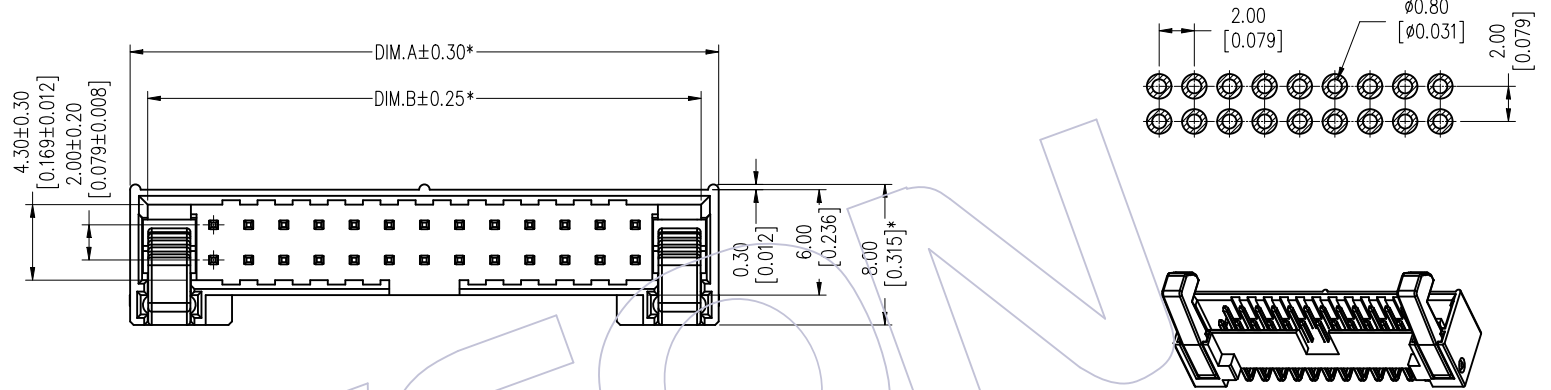


NOTES:  
 Rated Current:1.0AMP  
 Contact Resistance:20mΩ max  
 Withstand Voltage:500V AC/DC  
 Insulation Resistance:1000MΩ min  
 Operation Temperature:-40℃ to +105℃

Recommended P. C. B Layout (Top Side)  
 (PCB BOARD TOLERANCE ± 0.05)

Housing Material:PA9T+33%GF(UL94V-0)  
 Latch Material:PA9T+30%GF(UL94V-0)  
 Contact Material:Brass  
 Contact plating:Au or Sn over Ni Plated  
 Fixed Axle Material:Brass  
 Fixed Axle plating:Ni Plated

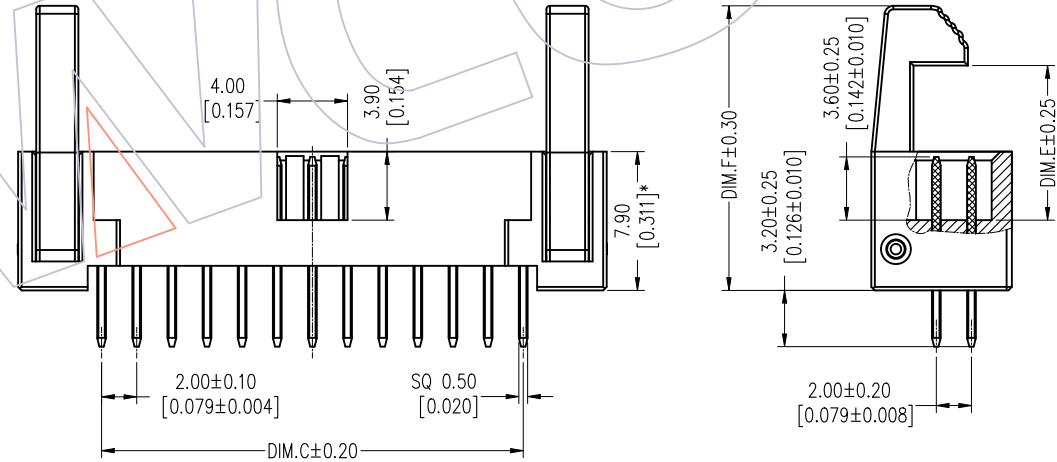


3D VIEW(REF.)  
 SCALE 1:2

### Ordering Information

3223 - XX S XX B X X 1

No. of Pins	Contact Plating	Insulator Color	Latch Type	Packing
10 30	G0=Gold Flash	B=Black	L=Long Latch	T=Tube
12 34	G1=3u"Gold		S=Short Latch	A=Tray
14 40	G2=5u"Gold			
16 44	G3=10u"Gold			
20 48	G4=15u"Gold			
22 50	G5=30u"Gold			
24 68	S0=Gold Flash/Tin			
26	S1=3u"Gold/Tin			
	S2=5u"Gold/Tin			
	S3=10u"Gold/Tin			
	S4=15u"Gold/Tin			
	S5=30u"Gold/Tin			
	SN=Tin			



PART NO.	DIM.E	DIM.F
3223-XXSXXBLX1	13.10	20.50
3223-XXSXXBSX1	8.80	16.20

No. Of POSITION	DIM. A	DIM. B	DIM. C
10	17.50	15.50	8.00
12	19.50	17.50	10.00
14	21.50	19.50	12.00
16	23.50	21.50	14.00
20	27.50	25.50	18.00
22	29.50	27.50	20.00
24	31.50	29.50	22.00
26	33.50	31.50	24.00
30	37.50	35.50	28.00
34	41.50	39.50	32.00
40	47.50	45.50	38.00
44	51.50	49.50	42.00
48	55.50	53.50	46.00
50	57.50	55.50	48.00
68	75.50	73.50	66.00

REV	DATE	MODIFICATION DESCRIPTION	CHANGE	OPERATION	DRAW	DATE	SCALE	FIT	PART NO.
A2	2019/04/18	MODIFY	---	X.X ±0.40	Ding	2019/04/18	UNIT mm	mm	3223-XXSXXBXX1
A1	2016/01/11	MODIFY DRAWING	---	X.XX ±0.25	CHECK	DATE	SIZE A4	A4	TITLE: 2.00 EJECTOR HEADER S/T
A0	2013/11/04	NEW	---	X.XXX ±0.15	APPROVE	DATE	SHEET 1/1	1/1	Customer NO.
				Angle ± 3°			PROJ.	◆	
				DIM TOL					

**WCON**  
 Http: www.wcon.com  
 WCON-Dongguan Tel: +86 769 85358920  
 WCON-Kunshan Tel: +86 512 57468408  
 Fax: +86 769 85358915  
 Fax: +86 512 57468468  
 E-mail: sales@wcon.com  
 E-mail: salesks@wcon.com