

HSF

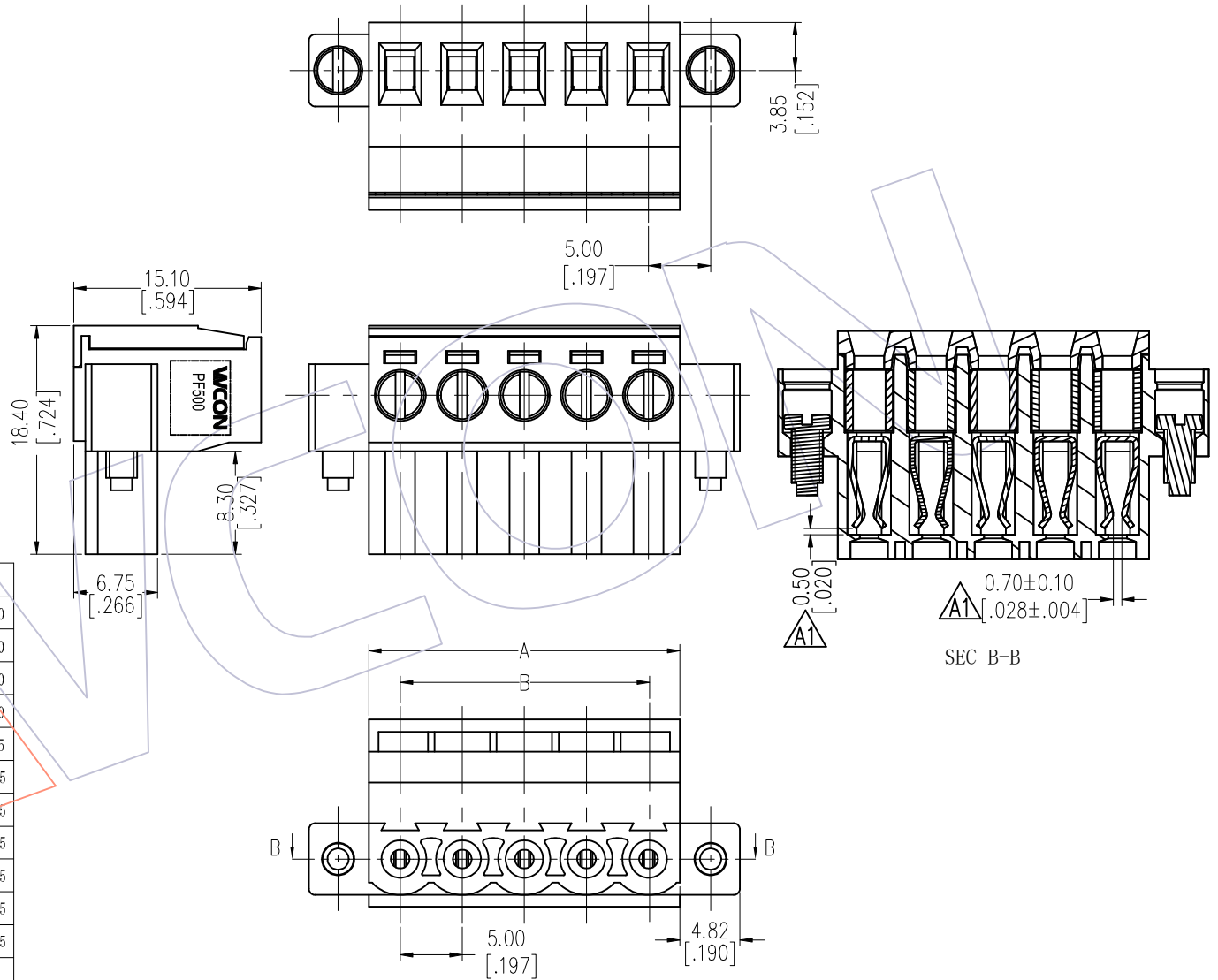
NOTES:
 Current Rating:10A
 Voltage Rating:300V
 Contact Resistance:20milliohm Max
 Withstand Voltage:AC2000V
 Insulation Resistance:1000Megohm Min
 Screw Torque: 4.4 lbf.in
 Wire range: 12-30AWG
 Operation Temperature:-40°C to +105°C

Housing Material:PA66 UL94V-0
 Cover Material:PA66 UL94-V0
 Screw:Steel
 Pin Block:Brass
 Contact:Phosphor Bronze

Ordering Information:

P F 500 - C XX A SM W 1
 F=Female Pitch 500=5.00 No. of Pins 02-24P Color A=Green Contact Plated SM=Matte Tin Type W=With Screw

13P	65.08 ±0.40	60.00 ±0.35			
12P	60.08 ±0.40	55.00 ±0.35	24P	120.08 ±0.40	115.00 ±0.40
11P	55.08 ±0.40	50.00 ±0.35	23P	115.08 ±0.40	110.00 ±0.40
10P	50.08 ±0.35	45.00 ±0.30	22P	110.08 ±0.40	105.00 ±0.40
9P	45.08 ±0.35	40.00 ±0.30	21P	105.08 ±0.40	100.00 ±0.40
8P	40.08 ±0.35	35.00 ±0.30	20P	100.08 ±0.40	95.00 ±0.35
7P	35.08 ±0.35	30.00 ±0.30	19P	95.08 ±0.40	90.00 ±0.35
6P	30.08 ±0.35	25.00 ±0.30	18P	90.08 ±0.40	85.00 ±0.35
5P	25.08 ±0.35	20.00 ±0.30	17P	85.08 ±0.40	80.00 ±0.35
4P	20.08 ±0.35	15.00 ±0.30	16P	80.08 ±0.40	75.00 ±0.35
3P	15.08 ±0.35	10.00 ±0.30	15P	75.08 ±0.40	70.00 ±0.35
2P	10.08 ±0.35	5.00 ±0.30	14P	70.08 ±0.40	65.00 ±0.35
PIN	A	B	PIN	A	B



REV	DATE	MODIFICATION DESCRIPTION	CHANGE	OPERATION	DRAW	DATE	SCALE	FIT	PART NO.
				X.X ±0.40	XSR	2019/05/19	UNIT	mm	PF500-CXXASMW1
				X.XX ±0.25	CHECK	DATE	SIZE	A4	
				X.XXX ±0.15			SHEET	1/2	5.00mm Pitch Female Pluggable Terminal Blocks
				Angle ± 3°	APPROVE	DATE	PROJ.	Customer NO.	
				DIM TOL					

Http: www.wcon.com
 WCON-Dongguan Tel: +86 769 85358920
 WCON-Kunshan Tel: +86 512 57468408
 Fax: +86 769 85358915 Fax: +86 512 57468468
 E-mail: sales@wcon.com E-mail: salesks@wcon.com