

# HSF

Current Rating: 3.0A  
 Voltage Rating: 32V  
 Insulation Resistance: 1000MΩ min 500V DC  
 Withstanding Voltage: 1000V  
 Operation Temperature: -20°C to +85°C  
 Insulation  
 Material: Glass Reinforced Thermoplastic Body & Lower  
 Cover, Transparent Thermoplastic Cover  
 Flammability: UL94V-0  
 Color: Black Body, Cover-White & Color (see Table 1)  
 Contact  
 Material: Copper Alloy  
 Plating  
 Underplating: 50-100u" Nickel  
 Wiping Area: Gold with Lubricant  
 IDC: 80-300u" Matte Tin  
 Wire Accomodation: Copper Alloy, 7-19 Bare  
 and Tinned Strands, 0.14-0.50mm<sup>2</sup>, 20-26AWG  
 Wire Insulation: Flexible Vinyl, Semi-Flexible  
 Vinyl, Polyethylene, or PTFE For approved cables

## Ordering Information

5373 - 2 03 SX XXX X X XX X

DOUBLE ROW

Pin  
03=3P

LOCK

N=W/O LOCK  
W=W/T LOCK

Series No.  
01-99

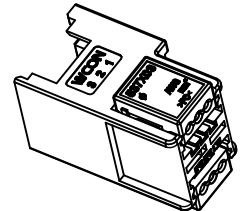
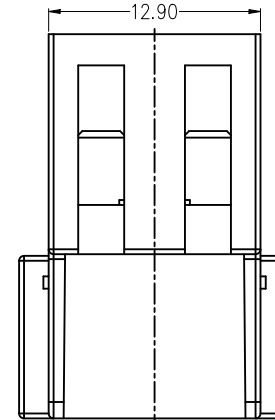
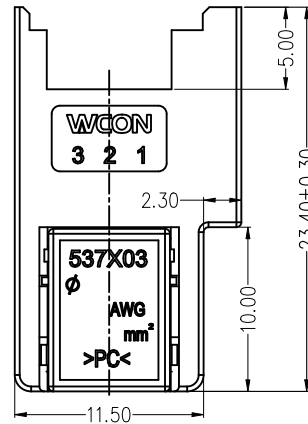
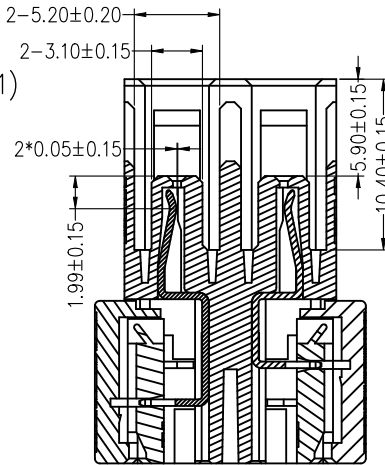
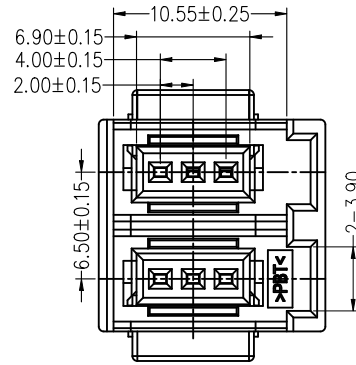
LOGO

NA  
W=With WCON LOGO  
M=Customer'S LOGO

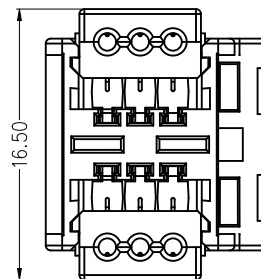
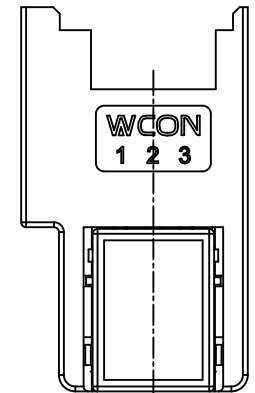
Terminal Plating  
S0=Gold Flash/Tin  
S1=3u"Gold/Tin  
S2=5u"Gold/Tin  
S3=10u"Gold/Tin  
S4=15u"Gold/Tin  
S5=30u"Gold/Tin

Cover Color  
U12=Blue  
G16=Gray  
E10=Green  
O12=Orange  
R08=Red  
Y10=Yellow

Packing  
T=Tube  
R=Tape&Reel  
A=Tray  
O=PE Bag



scale: 0.5:1



Wire OD	1.6~2.0	1.2~1.6	1.0~1.2	0.80~1.0
Wire Size	20-22AWG	20-22AWG	20-22AWG	
Cover Color	Gray	Blue	Green	
Wire Size		24-26AWG	24-26AWG	24-26AWG
Cover Color		Orange	Yellow	Red

REV	DATE	MODIFICATION DESCRIPTION	CHANGE	OPERATION	DRAW	DATE	SCALE	FIT	PART NO.
A0	2020/12/01	NEW	Kair	X.X ±0.40	Kair	2020/12/01	UNIT	mm	5373-203SXXXXX01X
				X.XX ±0.25	CHECK	DATE	inch	TITLE:	
				X.XXX ±0.15	APPROVE	DATE	SIZE	A4	2.0mm Mini Clamp Socket 6p No latch
				Angle ± 3°			SHEET	1/2	Customer NO.
				DIM TOL			PROJ.		

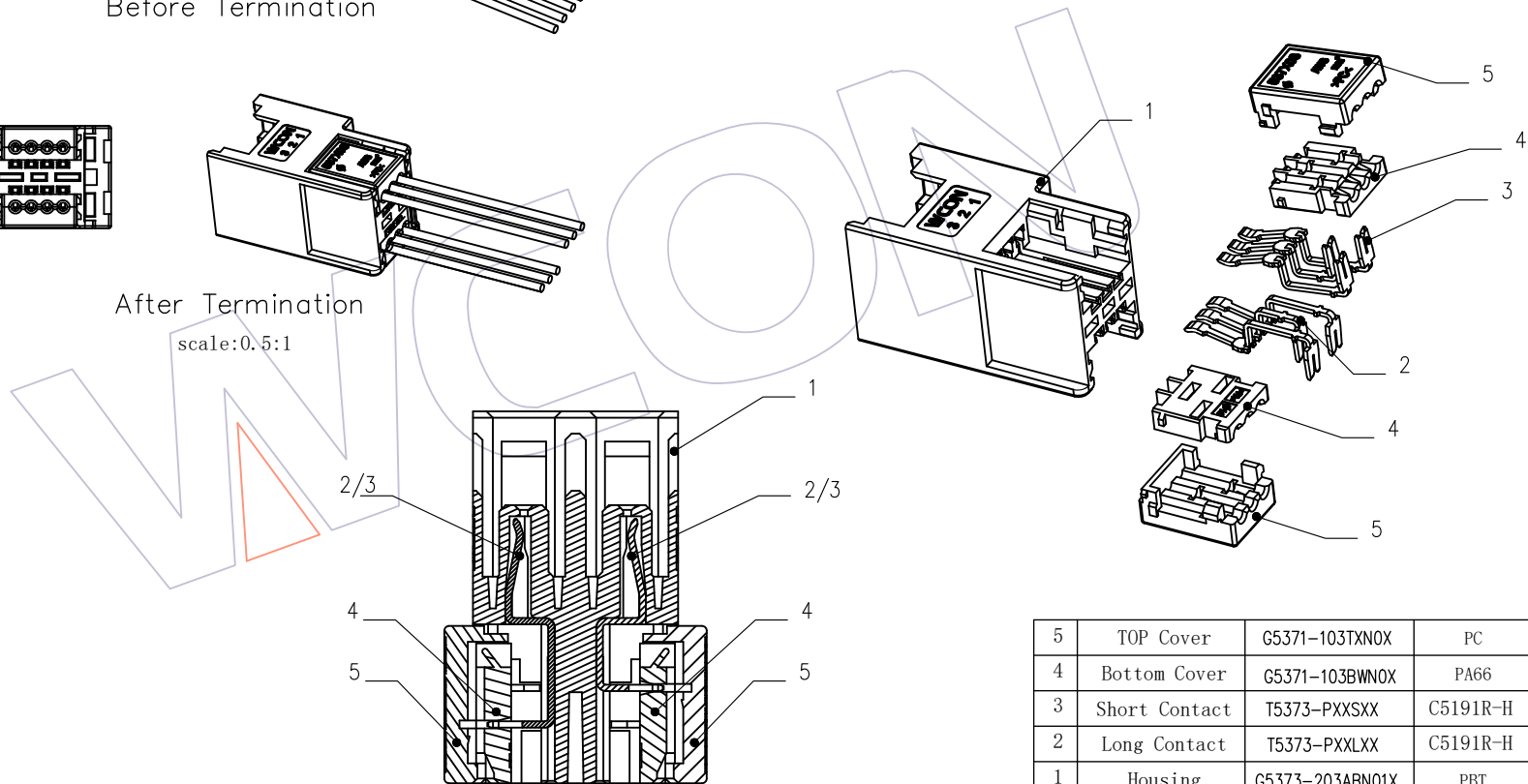
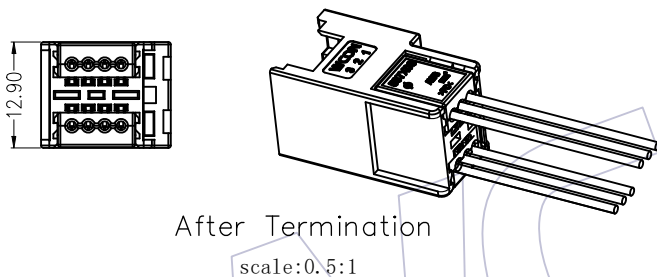
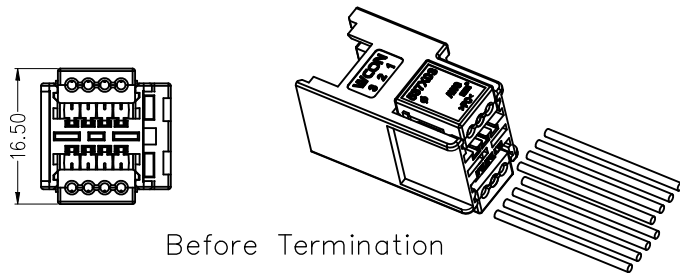
# WCON

Http: www.wcon.com

WCON-Dongguan  
Tel: +86 769 85358920  
Fax: +86 769 85358915  
E-mail: sales@wcon.com

WCON-Kunshan  
Tel: +86 512 57468408  
Fax: +86 512 57468468  
E-mail: salesks@wcon.com

# HSF



5	TOP Cover	G5371-103TXN0X	PC	2
4	Bottom Cover	G5371-103BWN0X	PA66	2
3	Short Contact	T5373-PXXSXX	C5191R-H	2
2	Long Contact	T5373-PXXLXX	C5191R-H	4
1	Housing	G5373-203ABN01X	PBT	1
No.	Part Name	Part No.	Material	Q' TY

REV	DATE	MODIFICATION DESCRIPTION	CHANGE	OPERATION	DRAW	DATE	SCALE	FIT	PART NO.
A0	2020/12/01	NEW	Kair	X.X ±0.40	Kair	2020/12/01	UNIT	mm inch	5373-203SXXXXX01X
				X.XX ±0.25	CHECK	DATE	SIZE	A4	TITLE:
				X.XXX ±0.15	APPROVE	DATE	SHEET	2/2	2.0mm Mini Clamp Socket 6p No latch
				Angle ± 3°			PROJ.	⌀	Customer NO.
				DIM TOL					

## WCON

Http: [www.wcon.com](http://www.wcon.com)

WCON-Dongguan  
Tel: +86 769 85358920  
Fax: +86 769 85358915  
E-mail: [sales@wcon.com](mailto:sales@wcon.com)

WCON-Kunshan  
Tel: +86 512 57468408  
Fax: +86 512 57468468  
E-mail: [salesks@wcon.com](mailto:salesks@wcon.com)