

# HSF

**NOTES:**

Current Rating:2A-AWG24#.  
 (Two by one contact energized,  
 AT 30°C Rise, Room Temp21.0°C)  
 Voltage Rating:250V/AC  
 Contact Resistance:20mΩ Max.  
 Withstand Voltage:1000V AC For 1Minute  
 Insulation Resistance:1000MΩ Min.  
 Applicable Wire:AWG#24-#30  
 Operation Temperature:-40°C to +105°C  
 Insulator Material:PBT,G.F,UL94V-0,  
 Black

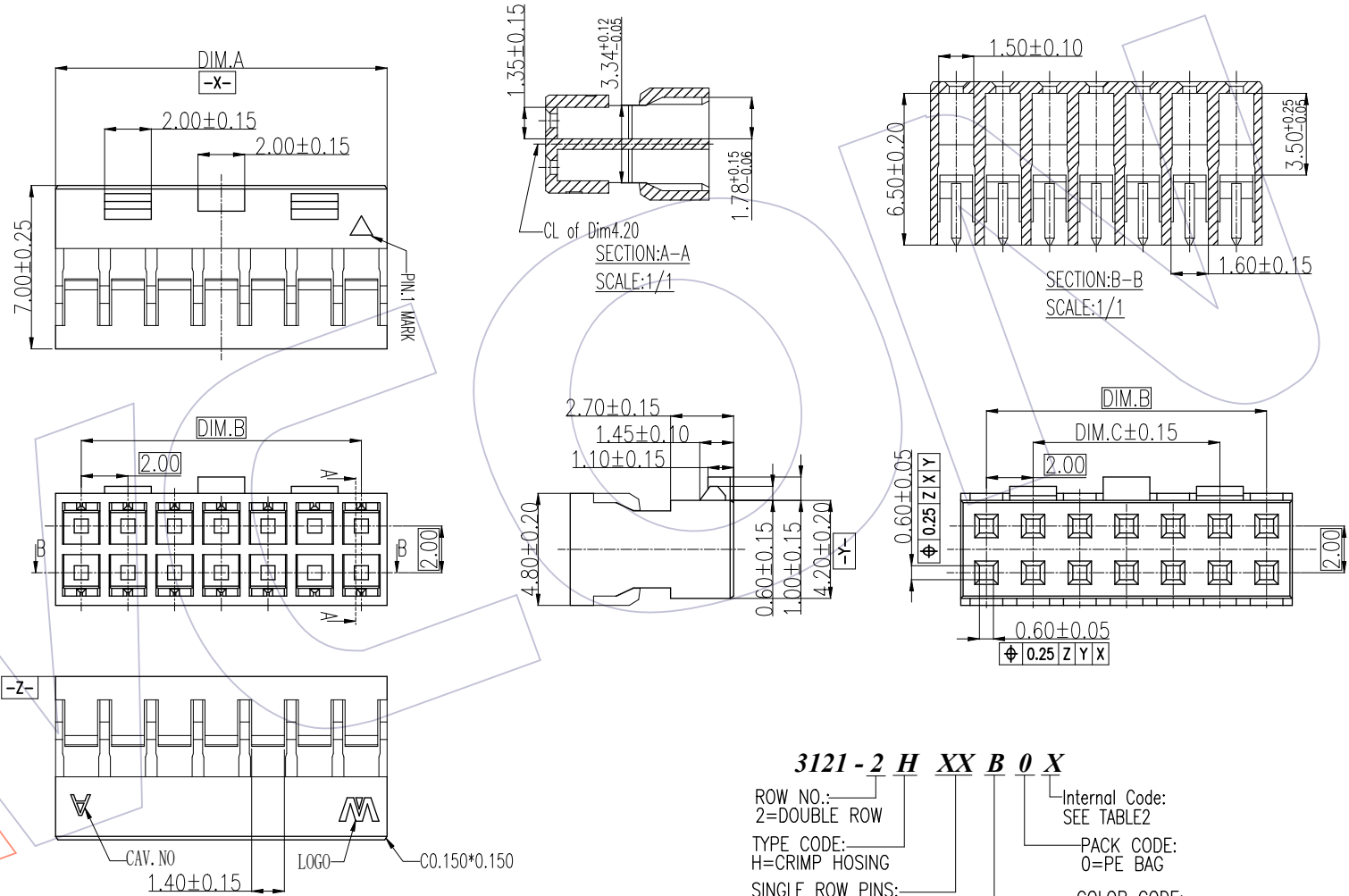


Table3:

Adaptation Terminal
3121-TPXXOX
3121-3TPSXOX

**3121-2 H XX B 0 X**

ROW NO.: 2=DOUBLE ROW  
 TYPE CODE: H=CRIMP HOUSING  
 SINGLE ROW PINS: 02~25pin  
 Internal Code: SEE TABLE2  
 PACK CODE: 0=PE BAG  
 COLOR CODE: B=BLACK

				OPERATION	DRAW	DATE	SCALE	Fit	PART NO.
				x.x ±0.40	Andrey	2022/05/26	UNIT	mm	3121-2HXXBOX
				x.xx ±0.25	CHECK	DATE	SIZE	A4	TITLE:
				x.xxx ±0.15	APPROVE	DATE	SHEET	1/3	2.00mm Housing 'M' TYPE W/T Center Polarization and side latch
A0	2022/05/26	NEW RELEASE	Andrey	Angle ± 3°			PROJ.	Customer NO.	
REV	DATE	MODIFICATION DESCRIPTION	CHANGE	DIM TOL					

**WCON**

Http: www.wcon.com

WCON-Dongguan Tel: +86 769 85358920 Fax: +86 769 85358915 E-mail: sales@wcon.com  
 WCON-Kunshan Tel: +86 512 57468408 Fax: +86 512 57468468 E-mail: salesks@wcon.com

# HSF

TABLE.2:

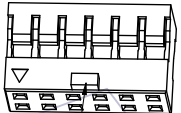
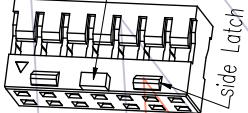

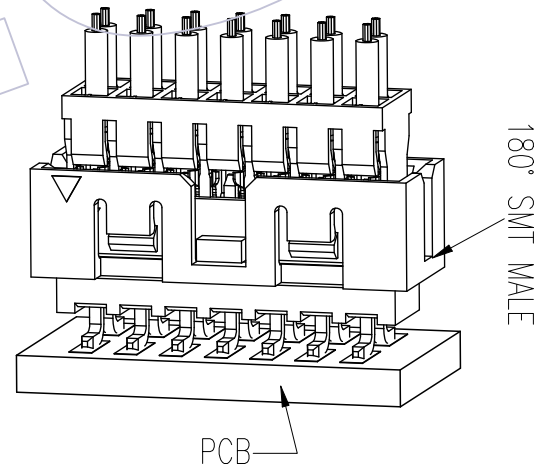
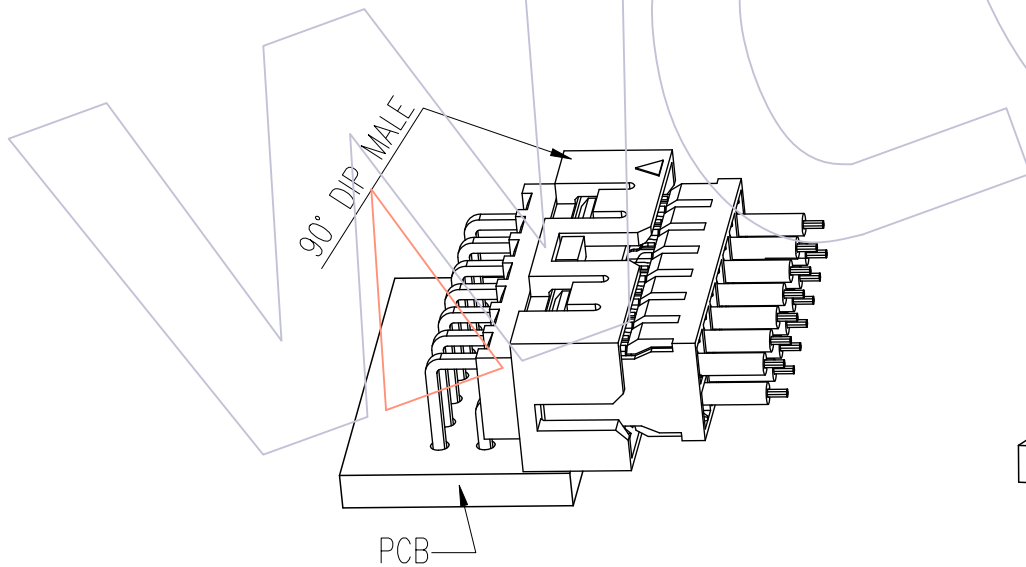
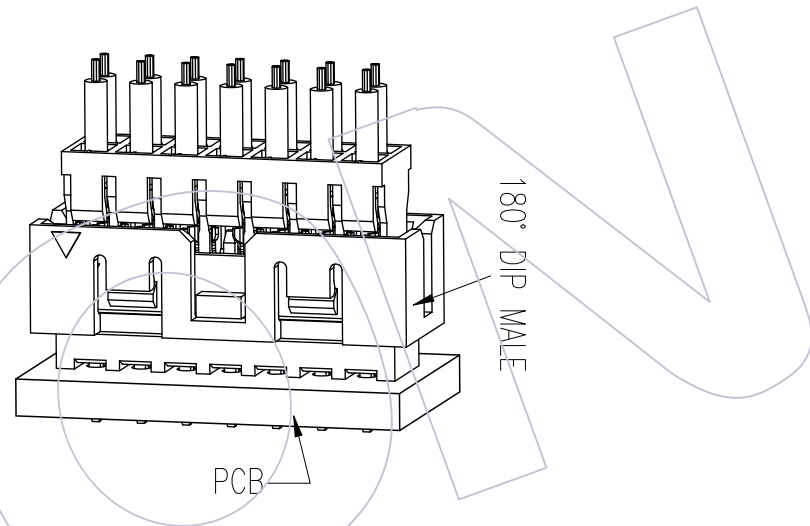
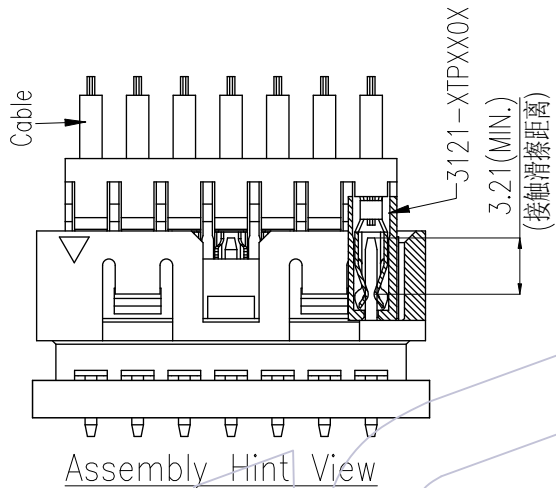
Part NO.	Feature	Pin No
3121-2HXXB01	 Center Polarization	2*2P,2*3P,2*4P.....2*25P
3121-2HXXB02	 Center Polarization Side Latch	2*7P,2*3P,2*4P.....2*25P

Table.1:

PIN NO	DIM.	DIM.A&TOL.		DIM.B	DIM.C	PIN NO	DIM.	DIM.A&TOL.		DIM.B	DIM.C
4P(2*2P)	4.20	±0.15		2.00		30P(2*15P)	30.20	±0.30		28.00	24.00
6P(2*3P)	6.20			4.00		32P(2*16P)	32.20			30.00	26.00
8P(2*4P)	8.20			6.00		34P(2*17P)	34.20			32.00	28.00
10P(2*5P)	10.20			8.00		36P(2*18P)	36.20			34.00	30.00
12P(2*6P)	12.20	±0.20		10.00		38P(2*19P)	38.20			36.00	32.00
14P(2*7P)	14.20			12.00	8.00	40P(2*20P)	40.20			38.00	34.00
16P(2*8P)	16.20			14.00	10.00	42P(2*21P)	42.20			40.00	36.00
18P(2*9P)	18.20			16.00	12.00	44P(2*22P)	44.20			42.00	38.00
20P(2*10P)	20.20			18.00	14.00	46P(2*23P)	46.20			44.00	40.00
22P(2*11P)	22.20			20.00	16.00	48P(2*24P)	48.20			46.00	42.00
24P(2*12P)	24.20			22.00	18.00	50P(2*25P)	50.20			48.00	44.00
26P(2*13P)	26.20			24.00	20.00						
28P(2*14P)	28.20	26.00	22.00								

				OPERATION	DRAW	DATE	SCALE	Fit	PART NO.	 <a href="http://www.wcon.com">Http: www.wcon.com</a> WCON-Dongguan      WCON-Kunshan Tel: +86 769 85358920      Tel: +86 512 57468408 Fax: +86 769 85358915      Fax: +86 512 57468468 E-mail: sales@wcon.com      E-mail: salesks@wcon.com
				x.X    ±0.40	Andrey	2022/05/26	UNIT	mm	3121-2HXXB0X	
				x.XX   ±0.25	CHECK	DATE	SIZE	A4	TITLE:	
				x.XXX ±0.15	APPROVE	DATE	SHEET	2/3	2.00mm Housing 'M' TYPE W/T Center Polarization and side latch	
A0	2022/05/26	NEW RELEASE	Andrey	Angle   ± 3°			PROJ.	☉	Customer NO.	
REV	DATE	MODIFICATION DESCRIPTION	CHANGE	DIM    TOL						

# HSF



				Operation	Draw	Date	Scale	FIT	Part No.
				x.X ±0.40	Andrey.yang	2022/05/26	Unit	mm	3121-2HXXBOX
				x.XX ±0.35	Check	Date	Size	A4	Title:
A0	2022/05/26	NEW RELEASE	Andrey.yang	x.XXX ±0.15	Approve	Date	Sheet	3/3	2.00mm Housing 'M' TYPE W/T Center Polarization and side latch
Rev	Date	Modifcation scription	Change	Angle ± 3°			PROJ.	⌀	Customer No.
				DIM	TOL				

## WCON

Http: [www.wcon.com](http://www.wcon.com)

WCON-Dongguan	WCON-Kunshan
Tel: +86 769 85358920	Tel: +86 512 57468408
Fax: +86 769 85358915	Fax: +86 512 57468468
E-mail: <a href="mailto:sales@wcon.com">sales@wcon.com</a>	E-mail: <a href="mailto:salesks@wcon.com">salesks@wcon.com</a>