

# HSF

**NOTES:**

- 1.Voltage Rating:125V AC/DC;
- 2.Withstand Voltage: 1000V AC;
- 3.Insulation Resistance: 100MΩ Min;
- 4.Operating Temperature: -40°C to +125°C;
- 5.Insulator Material:  
PBT,G.F,UL94V-O,BK;

Matching parts	
Housing	Wiring terminal
WD2000-1HXXX001X	WD3500-TP28SN01
	WD3500-TP30SN01
	WD3500-3TP28S401
	WD3500-3TP30S401

## Ordering Information

WD2000-1 H XX B 0 01 X

1=Single Row

H=HOUSING

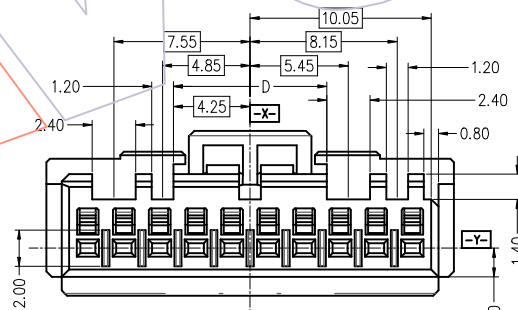
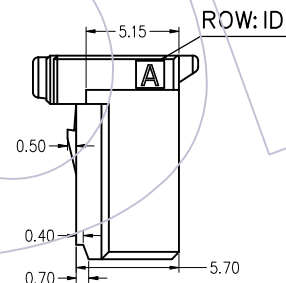
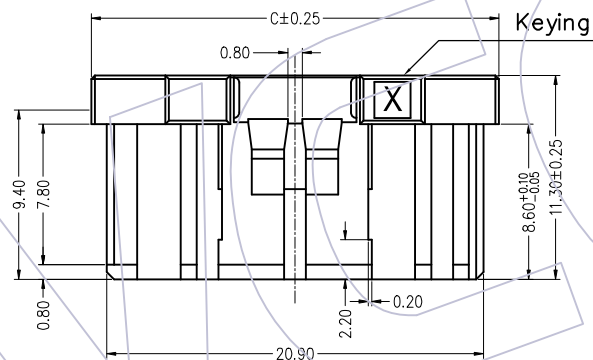
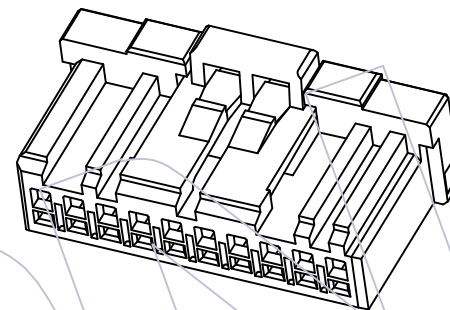
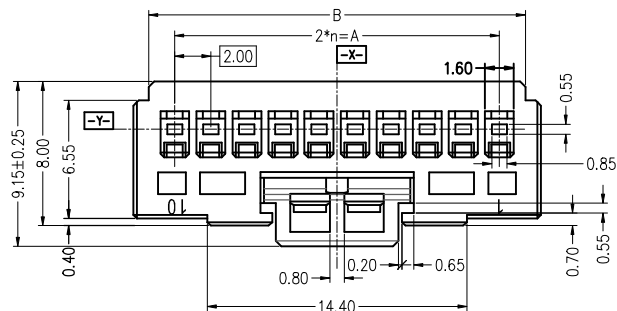
No.of Pins of single row:  
04=4P; 08=8P; 10=10P;

Color:  
B=Black;

PACKING:PE Bag

X Fool-proofing =01

W: With logo  
blank:without logo



WD2000-1H10B002X	10	Y	9	18.0	20.9	22.6	8.5
WD2000-1H10B001X	10	X	9	18.0	20.9	22.6	8.5
WD2000-1H08B002X	8	Y	7	14.0	16.9	18.6	8.5
WD2000-1H08B001X	8	X	7	14.0	16.9	18.6	8.5
WD2000-1H04B002X	4	Y	3	6.0	8.9	10.6	7.7
WD2000-1H04B001X	4	X	3	6.0	8.9	10.6	7.7
P/N	PIN	KEY	n	A	B	C	D

REV	DATE	MODIFICATION DESCRIPTION	CHANGE	OPERATION		DRAW	DATE	SCALE	FIT	PART NO.	TITLE:	WCON	
				X.X	±0.40							kevin-xin	2023.08.02
A0	2023.08.02	Add the cable terminal material number		X.XX	±0.25	CHECK	DATE	SIZE	A4	WD2000-1HXXX0X1 (W)	2.0mm Dyn.TYPE Single Row Socket Housing	WCON-Dongguan	WCON-Kunshan
1	2022.04.20	NEW		X.XXX	±0.15	APPROVE	DATE	SHEET	1/3	Customer NO.		Tel: +86 769 85358920	Tel: +86 512 57468408
REV	DATE	MODIFICATION DESCRIPTION	CHANGE	Angle	± 3°			DIM	TOL			PROJ.	Customer NO.