

HSF

NOTES:
 Current Rating:5A
 Voltage Rating:250V/AC
 Contact Resistance:20mΩ Max.
 Withstand Voltage:1500V AC
 Insulation Resistance:100MΩ Min.
 Operation Temperature:-40°C to +125°C

Insulator Material:LCP,UL94V0,BLACK
 Contact Material:Copper Alloy
 Contact plating:
 Gold plated 0.38um Min in located area over Nickel
 Tin plated 2.0um Min in all over product

Ordering Information

WD 350 0-2 WR XX XX BT XX W

Pitch Code:
 350= 3.50mm

Type Code:
 0= Series

Bay number:
 2=2 Row

Type :
 WR= 90° DIP

Pin NO;
 04=4PIN 06=6Pin 08=8Pin
 11=11PIN 15=15Pin 19=19Pin

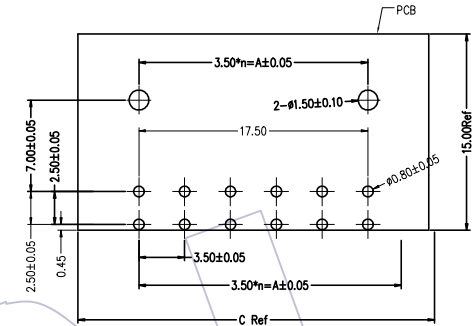
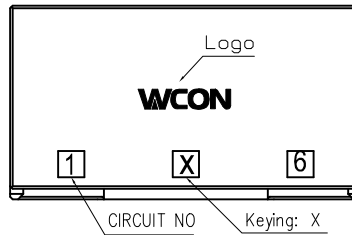
Contact Plating:
 W4=Sel.15U" Au/Matte Sn
 SN=Sn plated

Wcon Logo:
 W= With LOGO
 Blank: without logo

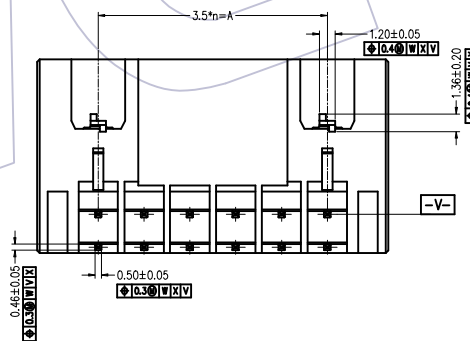
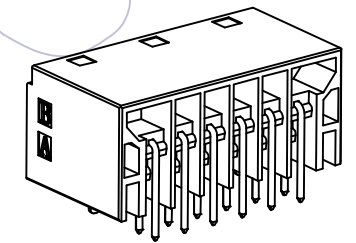
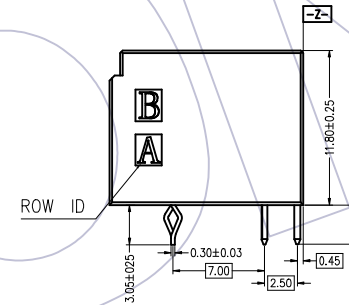
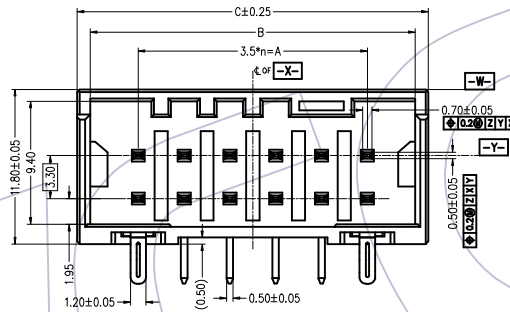
01= X Fool-proofing
 02= Y Fool-proofing

Packing:
 T=Tube

Housing Colour
 B=Black



Recommended P.C.B Layout(Top Side)
 (PCB BOARD THICKNESS 1.0~1.6±0.05)



12P
 X-KEY

WD3500-2WR19XXBT01(W)	38	X	18	63.0	70.3	72.3
WD3500-2WR19XXBT02(W)	38	Y	18			
WD3500-2WR15XXBT01(W)	30	X	14	49.0	56.3	58.3
WD3500-2WR15XXBT02(W)	30	Y	14			
WD3500-2WR11XXBT01(W)	22	X	10	35.0	42.3	44.3
WD3500-2WR11XXBT02(W)	22	Y	10			
WD3500-2WR08XXBT01(W)	16	X	7	24.5	31.8	33.8
WD3500-2WR08XXBT02(W)	16	Y	7			
WD3500-2WR06XXBT01(W)	12	X	5	17.5	24.8	26.8
WD3500-2WR06XXBT02(W)	12	Y	5			
WD3500-2WR04XXBT01(W)	8	X	3	10.5	17.8	19.8
WD3500-2WR04XXBT02(W)	8	Y	3			
P/N	PIN	KEY	n	A	B	C

REV	DATE	MODIFICATION DESCRIPTION	CHANGE	OPERATION		DRAW	DATE	SCALE	Fit	PART NO.
				x.x	±0.40					
A0	2023/08/02	Increase pcb thickness size recommendation	KEVIN	x.xx	±0.25	CHECK	2023/08/02	UNIT	mm	WD3500-2WRXXXBTXX(W)
1	2022/07/10	NEW	KEVIN	x.xxx	±0.15		DATE	SHEET	1/4	TITLE: 3.5*3.3mm Dyn. Dual row 90° DIP With Ground strip
				Angle	± 3°	APPROVE	DATE	PROJ.	⊕	Customer NO.
				DIM	TOL					

WCON

Http: www.wcon.com

WCON-Dongguan
 Tel: +86 769 85358920
 Fax: +86 769 85358915
 E-mail: sales@wcon.com

WCON-Kunshan
 Tel: +86 512 57468408
 Fax: +86 512 57468468
 E-mail: salesks@wcon.com