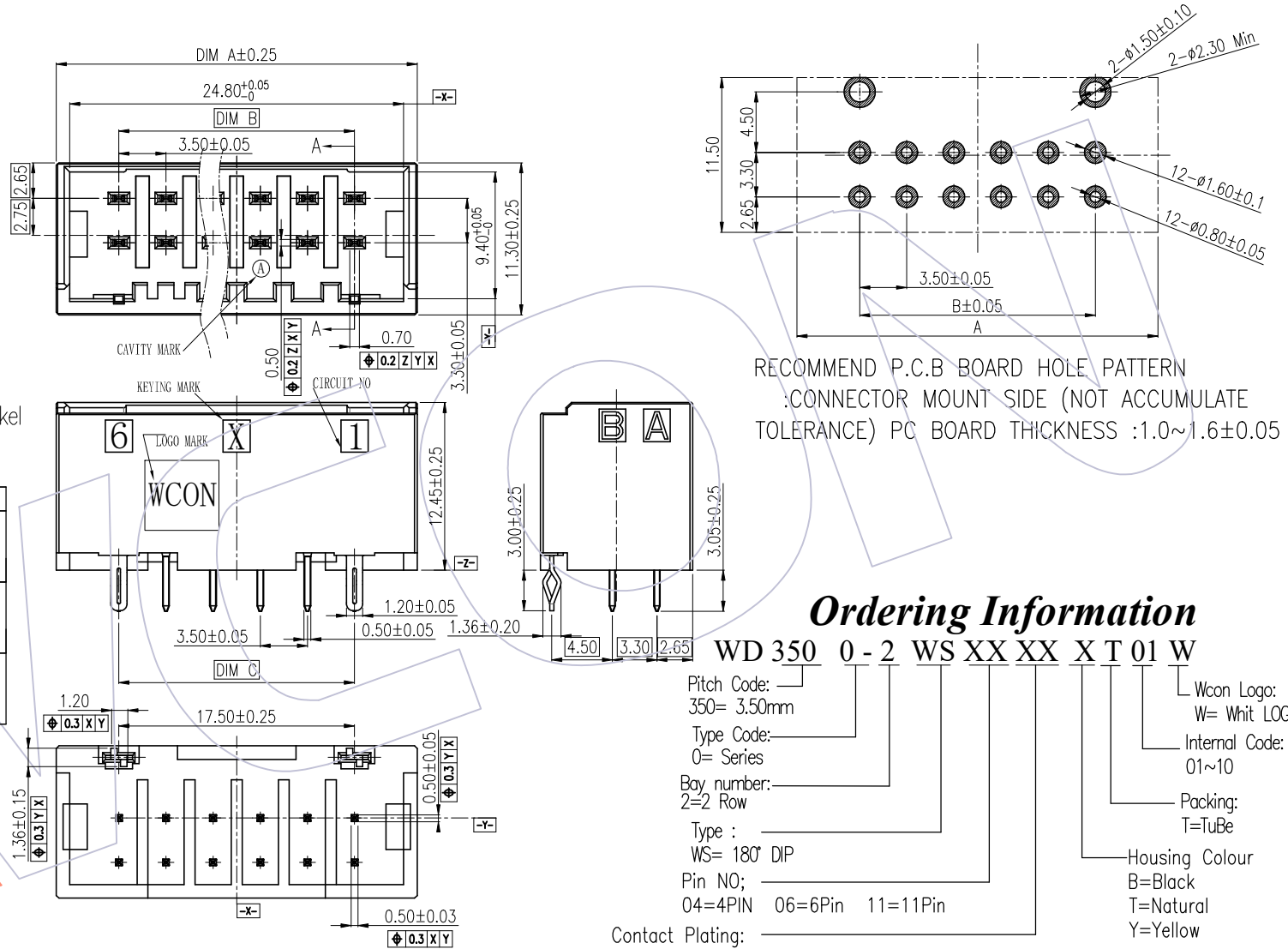
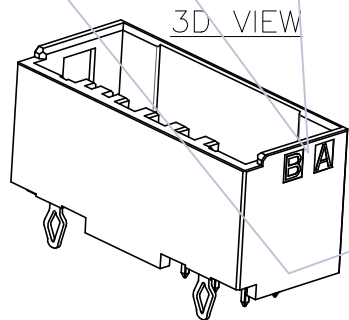


# HSF

NOTES:  
 Current Rating:5A  
 Voltage Rating:250V/AC  
 Contact Resistance:20mΩ Max.  
 Withstand Voltage:1500V AC  
 Insulation Resistance:100MΩ Min.  
 Operation Temperature:-40°C to +125°C

Insulator Material:LCP,UL94V0,BLACK  
 Contact Material:Copper Alloy  
 Contact plating:  
 Gold plated 0.38um Min in located area over Nickel  
 Tin plated 2.0um Min in all over product

| PART NO.            | Colour  | Pin | A    | B    | C    |
|---------------------|---------|-----|------|------|------|
| WD3500-2WS04XXBT01W | Black   | 8   | 19.8 | 10.5 | 10.5 |
| WD3500-2WS04XXWT01W | Natural |     |      |      |      |
| WD3500-2WS04XXYT01W | Yellow  |     |      |      |      |
| WD3500-2WS06XXBT01W | Black   | 12  | 26.8 | 17.5 | 17.5 |
| WD3500-2WS06XXWT01W | Natural |     |      |      |      |
| WD3500-2WS06XXYT01W | Yellow  |     |      |      |      |
| WD3500-2WS11XXBT01W | Black   | 22  | 44.3 | 35.0 | 35   |
| WD3500-2WS11XXWT01W | Natural |     |      |      |      |
| WD3500-2WS11XXYT01W | Yellow  |     |      |      |      |



RECOMMEND P.C.B BOARD HOLE PATTERN  
 :CONNECTOR MOUNT SIDE (NOT ACCUMULATE TOLERANCE) PC BOARD THICKNESS :1.0~1.6±0.05

## Ordering Information

WD 350 0 - 2 WS XX XX X T 01 W

Pitch Code: 350= 3.50mm  
 Type Code: 0= Series  
 Bay number: 2=2 Row  
 Type : WS= 180° DIP  
 Pin NO; 04=4PIN 06=6Pin 11=11Pin  
 Wcon Logo: W= Whit LOGO  
 Internal Code: 01~10  
 Packing: T=TuBe  
 Housing Colour B=Black T=Natural Y=Yellow

Contact Plating:  
 W4=Sel.15U" Au/Matte Sn  
 SN=Sn plated

| REV | DATE       | MODIFICATION DESCRIPTION                   | CHANGE | OPERATION   | DRAW      | DATE       | SCALE | Fit | PART NO.  |
|-----|------------|--|--------|-------------|-----------|------------|-------|-----|---|
| A1  | 2023/08/02 | Increase pcb thickness size recommendation | KEVIN  | x.x ±0.40   | KEVIN_XIN | 2023/08/02 | UNIT  | mm  | WD3500-2WSXXXXT01(W)  |
| A0  | 2021/09/28 | NEW RELEASE                                | KEVIN  | x.xx ±0.25  | CHECK     | DATE       | SIZE  | A4  | TITLE:<br>3.5*3.3mm Dyn. Dual row<br>180° DIP WITH Ground strip |
|     |            |  |        | x.xxx ±0.15 | APPROVE   | DATE       | SHEET | 1/2 | Customer NO.  |
|     |            |  |        | Angle ± 3°  |           |            | PROJ. | ⌀   |   |
|     |            |  |        | DIM TOL     |           |            |       |     |   |

# WCON

Http: www.wcon.com

WCON-Dongguan  
 Tel: +86 769 85358920  
 Fax: +86 769 85358915  
 E-mail: sales@wcon.com

WCON-Kunshan  
 Tel: +86 512 57468408  
 Fax: +86 512 57468468  
 E-mail: salesks@wcon.com