

HSF

NOTES:

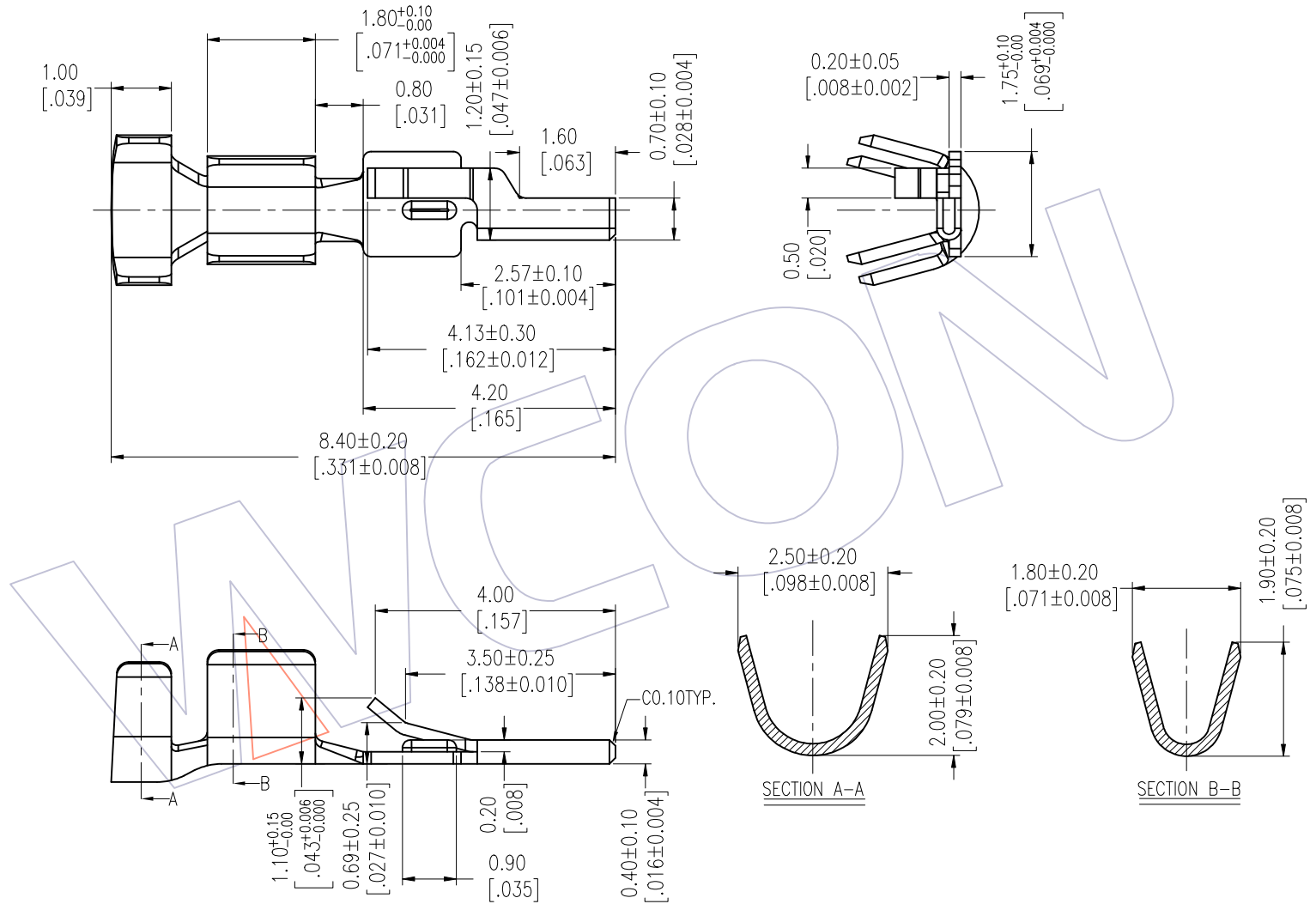
Current Rating: 1.0AMP
 Contact Resistance: 20mΩ Max
 Withstand Voltage: 500V AC/DC
 Insulation Resistance: 500MΩ Min
 Operation Temperature: -40°C to +105°C

Contact Material: Phosphor Bronze
 Contact plating: Sn over Ni
 Wire Range: AWG#24-#26

Ordering Information

T3900 - T P XX 02

Contact Plating
 SN=Tin



REV	DATE	MODIFICATION DESCRIPTION	CHANGE	OPERATION	DRAW	DATE	SCALE	FIT	PART NO.
A2	2018/05/15	MINI MATCH--1.27mm MRC Connector	-----	x.x ±0.40	Ding	2018/05/15	UNIT	mm	T3900-TPXX02
A1	2014/05/28	Micro Match--Mini Match	-----	x.xx ±0.25	CHECK	DATE	SIZE	A4	TITLE: 1.27mm MRC Connector CRIMP TERMINAL
A0	2012/10/11	NEW	-----	x.xxx ±0.15	APPROVE	DATE	SHEET	1/1	配24-26#线
				Angle ± 3°			PROJ.		Customer NO.
				DIM TOL					

WCON
 Http: www.wcon.com

WCON-Dongguan
 Tel: +86 769 85358920
 Fax: +86 769 85358915
 E-mail: sales@wcon.com

WCON-Kunshan
 Tel: +86 512 57468408
 Fax: +86 512 57468468
 E-mail: salesks@wcon.com