

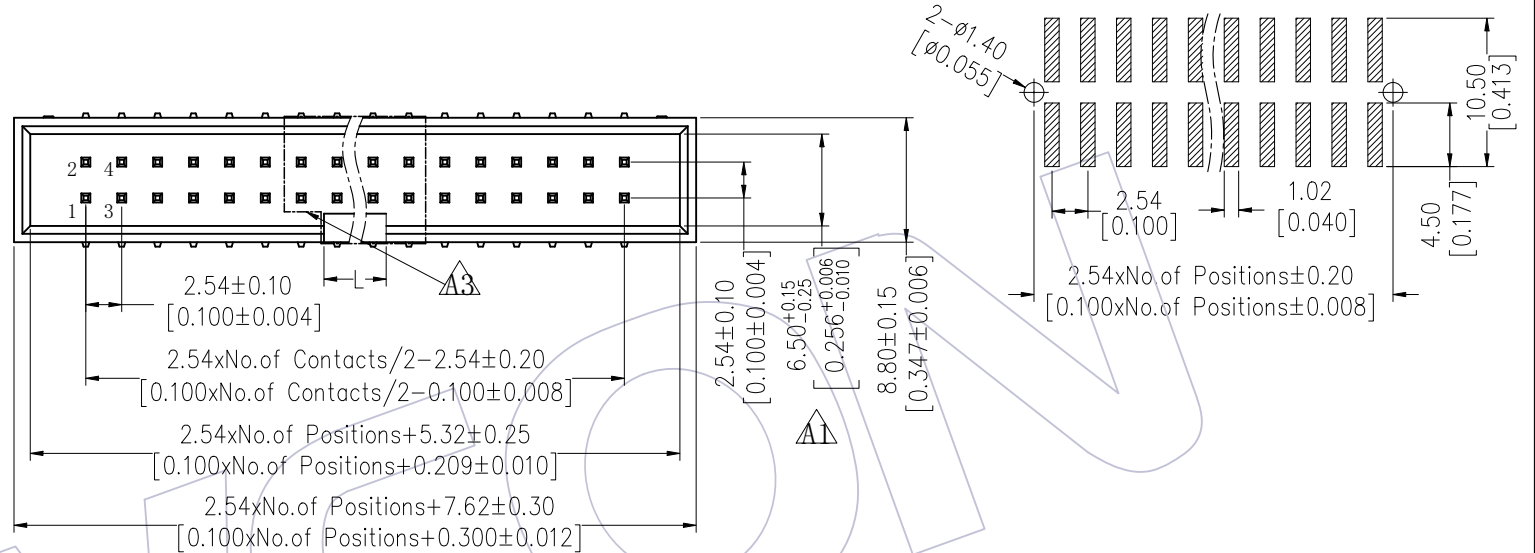
HSF

NOTES:

Current Rating:3AMP
 Contact Resistance:20mΩ max
 Withstand Voltage:500V AC/DC
 Insulation Resistance:1000MΩ min
 Operation Temperature:-40°C to +105°C

Contact Material:Brass
 Contact plating:Au or Sn Over Ni
 Insulator Material:PA9T+33%G.F(UL94V-0)

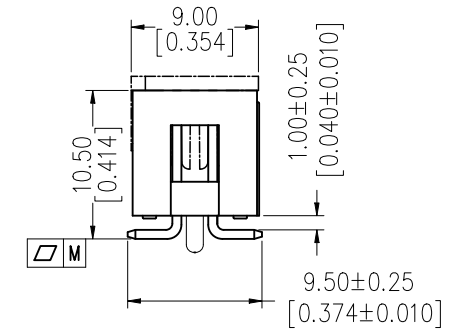
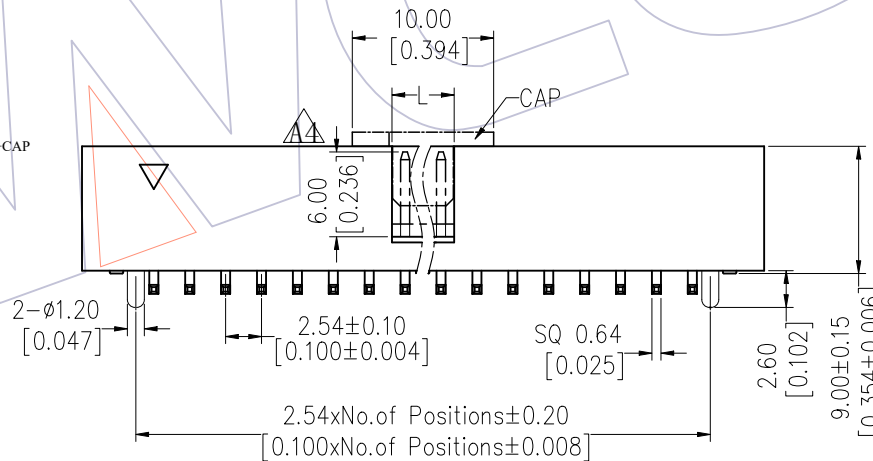
Recommended P. C. B Layout (Top Side)
 (PCB BOARD TOLERANCE ±0.05)



Ordering Information

3110-XX M XX B K00 X X

- No. of Pins: 6P 24P, 8P 26P, 10P 30P, 12P 34P, 14P 40P, 16P 50P, 18P 60P, 20P 64P
- Contact Plating: G0=Gold Flash, G3=10u"Gold, G4=15u"Gold, G5=30u"Gold, S0=Gold Flash/Tin, S3=10u"Gold/Tin, S4=15u"Gold/Tin, S5=30u"Gold/Tin, SN=Tin
- Color Insulator: B=Black
- Packing: T=Tube, P=Tube+CAP, R=Tape&Reel+CAP



Dimension antitheses list	PIN(PerRow)			
	6-20P	24-40P	50-64P	
NO. Pin				
6P-8P	0.10	0.15	0.18	4.00
10P-64P				4.40

B0	2023/02/17	Add Flatness	Δ_{B0}	DuYing	OPERATION	DRAW	DATE	SCALE	FIT	PART NO.
A5	2019/01/24	MODIFY PART NO.	Δ_{A5}	Ding	x.x ±0.40	DuYing	2023/02/17	UNIT	mm	3110-XXMXXBK00XX Δ_{A5}
A4	2018/11/09	5.90--6.00	Δ_{A4}		x.xx ±0.25	CHECK	DATE	SIZE	A4	TITLE:
A0	2008/05/08	NEW			x.xxx ±0.15	APPROVE	DATE	SHEET	1/1	2.54 BOX HEADER SMT H=9.0 WITH POST
REV	DATE	MODIFICATION DESCRIPTION	CHANGE		Angle ± 3° DIM TOL			PROJ.	ϕ	Customer NO.

WCON
 Http: www.wcon.com

WCON-Dongguan WCON-Kunshan
 Tel: +86 769 85358920 Tel: +86 512 57468408
 Fax: +86 769 85358915 Fax: +86 512 57468468
 E-mail: sales@wcon.com E-mail: salesks@wcon.com