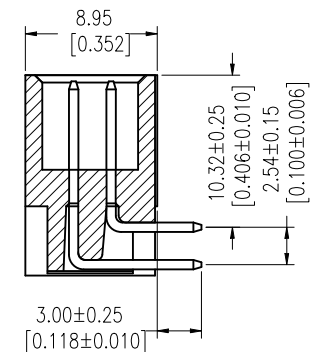
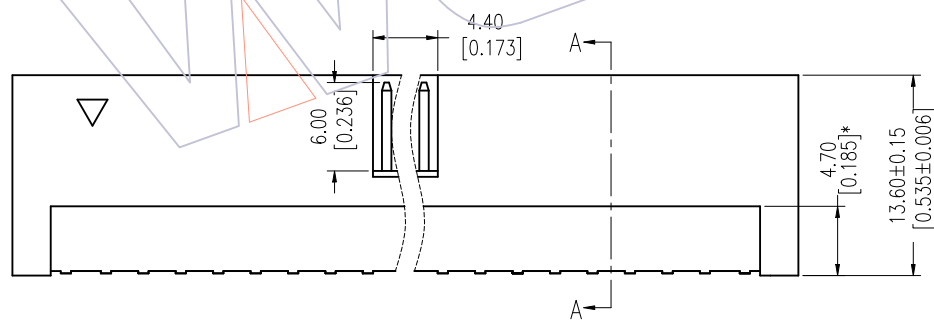
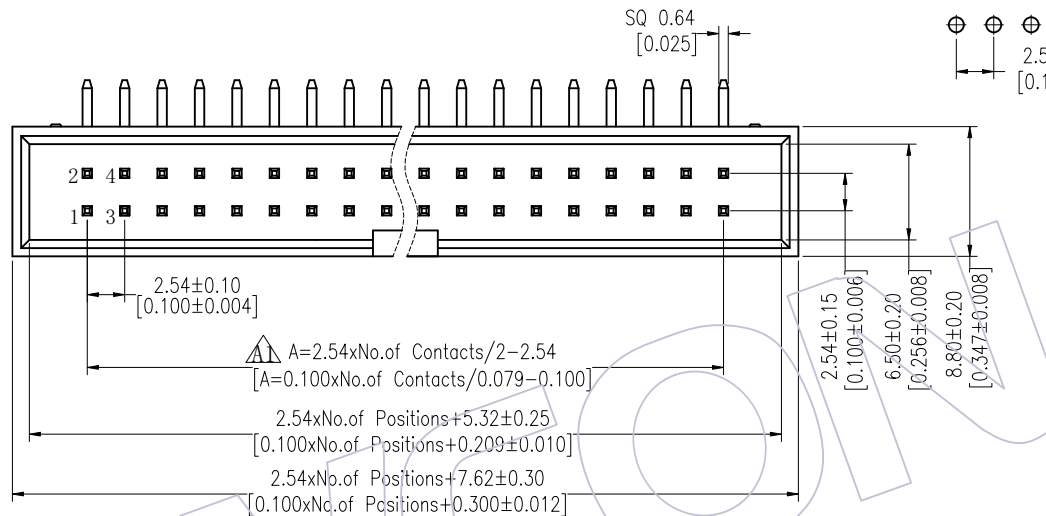
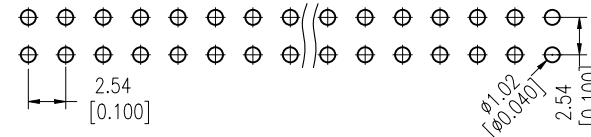


HSF

NOTES:
 Current Rating:3AMP
 Contact Resistance:20mΩ max
 Withstand Voltage:500V AC/DC
 Insulation Resistance:1000MΩ min
 Operation Temperature:-40°C to +105°C

Contact Material:Brass
 Contact plating:Au or Sn Over Ni
 Insulator Material:PBT+30%G.F(UL94V-0) Δ

Recommended P.C.B Layout(Top Side)
 (PCB BOARD TOLERANCE±0.05)



Ordering Information

3112-XX R XX B K00 X 1

- | | | | |
|-------------|-------------------|-----------------|----------|
| No. of Pins | Contact Plating | Color Insulator | Packing: |
| 10P 30P | G0=Gold Flash | B=Black | A=Tray |
| 14P 34P | G1=3u"Gold | U=blue | T=Tube |
| 16P 40P | G2=5u"Gold | G=Gray(427C) | |
| 20P 50P | G3=10u"Gold | E=Gray(413C) | |
| 24P 60P | G4=15u"Gold | | |
| 26P 64P | G5=30u"Gold | | |
| | S0=Gold Flash/Tin | | |
| | S1=3u"Gold/Tin | | |
| | S2=5u"Gold/Tin | | |
| | S3=10u"Gold/Tin | | |
| | S4=15u"Gold/Tin | | |
| | S5=30u"Gold/Tin | | |
| | SN=Tin | | |

A (TOLERANCE) Δ

ITEM	≤20P	>20P
A	±0.20	±0.30

REV	DATE	MODIFICATION DESCRIPTION	CHANGE	OPERATION	DRAW	DATE	SCALE	FIT	PART NO.
A2	2014/05/05	MODIFY	Δ	X.X ±0.40	Allen	2014/05/05	UNIT mm		3112-XXRXXBK00X1
A1	2012/05/10	MODIFY	Δ	X.XX ±0.25	CHECK	DATE	SIZE A4		TITLE: 2.54 BOX HEADER 90° H=13.6
A0	2008/05/08	NEW	—	X.XXX ±0.15	APPROVE	DATE	SHEET 1/1		Customer NO.
				Angle ± 3°			PROJ.		
				DIM TOL					

WCON

Http: www.wcon.com

WCON-Dongguan
 Tel: +86 769 85358920
 Fax: +86 769 85358915
 E-mail: sales@wcon.com

WCON-Kunshan
 Tel: +86 512 57468408
 Fax: +86 512 57468468
 E-mail: salesks@wcon.com