

- NOTES:
- Material:  
Housing: LCP, G, F, UL94V-0, BK  
Contact/strip: Copper Alloy
  - Contact Plating:  
xxu "Gold on contact area(See Ordering Information)  
100u "Matte tin on solder area,  
50u " Nickel underplating overall.
  - Ground strip: 100u "Matte tin over 50u " Nickel.
  - Rated Current: 12.0A Max
  - Contact Resistance: 10mΩ max
  - Withstand Voltage: 1500V AC
  - Insulation Resistance: 1000MΩ min
  - Operation Temperature: -55°C to +105°C
  - Soldering: Solder temperature: 260±5°C  
Solder time: 5±1S

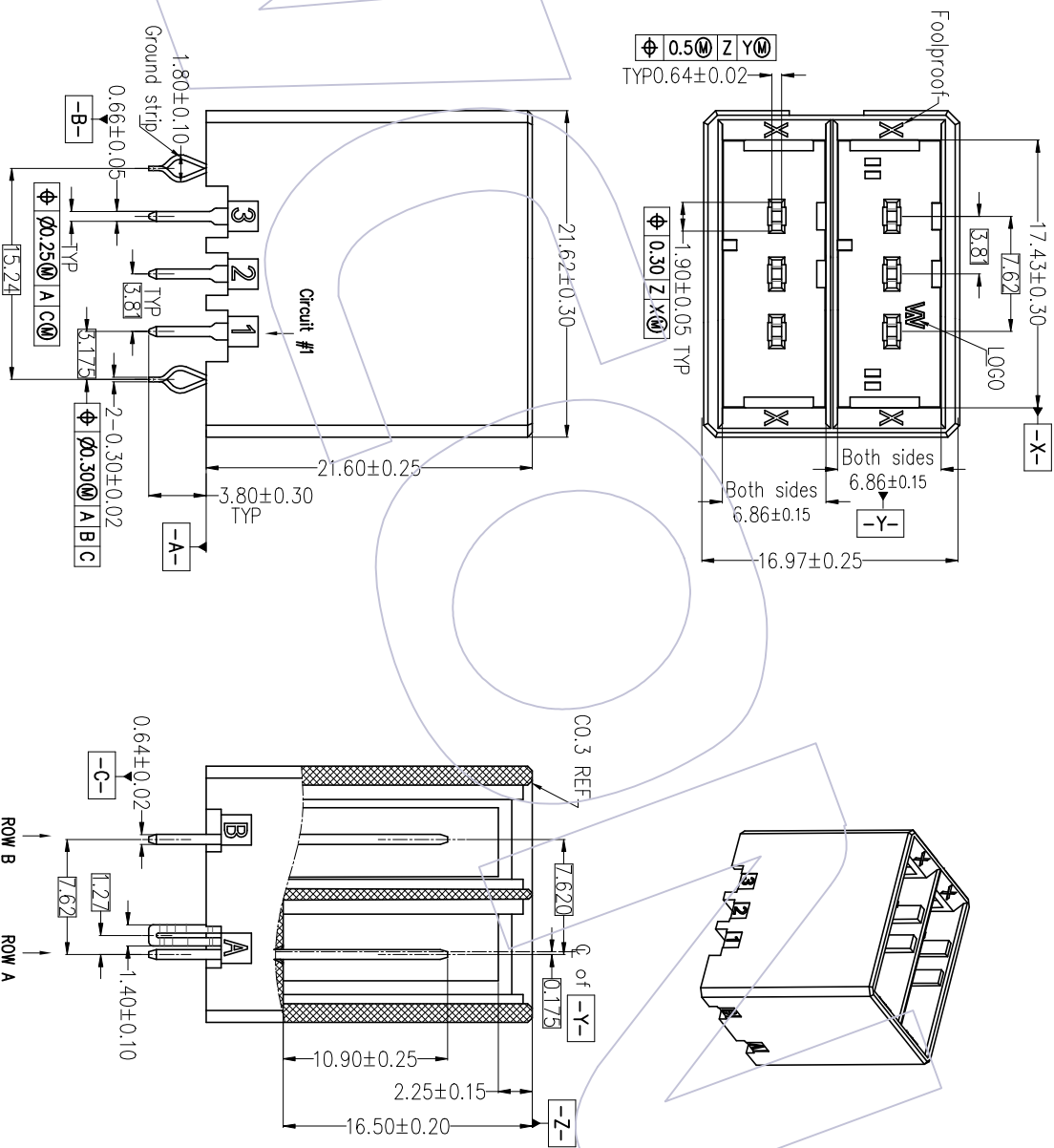
## Ordering Information

WD3811-2 WS 03 XX B A XX W  
 2=Double-deck  
 WS=180DIP  
 No. of pins per row:  
 03=3P  
 Contact Plated:  
 SM=Matte Tin  
 W1=3u "Gold/Matte Tin  
 W4=15u "Gold/Matte Tin  
 W5=30u "Gold/Matte Tin

Foolproof  
 04=XX Code  
 05=YY Code  
 06=XY Code

A=Troy  
 B=Housing Color

W=W/T W Logo  
 Blank=W/O W Logo



OPERATION	DRAW	DATE	SCALE	FIT	PART NO.	<b>WCÓN</b> Http: www.wcon.com WCÓN-Dornguon Tel: +86 769 85358920 Fax: +86 769 85358915 E-mail: sales@wcon.com WCÓN-Kunshan Tel: +86 512 57468408 Fax: +86 512 57468468 E-mail: sales@wcon.com
XX	XSR	2021/06/21	mm	1/2	WD3811-2WS03XXBAXX(W)	
XX	CHECK	DATE	UNIT	SIZE	TITLE:	
X.XXX	± 0.25		mm	A4	3.81*7.62mm Dyn.(T Type)	
X.XXX	± 0.15			1/2	Double-deck 180DIP with Ground strip	
Angle	± 3°	APPROVE	PROJ.		Customer NO.	
REV	DATE	MODIFICATION DESCRIPTION	CHANGE			
A0	2021/06/21	NEW	XSR			