

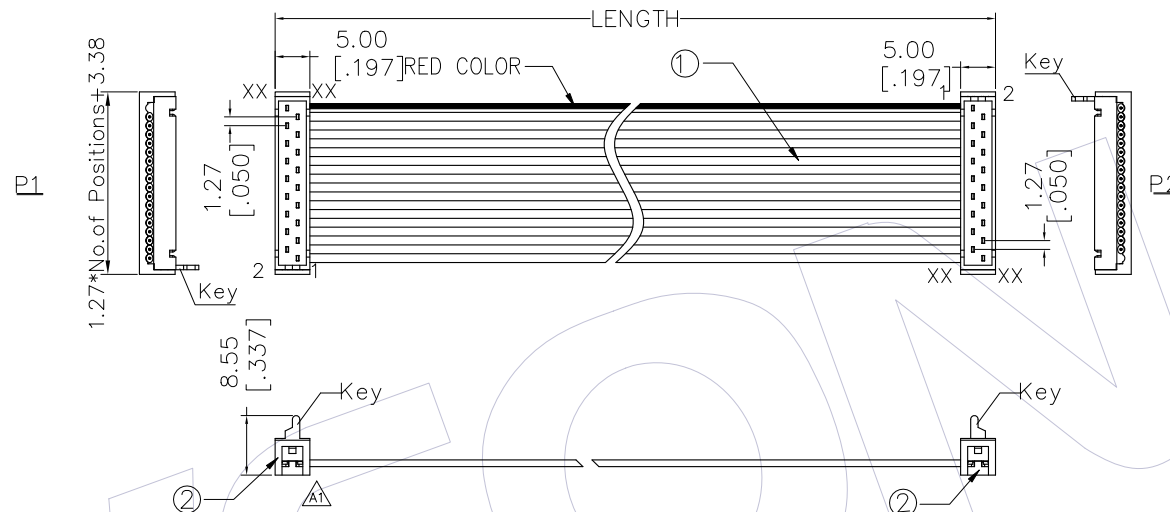
HSF

MRC Connector Spec.:
 MRC Insulator Material: PBT+30%G.F UL94V-0
 MRC Contact Material: Copper Alloy
 MRC Contact plating: Sn Over Ni

CABLE MATERIAL:
 Insulator: UL 2651, Grey
 Conductor: 28AWG(7/0.12mm)
 Electrical: 300V

SPECIFICATIONS

Insulation Resistance: 5.0MΩ Min
 Contact Resistance: 1.0Ω Max
 Withstand Voltage: AC 300V, 10S
 The Cable Assembly Must 100% Test



Ordering Information

F3900A - XX SN B R XXX 001

No. OF Pins 04-20p
 Contact Plating SN=Tin
 CONN. Color R=Red
 Length of Line

CONNECT METHOD

P1 Color P2
 XX Red 1
 XX Grey 2
 XX Grey 3
 Grey XX
 Grey XX
 Grey XX

LENGTH	TOLERANCE
≤100	±5
101~1000	±10
1001~3000	±20
3001~	± Lx1%

②	3900-XXMISNANT02	CONN.	1.27 XXP MRC BOX PLUG IDC RED Plating:SN	2	PCS
①	F1U-C28GXXD0-XXXX-X	WIRE	UL2651 PH1.27mm XXP 28AWG(7/0.12TS) PVC Grey Red Side	XXX	MM
NO.	PART NO.	NAME	Specification	Q'TY	UNIT

REV	DATE	MODIFICATION DESCRIPTION	CHANGE	OPERATION	DRAW	DATE	SCALE	FIT	PART NO.	 Http: www.wcon.com WCON-Dongguan Tel: +86 769 85358920 Fax: +86 769 85358915 E-mail: sales@wcon.com WCON-Kunshan Tel: +86 512 57468408 Fax: +86 512 57468468 E-mail: salesks@wcon.com
A2	2019/12/25	Modify		x.x ±0.40	XSR	2019/12/25	UNIT mm		F3900A-XXSNBRXXX001	
A1	2011/04/20	Change Micro Match ASS'Y Height		x.xx ±0.25	CHECK	DATE	SIZE A4		TITLE: 1.27 MRC Drawing	
A0	2009/07/08	NEW	-----	x.xxx ±0.15		DATE	SHEET 1/1		Customer NO.	
				Angle ± 3°	APPROVE	DATE	PROJ.			
				DIM TOL						