

# HSF

## IDC HOUSING MATERIAL

Insulation Material:PBT+30%GF(UL94V-0)  
 Contact Material:Phosphor Bronze/BRASS  
 Contact plating:Au or Sn Over Ni

## Micro Match HOUSING MATERIAL

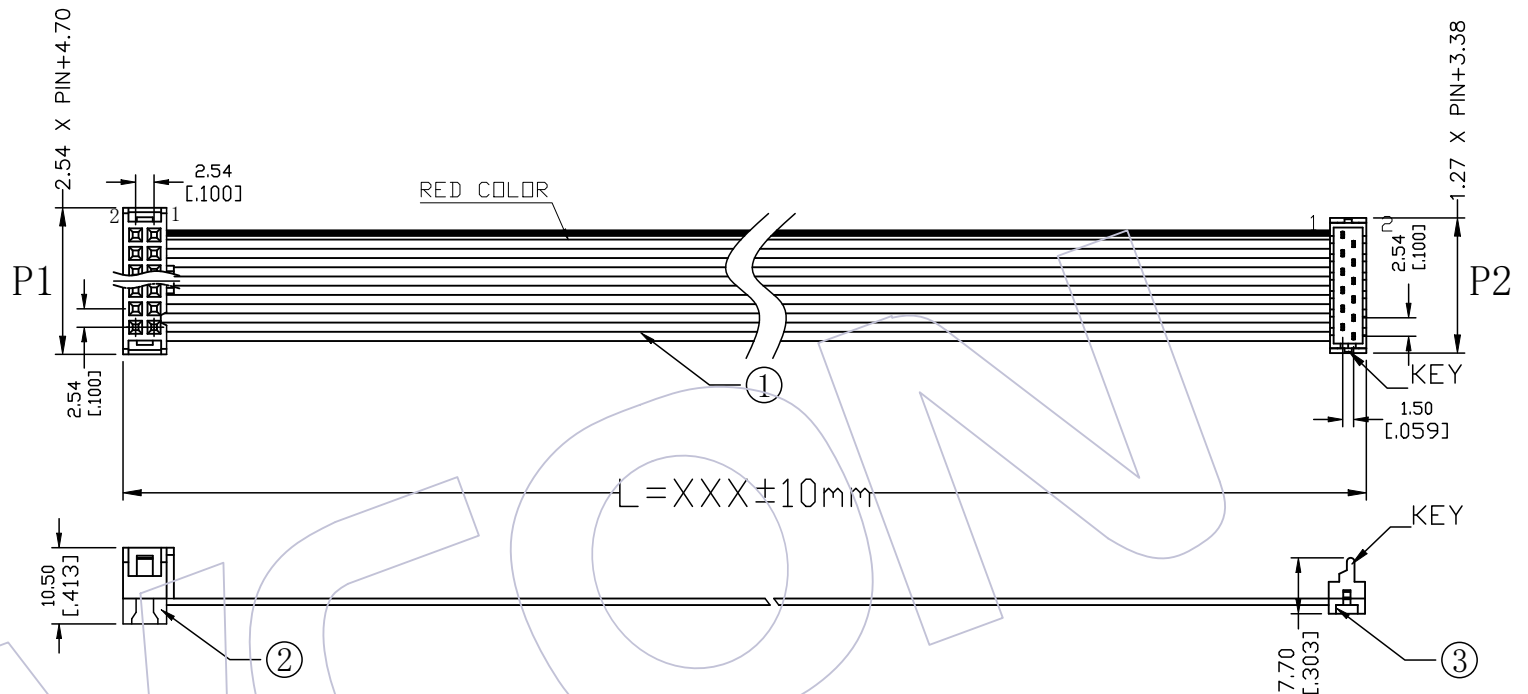
Insulation Material:PBT+30%GF(UL94V-0)  
 Contact Material:Phosphor Bronze  
 Contact plating:Au or Sn Over Ni

## SPECIFICATIONS

Insulation Resistance:5MΩ Min  
 Contact Resistance:1.0Ω Max  
 Withstand Voltage:DC 300V, 10S  
 The Cable Assembly Must 100% Test

## CABLE MATERIAL

Insulation:UL 2651,Grey Red Side  
 Conductor:28AWG(7/0.12mm)  
 Electrical:300V



## Ordering Information

F3900D - XX XX A X XXX 001

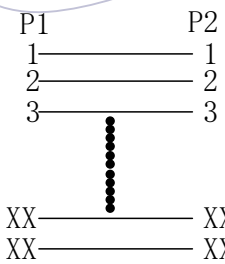
No.OF Pins  
04-20p

Contact Plating:  
 G0=Gold Flash  
 G3=10u"Gold  
 G4=15u"Gold  
 G5=30u"Gold  
 S0=Gold Flash/Ni  
 S3=10u"Gold/Ni  
 S4=15u"Gold/Ni  
 S5=30u"Gold/Ni  
 SN=Tin

Color:  
 B=Black  
 G=Grey(427C)  
 R=RED

Length of Line

### CONNECT METHOD



| NO. | PART NO.            | NAME  | TITLE   | QT'Y | UNIT |
|-----|---------------------|-------|---|------|------|
| ③   | 3900-XXM1XXAWX2     | CONN. | 1.27 xxP Micro BOX PLUG IDC PBT RED Plating:SN                | 1    | SET  |
| ②   | 5212-XXXXXXX0       | CONN. | 2.54 IDC **P PBT Color:XXX material:XX, Plating Xu" gold      | 1    | SET  |
| ①   | F1U-C28GXXD0-XXXX-1 | WIRE  | UL2651 PH1.27mm XXP 28AWG(7/0.12TC) PVC Grey Marking Red Side | XXXX | MM   |

| REV | DATE     | MODIFICATION DESCRIPTION | CHANGE | OPERATION   | DRAW    | DATE     | SCALE        | FIT | PART NO.          |
|-----|----------|--------------------------|--------|-------------|---------|----------|--------------|-----|-------------------|
| A0  | 09/09/02 | NEW                      |        | X.X ±0.40   | BEN     | 09/09/02 | UNIT mm/inch |     | F3900D-XXXXXXX001 |
|     |          |                          |        | X.XX ±0.25  | CHECK   | DATE     | SIZE A4      |     | TITLE:            |
|     |          |                          |        | X.XXX ±0.15 | APPROVE | DATE     | SHEET 1/1    |     | 1.27 MRC Drawing  |
|     |          |                          |        | Angle ± 3'  |         |          | PROJ.        |     | Customer NO.      |
|     |          |                          |        | DIM TOL     |         |          |              |     |                   |



Http: www.wcon.com

WCON-Dongguan Tel: +86 769 85358920 Fax: +86 769 85358915 E-mail: sales@wcon.com

WCON-Kunshan Tel: +86 512 57468408 Fax: +86 512 57468468 E-mail: salesks@wcon.com