

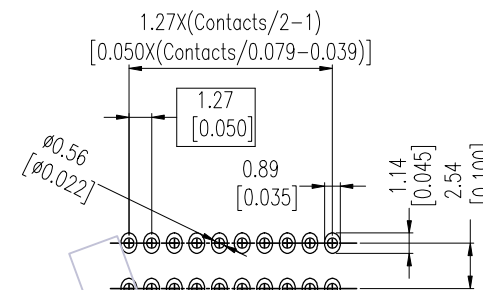
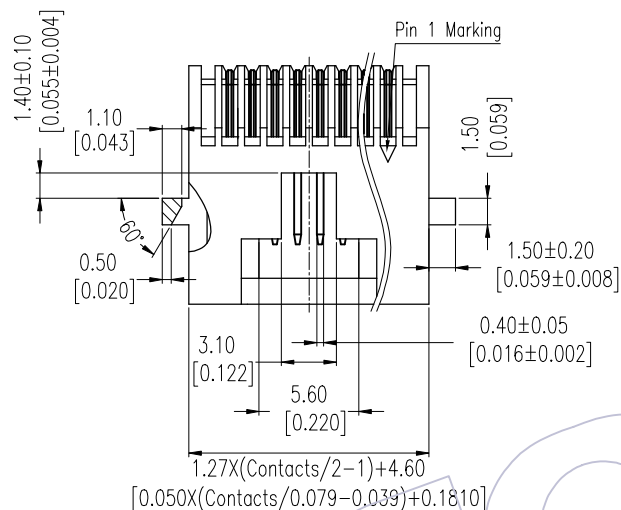
HSF

NOTES:

Current Rating:1A AMP
 Contact Resistance:30milliohm Max
 Withstand Voltage:250V AC/DC
 Insulation Resistance:1000Megohm Min
 Operation Temperature:-40°C to +105°C

Housing Material:PA9T+33%GF(UL94V-0)
 Contact Material:Phosphor Bronze
 Contact plating:Au or Sn over Ni Plating

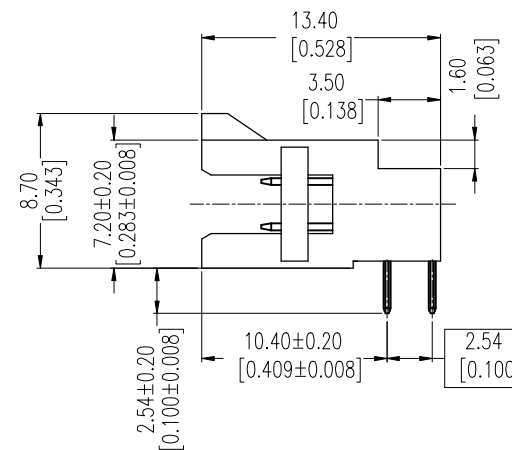
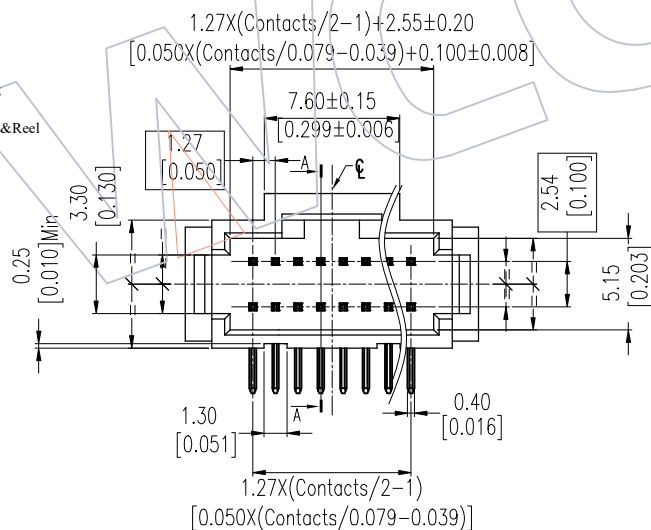
Recommended P.C.B Layout (Top Side)
 (PCB BOARD TOLERANCE ±0.05)




Ordering Information

WF1271 - 2WRH **XX** **B** **X** **0**

No. of pins Per Row 04-50P
 Contact Plating S0=Gold Flash/Tin S3=10u"Gold/Tin S4=15u"Gold/Tin S5=30u"Gold/Tin G0=Gold Flash G3=10u"Gold G4=15u"Gold G5=30u"Gold Blank=Tin
 Color B=Black
 Packing T=Tube R=Tape&Reel



				OPERATION	DRAW	DATE	SCALE	FIT	PART NO.	 Http: www.wcon.com
				x.x ±0.40	Ding	2017/01/09	UNIT	mm	WF1271-2WRHXXBX0	
				x.xx ±0.25	CHECK	DATE	SIZE	A4	TITLE: 1.27*2.54 Wafer	WCON-Dongguan Tel: +86 769 85358920 Fax: +86 769 85358915 E-mail: sales@wcon.com
				x.xxx ±0.15	APPROVE	DATE	SHEET	1/2	H=13.40 90° DIP W/O LOGO W/T Ear (Without Fixing Hardware)	
AO	2017/01/09	NEW		Angle ± 3°			PROJ.		Customer NO.	
REV	DATE	MODIFICATION DESCRIPTION	CHANGE	DIM TOL						