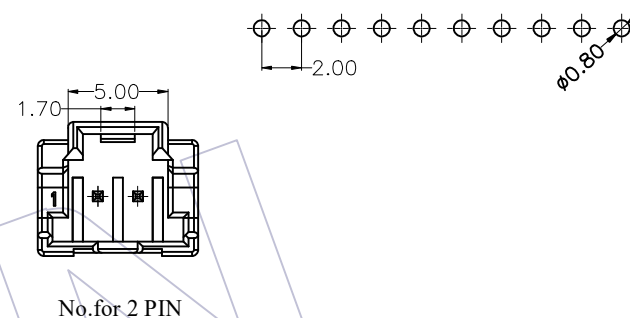
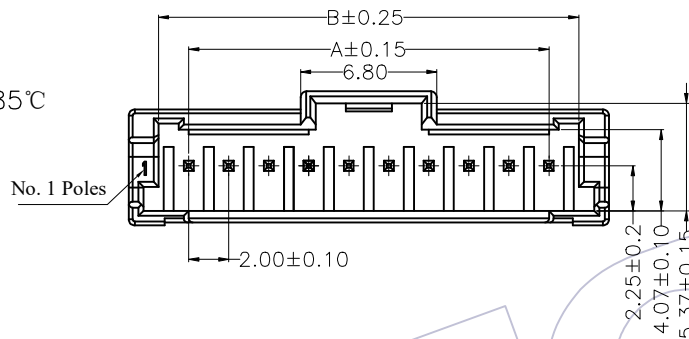


# HSF

NOTES:  
 Current Rating:1.0AMP  
 Voltage Rating:250V AC  
 Contact Resistance: 30mΩ Max  
 Withstand Voltage:800V AC  
 Insulation Resistance: 1000MΩ Min  
 Operation Temperature:-25°C to +85°C

Contact Material:Brass  
 Contact plating:Sn over Ni  
 Insulator Material:PBT

Recommended P.C.B Layout(Top Side)  
 (PCB BOARD TOLERANCE±0.05)

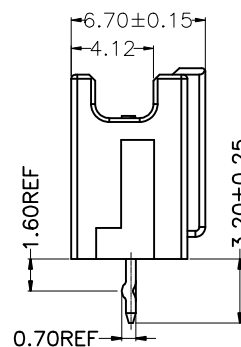
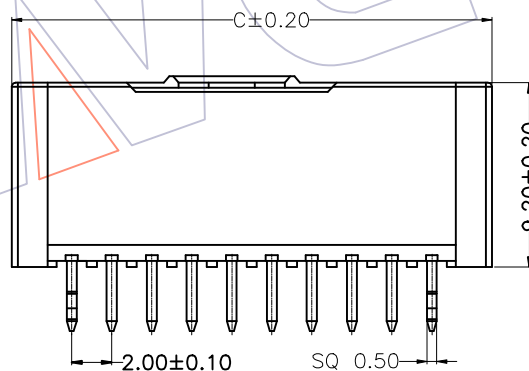


Dimensional & Ordering Information

## Ordering Information

WF2007-1WS XX W 0 1

No.of Pins    Colour    Packing  
 02P~15P    W=Wite    0=PE Bag



Circuit	Part No.	Dimension		
		A	B	C
02	WF2007-1WS02W01	2.0	5.0	8.0
03	WF2007-1WS03W01	4.0	7.0	10.0
04	WF2007-WS04W01	6.0	9.0	12.0
05	WF2007-WS05W01	8.0	11.0	14.0
06	WF2007-WS06W01	10.0	13.0	16.0
07	WF2007-WS07W01	12.0	15.0	18.0
08	WF2007-WS08W01	14.0	17.0	20.0
09	WF2007-WS09W01	16.0	19.0	22.0
10	WF2007-WS10W01	18.0	21.0	24.0
11	WF2007-WS11W01	20.0	23.0	26.0
12	WF2007-WS12W01	22.0	25.0	28.0
13	WF2007-WS13W01	24.0	27.0	30.0
14	WF2007-WS14W01	26.0	29.0	32.0
15	WF2007-WS15W01	28.0	31.0	34.0

REV	DATE	MODIFICATION DESCRIPTION	CHANGE	OPERATION		DRAW JYHuang	DATE 2012/09/05	SCALE	FIT	PART NO. SEE TAB	TITLE: "M"TYPE 2.0 Wafer 180° DIP	WCON	
				x.X	±0.40							Http: www.wcon.com	
AO	2012/09/05	NEW		x.XX	±0.25	CHECK	DATE	UNIT	mm inch			WCON-Dongguan	WCON-Kunshan
				x.XXX	±0.15	APPROVE	DATE	SIZE	A4			Tel: +86 769 85358920	Tel: +86 512 57468408
				Angle	± 3'			SHEET	1/1			Fax: +86 769 85358915	Fax: +86 512 57468468
				DIM	TOL			PROJ.	◆	Customer NO.		E-mail: sales@wcon.com	E-mail: sales@wcon.com