

HSF

SPECIFICATIONS:

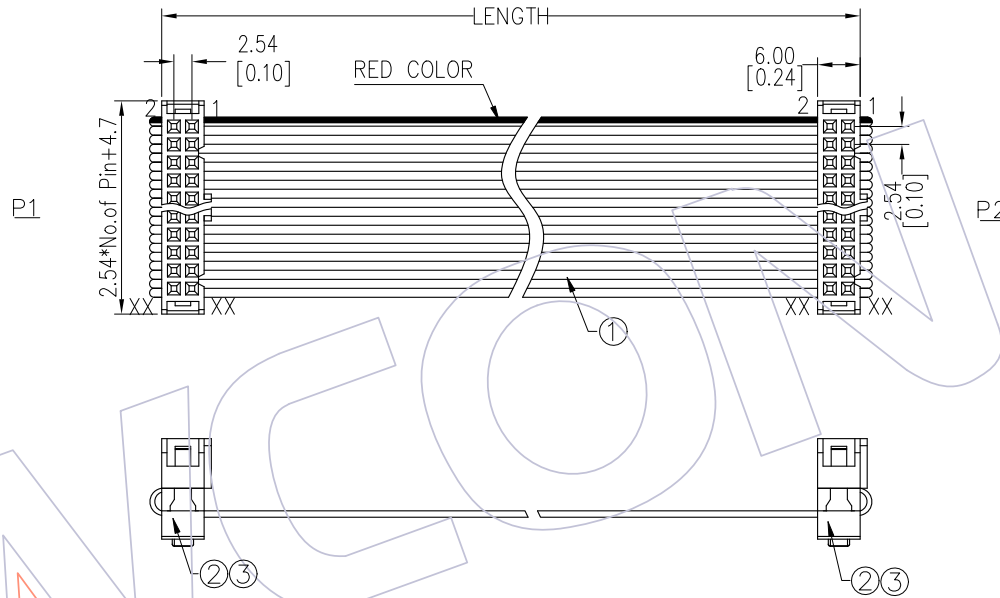
Contact Resistance: 1Ω Max.
 Insulation Resistance: 5MΩ Min.
 Withstand Voltage: 300V DC,10s
 The Cable Assembly Must 100% Test

CABLE:

Insulator: UL 2651,Grey Red Side
 Contact: 28AWG(7/0.12mm)

IDC:

Insulator Material: PBT+30%G.F UL94V-0
 Contact Material: Brass
 Contact Plating: Au over Ni



FA12 - XX XX A A X XXX - 02

No. OF Pins
04~64p

Contact Plating:

G0=Gold Flash
 G3=10u"Gold
 G4=15u"Gold
 G5=30u"Gold
 S0=Gold Flash/Ni
 S3=10u"Gold/Ni
 S4=15u"Gold/Ni
 S5=30u"Gold/Ni
 SN=Tin

Connector Color:

B=Black
 G=Grey 427C

Connector Direction:
 A=Same Direction

Length of Line(mm)

CONNECT METHOD

P1 P2
 1 Red 1
 2 Grey 2
 3 Grey 3
 ⋮
 30 Grey 30

LENGTH	TOLERANCE
≤100	±5
101~1000	±10
1001~3000	±20
3001~	± Lx1%

③	G5210-XXDX01	SR	2.54 IDC SR,XXP,PBT BK/Grey	2	PCS
②	5212-XXYBS0XW01	CONN.	2.54 IDC Socket,XXP, Spring Type,W/T Bump,PBT BK/Grey,Brass, Sel.G'F/Ni	2	PCS
①	F1U-C28GXXD0-XXXX-X	WIRE	1.27mm Flat Cable,PVC Grey,XXP,Red Side,UL2651,28AWG(7/0.12)	100	MM
NO.	PART NO.	NAME	TITLE	QT'Y	UNIT

OPERATION	DRAW	DATE	SCALE	Fit	PART NO.
x.x ±0.40	XSR	2020/06/15	UNIT	mm [inch]	FA12-XXXXAAXXXX-02
x.xx ±0.25	CHECK	DATE	SIZE	A4	TITLE:
x.xxx ±0.15	APPROVE	DATE	SHEET	1/1	2.54mm IDC+SR Drawing
Angle ± 3°			PROJ.		Customer NO.
DIM TOL					

WCON

Http: www.wcon.com

WCON-Dongguan
 Tel: +86 769 85358920
 Fax: +86 769 85358915
 E-mail: sales@wcon.com

WCON-Kunshan
 Tel: +86 512 57468408
 Fax: +86 512 57468468
 E-mail: salesks@wcon.com

REV	DATE	MODIFICATION DESCRIPTION	CHANGE
A1	2020/06/15	Change drawing frame	XSR
A0	2011/04/26	NEW	BEN