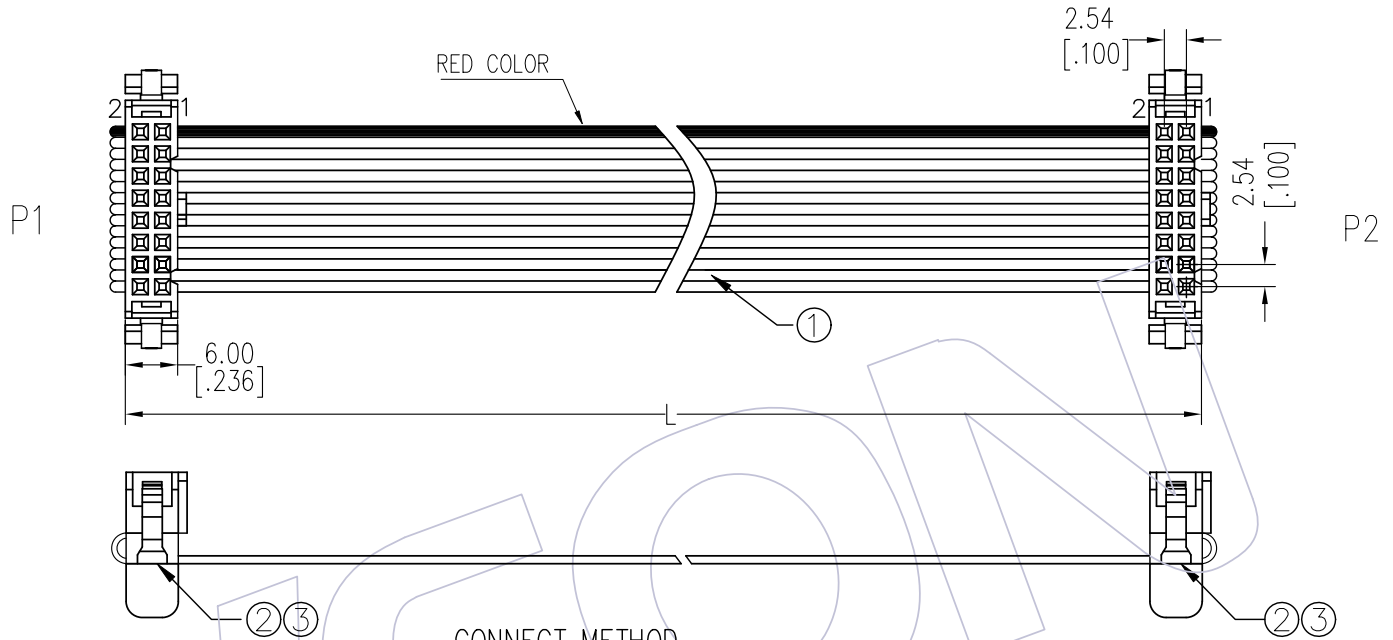


HSF

SPECIFICATIONS

Insulation Resistance: 5MΩ Min
 Contact Resistance: 1.0Ω Max
 Withstand Voltage: DC 300V, 10S
 The Cable Assembly Must 100% Test



Ordering Information

FA12 - XX XX A A X XXX - 04

No. OF Pins
04~64p

Contact Plating:
 G0=Gold Flash
 G3=10u"Gold
 G4=15u"Gold
 G5=30u"Gold
 S0=Sel. Gold Flash/Ni
 S3=Sel. 10u"Gold/Ni
 S4=Sel. 15u"Gold/Ni
 S5=Sel. 30u"Gold/Ni
 SN=Tin

Connector Color:
 B=Black
 G=Grey

Connector Direction:
 A=Same Direction

Length of Line(mm)

CONNECT METHOD

| | | | | |
|----|---|------|----|---|
| P1 | 1 | Red | P2 | 1 |
| | 2 | Grey | | 2 |
| | 3 | Grey | | 3 |
| | | ⋮ | | |
| XX | | Grey | XX | |

| LENGTH | TOLERANCE |
|-----------|-----------|
| ≤100 | ±5 |
| 101~1000 | ±10 |
| 1001~3000 | ±20 |
| 3001~ | ± Lx1% |

| NO. | PART NO. | NAME | TITLE | QTY | UNIT |
|-----|-------------------|-------|---|-----|------|
| ③ | G5210-XXDX02 | SR | 2.54 IDC XXP BUTTERFL SR | 2 | SET |
| ② | 5212-XXYBSOXW01 | CONN. | 2.54 IDC XXP PBT Black/Grey material:Brass, Plating 1u" gold/ni | 2 | SET |
| ① | F1U-C28GXDO-XXX-X | WIRE | UL2651 PH1.27mm XXP 28AWG(7/0.12TC) PVC Grey Marking Red Side | XXX | MM |

| OPERATION | | DRAW XSR | DATE 2020/07/14 | SCALE UNIT mm | FIT | PART NO. FA12-XXXXAAXXXX-04 |
|-----------|-------|-------------|--------------------|---------------------|--------------|--------------------------------|
| x.x | ±0.40 | | | | | |
| x.xx | ±0.25 | | | | | |
| x.xxx | ±0.15 | | | | | |
| Angle | ± 3° | APPROVE | DATE | SHEET 1/1 | Customer NO. | |
| DIM | TOL | PROJ. | | | | |

| REV | DATE | MODIFICATION DESCRIPTION | CHANGE |
|-----|------------|--------------------------|--------|
| AO | 2020/07/14 | NEW | ----- |

WCON

Http: www.wcon.com

| | |
|---|--|
| WCON-Dongguan Tel: +86 769 85358920 Fax: +86 769 85358915 E-mail: sales@wcon.com | WCON-Kunshan Tel: +86 512 57468408 Fax: +86 512 57468468 E-mail: salesks@wcon.com |
|---|--|