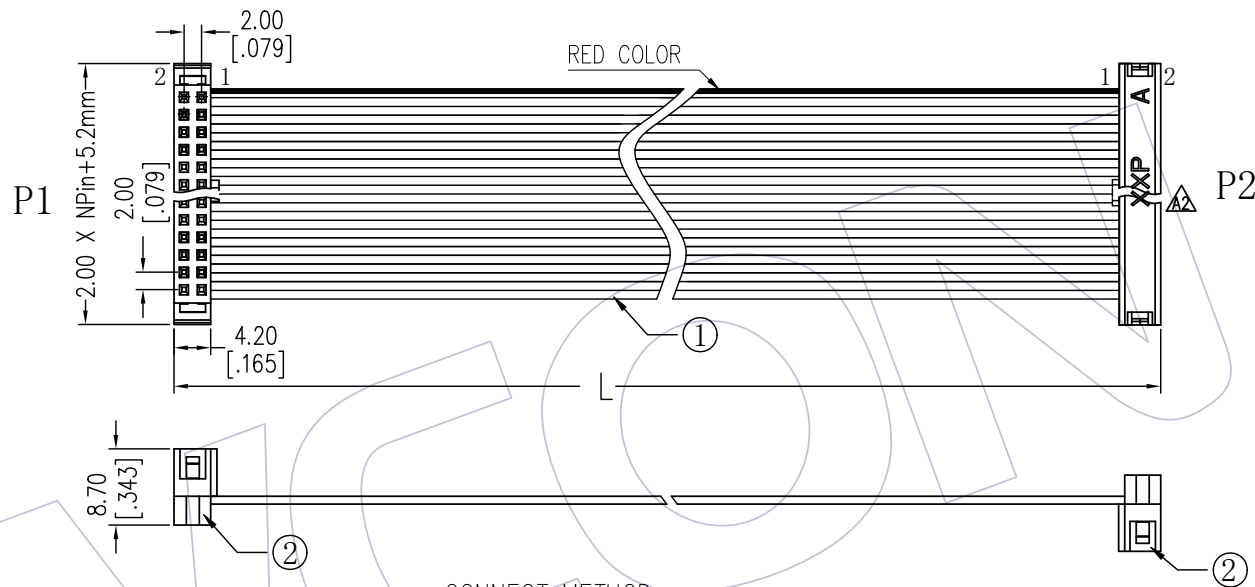


# HSF

## SPECIFICATIONS

Insulation Resistance: 5MΩ Min  
 Contact Resistance: 1.0Ω Max  
 Withstand Voltage: DC 300V, 10S  
 The Cable Assembly Must 100% Test



## Ordering Information

FA22 - XXXX B A B XXX - 01

No. OF Pins  
06-64p

Contact Plating:  
G0=Gold Flash

G3=10u"Gold

G4=15u"Gold

G5=30u"Gold

S0=Gold Flash/Ni

S3=10u"Gold/Ni

S4=15u"Gold/Ni

S5=30u"Gold/Ni

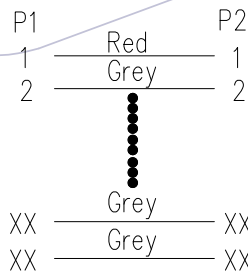
SN=Tin

Connector Direction:  
B=Opposite Direction

Connector Color:  
B=Black

Length of Line(mm)

## CONNECT METHOD



LENGTH	TOLERANCE
≤100	±5
101~1000	±10
1001~3000	±20
3001~	± Lx1%

②	5222-XXYPXXBW01	CONN.	2.00 IDC XP PBT Black Phosphor Bronze Plating Xu" gold With Bump	2	SET
①	F1U-B28GXXD0-XXXX-1	WIRE	UL2651 PH1.0mm XP 28AWG(7/0.12TC) PVC Grey Marking Red Side	XX	MM
NO.	PART NO.	NAME	TITLE	QTY	UNIT

REV	DATE	MODIFICATION DESCRIPTION	CHANGE	OPERATION	DRAW	DATE	SCALE	FIT	PART NO.
A2	2020/12/28	Correct drawing	XSR	x.x ±0.40	XSR	2020/12/28	UNIT	mm	FA22-XXXXBABXXX-01
A1	2020/06/20	Change drawing frame	XSR	x.xx ±0.25	CHECK	DATE	SIZE	A4	TITLE:
A0	2009/08/20	NEW	-----	x.xxx ±0.15	APPROVE	DATE	SHEET	1/1	2.00 IDC Drawing
				Angle ± 3°			PROJ.	Customer NO.	
				DIM TOL					

# WCON

Http: www.wcon.com

WCON-Dongguan  
 Tel: +86 769 85358920  
 Fax: +86 769 85358915  
 E-mail: sales@wcon.com

WCON-Kunshan  
 Tel: +86 512 57468408  
 Fax: +86 512 57468468  
 E-mail: sales@wcon.com