

# HSF

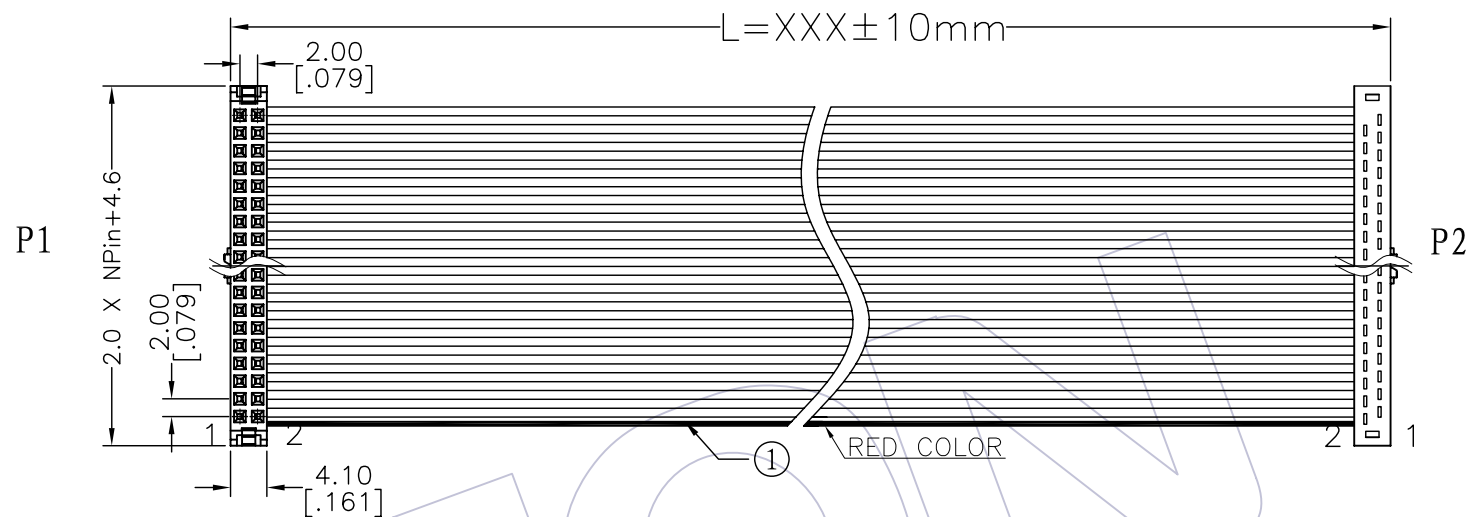
IDC HOUSING MATERIAL  
 Insulation Material:PBT+30%GF(UL94V-0)  
 Contact Material:Phosphor Bronze  
 Contact plating:Au or Sn Over Ni

## SPECIFICATIONS

Insulation Resistance:5MΩ Min  
 Contact Resistance:1.0Ω Max  
 Withstand Voltage:DC 300V, 10S  
 The Cable Assembly Must 100% Test

## CABLE MATERIAL

Insulation:UL 2651,Grey Red Side  
 Conductor:28AWG(7/0.12mm)  
 Electrical:300V

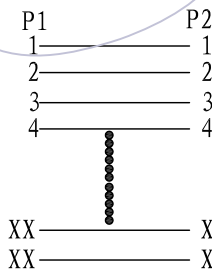


## Ordering Information

FA22 - xx xx B A B xxx - 92

No. OF Pins: 04-64p  
 Contact Plating: G0=Gold Flash, G3=10u"Gold, G4=15u"Gold, G5=30u"Gold, S0=Gold Flash/Ni, S3=10u"Gold/Ni, S4=15u"Gold/Ni, S5=30u"Gold/Ni, SN=Tin  
 Connector Color: B=Black  
 Connector Direction: B=Opposite Direction  
 Length of Line(mm): xxx

### CONNECT METHOD



②	5224-XXYPXXBW01	CONN.	2.00 IDC **P F TYPE PBT Black Phosphor Bronze Plating Xu" gold	2	SET
①	F1U-B28CXXD0-XXXX-1	WIRE	UL2651 PH1.0mm XXP 28AWG (7/0.12TC) PVC Grey Marking Red Side	XXXX	MM
NO.	PART NO.	NAME	TITLE	QT'Y	UNIT

						OPERATION	DRAW	BEN	09/06/25	SCALE	1:1	维峰五金电子有限公司 WAFE HARDWARE ELECTRONICS CO. LTD		
						X.X ±0.40	DESIGN			UNIT	mm			
						X.XX ±0.25	CHECK			SIZE	A4		PART NO.	FA22 -xxxxBABxxx-92
						X.XXX ±0.15	APPROVE			SHEET	1/1		TITLE:	2.00 F TYPE IDC Drawing
AO	09/06/25		NEW			Angle ± 3'				PROJ.	↻	Customer NO.		
REV	DATE	MODIFICATION	DESCRIPTION	CHANGE	APPROVE	DIM TOL	APPROVE							