

HSF

SPECIFICATIONS:

Contact Resistance: 1Ω Max.
 Insulation Resistance: 5MΩ Min.
 Withstand Voltage: 300V AC
 The Cable Assembly Must 100% Test

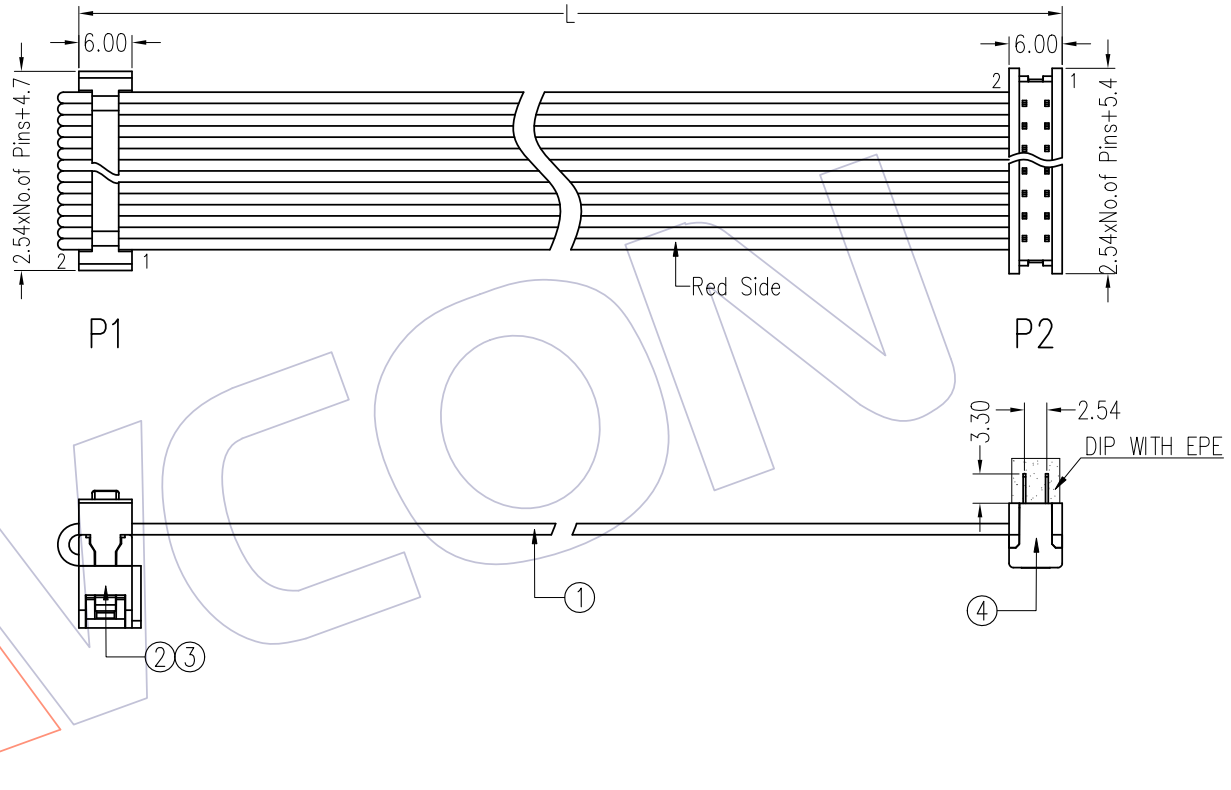
Ordering Information

FB12-XX S0 GB B XXX - 02

No. of Pins Contact Plating Conn. Color Length wcon Internal Code
 06-64 S0=Gold Flash/Ni B=Black

CONNECT METHOD		
P1	P2	COLOR
1	X	RED
2	X-1	GREY
3	X-2	GREY
4	X-3	GREY
X-1	2	GREY
X	1	GREY

L	
≤100	±5
101~300	±10
301~1000	±15
>1000	±1.5%



④	5310-XXBS0B01	CONN.	2.54 DIP Plug,XXP,PBT,BK,Brass,Sel.G'F/Ni	1	PCS
③	G5210-XXDB01	SR	2.54 IDC SR,XXP,PBT,BK	1	PCS
②	5212-XXYBS0BW01	CONN.	2.54 IDC Socket,XXP, Spring Type,W/T Bump,PBT,BK,Brass,Sel.G'F/Ni	1	PCS
①	F1U-C28GXXD0-XXXX-X	WIRE	1.27 Flat Cable,XXP,PVC Grey,Red Side,UL2651,28AWG(7/0.12)	XXX	MM
NO.	PART NO.	NAME	TITLE	QT'Y	UNIT

REV	DATE	MODIFICATION DESCRIPTION	CHANGE	OPERATION	DRAW	DATE	SCALE	Fit	PART NO.
AO	2020/03/27	NEW	-----	x.x ±0.40	CGR	2020/03/27	UNIT	mm [inch]	FB12-XXS0GBBXXX-02
				x.xx ±0.25	CHECK	DATE	SIZE	A4	TITLE:
				x.xxx ±0.15	APPROVE	DATE	SHEET	1/1	2.54 IDC TO 2.54 DIP
				Angle ± 3°			PROJ.		Customer NO.
				DIM TOL					

WCON

Http: www.wcon.com

WCON-Dongguan WCON-Kunshan
 Tel: +86 769 85358920 Tel: +86 512 57468408
 Fax: +86 769 85358915 Fax: +86 512 57468468
 E-mail: sales@wcon.com E-mail: salesks@wcon.com