

# HSF

## CONNECTOR SPEC.:

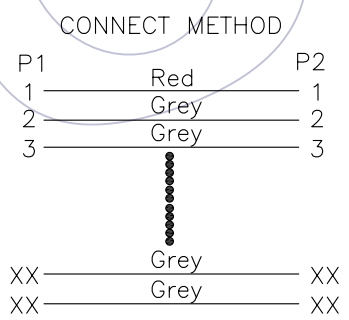
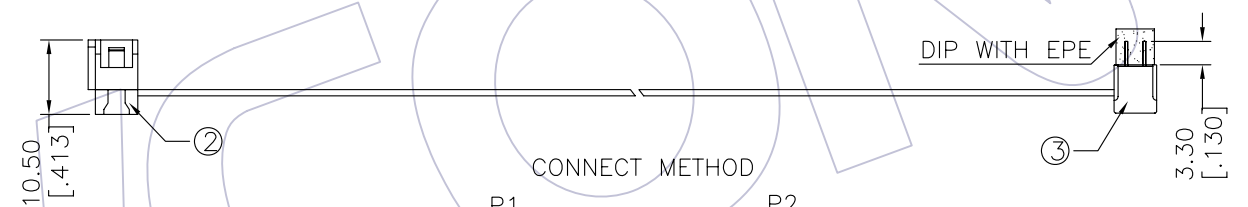
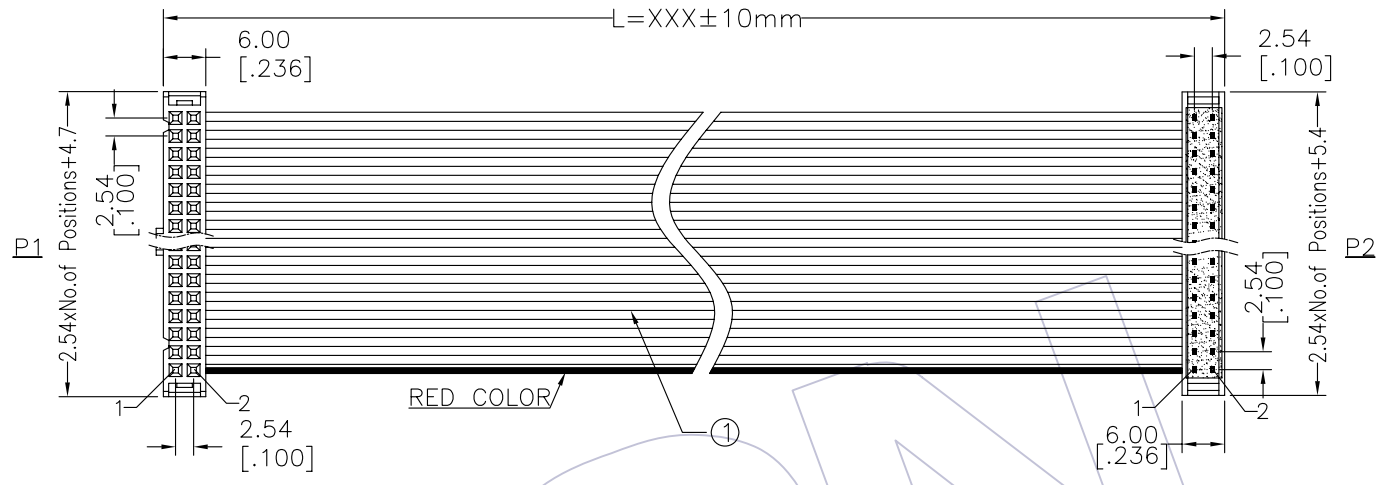
Insulation Material:PBT+30%GF(UL94V-0)  
 IDC Contact Material:Phosphor Bronze/Brass  
 IDC Contact plating:Au or Sn Over Ni  
 DIP Contact Material:Brass  
 DIP Contact plating:Sn Over Ni

## SPECIFICATIONS

Insulation Resistance:5MΩ Min  
 Contact Resistance:1.0Ω Max  
 Withstand Voltage:DC 300V,10S  
 The Cable Assembly Must 100% Test

## CABLE MATERIAL

Insulation:UL 2651,Grey Red Side  
 Conductor:28AWG(7/0.12mm)  
 Electrical:300V



## Ordering Information

FB12- XX XX F A X XXX - 02

No.OF Pins 04~64p  
 Contact Plating:  
 G0=Gold Flash  
 G3=10u"Gold  
 G4=15u"Gold  
 G5=30u"Gold  
 S0=Gold Flash/Ni  
 S3=10u"Gold/Ni  
 S4=15u"Gold/Ni  
 S5=30u"Gold/Ni  
 SN=Tin  
 Connector Color:  
 B=Black  
 G=Grey 427C  
 Length of Line(mm)  
 Connector Direction:  
 F=Same Direction

③	5310-XXBXXX01	CONN.	2.54 DIP **P PBT Color:XXX Brass Plating Xu" gold	1	PCS
②	5212-XXYXXXBW01	CONN.	2.54 IDC **P PBT Color:XXX Material:XX,With Bump Plating Xu" gold	1	PCS
①	F1U-C28GXXD0-XXXX-1	WIRE	UL2651 PH1.27mm XXP 28AWG(7/0.12TC) PVC Grey Marking Red Side	XXX	MM
NO.	PART NO.	NAME	TITLE	QT'Y	UNIT

AO	11/01/14	NEW			OPERATION	DRAW	BEN	11/01/14	SCALE	1:1	<b>WCON</b> 维峰五金电子有限公司 WAFE HARDWARE ELECTRONICS CO. LTD												
REV	DATE	MODIFICATION DESCRIPTION	CHANGE	APPROVE	<table border="1"> <tr> <td>x.x</td> <td>±0.40</td> </tr> <tr> <td>x.xx</td> <td>±0.25</td> </tr> <tr> <td>x.xxx</td> <td>±0.15</td> </tr> <tr> <td>Angle</td> <td>± 3'</td> </tr> <tr> <td>DIM</td> <td>TOL</td> </tr> </table>	x.x	±0.40	x.xx	±0.25	x.xxx		±0.15	Angle	± 3'	DIM	TOL	DESIGN			UNIT	mm	PART NO.	FB12-XXXXFAXXXX-02
x.x	±0.40																						
x.xx	±0.25																						
x.xxx	±0.15																						
Angle	± 3'																						
DIM	TOL																						
					CHECK			SIZE	A4	TITLE:	2.54 IDC TO 2.54 DIP Drawing												
					APPROVE			SHEET	1/1	Customer NO.													
								PROJ.	☯														