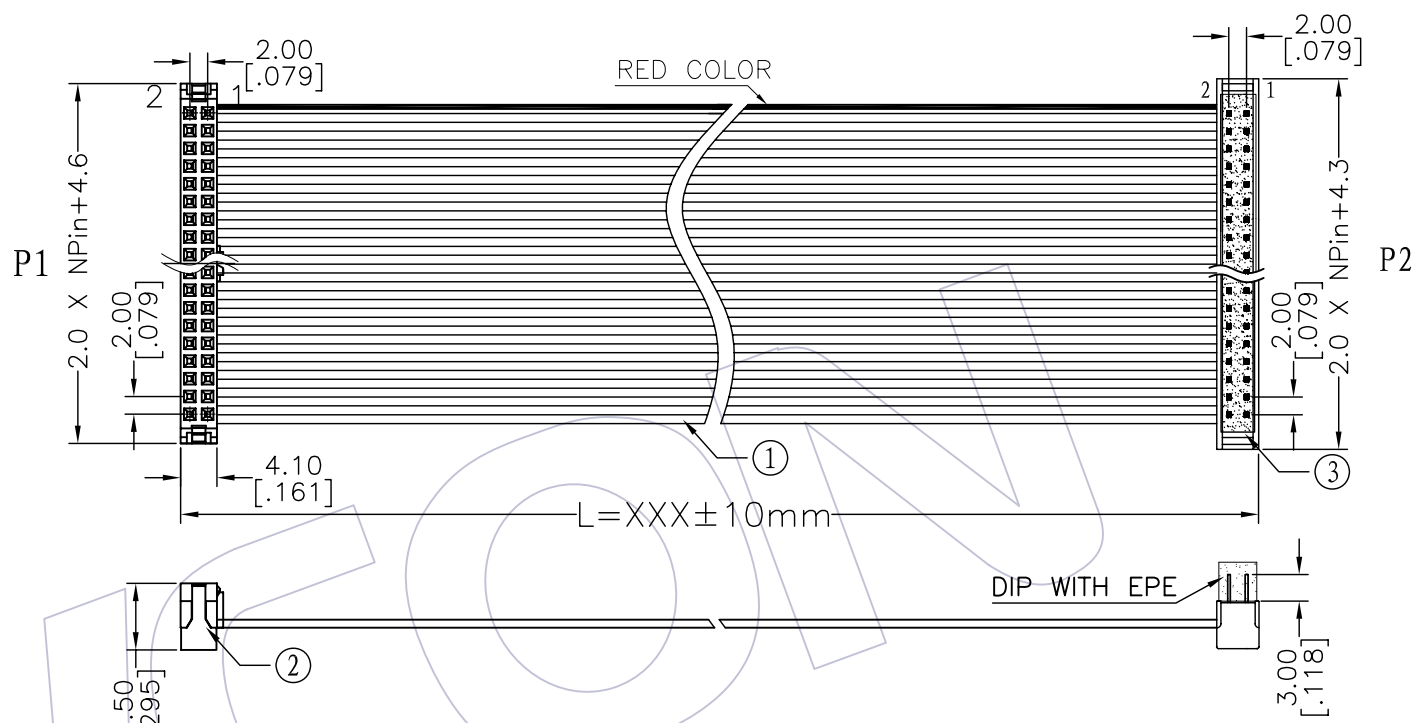


HSF

HOUSING MATERIAL
 Insulation Material:PBT+30%GF(UL94V-0)
 IDC Contact Material:Phosphor Bronze
 DIP Contact Material:Brass
 Contact plating:Au or Sn Over Ni

SPECIFICATIONS
 Insulation Resistance:5MΩ Min
 Contact Resistance:1.0Ω Max
 Withstand Voltage:DC 300V, 10S
 The Cable Assembly Must 100% Test

CABLE MATERIAL
 Insulation:UL 2651,Grey Red Side
 Conductor:28AWG(7/0.12mm)
 Electrical:300V

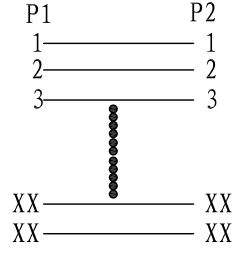


Ordering Information

FB22 - xx xx F A B xxx - 91

No. OF Pins: 04-64p
 Contact Plating:
 G0=Gold Flash
 G3=10u"Gold
 G4=15u"Gold
 G5=30u"Gold
 S0=Gold Flash/Ni
 S3=10u"Gold/Ni
 S4=15u"Gold/Ni
 S5=30u"Gold/Ni
 SN=Tin
 Connector Color:
 B=Black
 Connector Direction:
 F=same Direction
 Length of Line(mm)

CONNECT METHOD



| NO. | PART NO. | NAME | TITLE | QT'Y | UNIT |
|-----|---------------------|-------|--|------|------|
| ③ | 5320-XXBXXB01 | CONN. | 2.00 DIP **P PBT Black Brass Plating Xu" gold | 1 | SET |
| ② | 5224-XXYPXXBW01 | CONN. | 2.00 IDC **P F TYPE PBT Black Phosphor Bronze Plating Xu" gold | 1 | SET |
| ① | F1U-B28GXXD0-XXXX-1 | WIRE | UL2651 PH1.0mm XXP 28AWG(7/0.12TC) PVC Grey Marking Red Side | XXXX | MM |

| REV | DATE | MODIFICATION DESCRIPTION | CHANGE | APPROVE | OPERATION | DRAW | BEN | 09/08/26 | SCALE | 1:1 | UNIT | mm | WCON 维峰五金电子有限公司 | WAFE HARDWARE ELECTRONICS CO. LTD |
|-----|----------|--------------------------|--------|---------|-----------|-------|---------|----------|-------|-----|------|----|-----------------|-----------------------------------|
| AO | 09/08/26 | NEW | | | X.X | ±0.40 | DESIGN | | | | | | PART NO. | FB22 -xxxxFABxxx- 91 |
| | | | | | X.XX | ±0.25 | CHECK | | | | | | TITLE: | 2.00 F TYPE IDC Drawing |
| | | | | | X.XXX | ±0.15 | APPROVE | | | | | | Customer NO. | |
| | | | | | Angle | ± 3' | | | | | | | | |
| | | | | | DIM | TOL | | | | | | | | |