

HSF

HOUSING MATERIAL

Insulation Material:PBT+30%GF(UL94V-0)

IDC Contact Material:Phosphor Bronze

DIP Contact Material:Brass

Contact plating:Au Over Ni

SPECIFICATIONS

Insulation Resistance:5MΩ Min

Contact Resistance:1.0Ω Max

Withstand Voltage:DC 300V, 10S

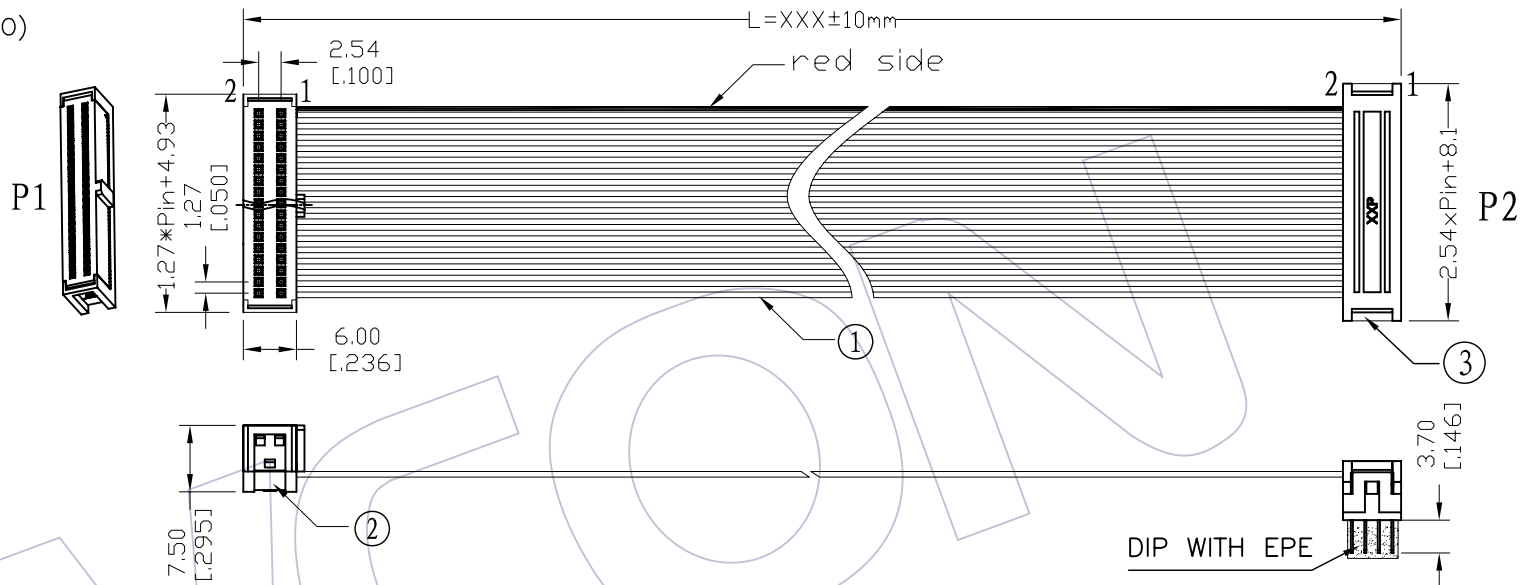
The Cable Assembly Must 100% Test

CABLE MATERIAL

Insulation:UL 2678,Grey Red Side

Conductor:30AWG(7/0.102mm)

Electrical:300V



Ordering Information

FB42 - xx xx G A B xxx - 01

No.OF Pins
40~100P

Contact Plating:
G0=Gold Flash
G3=10u"Gold
G4=15u"Gold
G5=30u"Gold

S0=Gold Flash/Ni
S3=10u"Gold/Ni
S4=15u"Gold/Ni
S5=30u"Gold/Ni
SN=Tin

Connector Color:
B=Black

Connector Direction:
G=Opposite Direction

Length of Line(mm)

CONNECT METHOD

P1 P2
1 1
2 2
3 3

XX XX
XX XX

③	5343-XXBXXB	CONN.	1.27*2.54 DIP **P PBT Black Brass Plating Xu" gold	1	SET
②	5242-XXYPXXBW01	CONN.	1.27*2.54 IDC **P PBT Black With Bump Phosphor Bronze Plating Xu" gold	1	SET
①	F3U-A30GXXD0-XXXX-1	WIRE	UL2678 PH0.635mm XXP 30AWG(7/0.102TC) PVC Grey Marking Red Side	XXXX	MM
NO.	PART NO.	NAME	TITLE	QT'Y	UNIT

					OPERATION	DRAW	BEN	09/08/20	SCALE	1:1	WCON 维峰五金电子有限公司 WAFE HARDWARE ELECTRONICS CO. LTD	
					X.X ±0.40	DESIGN			UNIT	mm		
					X.XX ±0.25	CHECK			SIZE	A4		
					X.XXX ±0.15	APPROVE			SHEET	1/1		
AO	09/08/20		NEW		Angle ± 3'				PROJ.	Customer NO.	PART NO.	FB42 -xxxxGABxxx-01
REV	DATE		MODIFICATION DESCRIPTION	CHANGE	DIM TOL						TITLE:	1.27*2.54 IDC Drawing