

HSF

NOTES:
 Current Rating:8A/Pin(AT 30°C Rise, 20% Derated)
 Voltage Rating:400V/AC
 Contact Resistance:20mΩ Max.
 Withstand Voltage:1500V AC
 Insulation Resistance:1000MΩ Min.
 Operation Temperature:-40°C to +105°C
 Insulator Material:PA66,G.F,UL94V-0,White

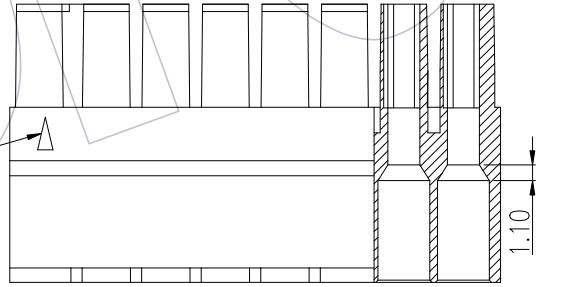
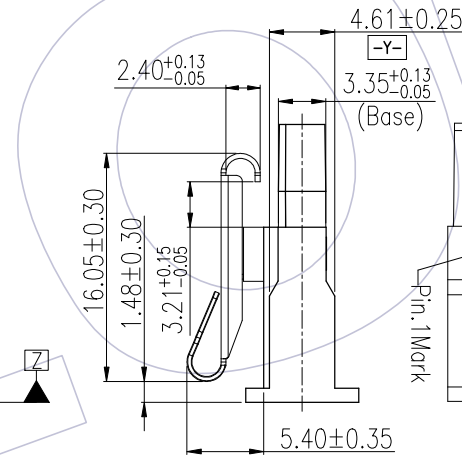
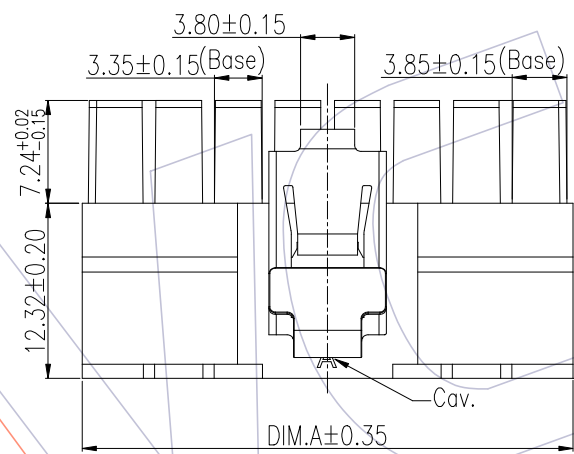
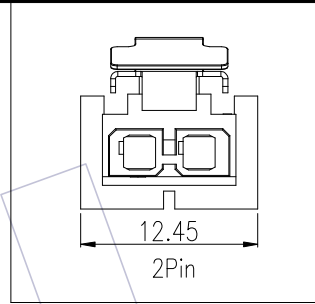
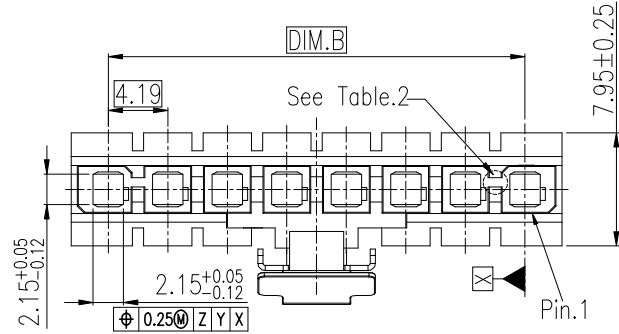
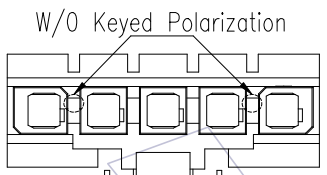
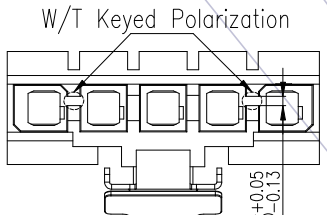


Table.2:

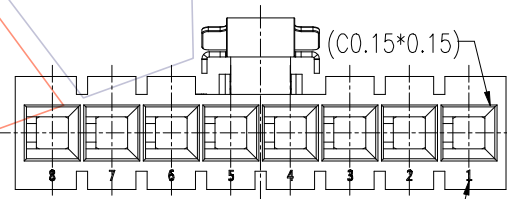


WF4191-1HXXWX3



WF4191A-1HXXWX3

0.65±0.05
0.13



PIN NO.

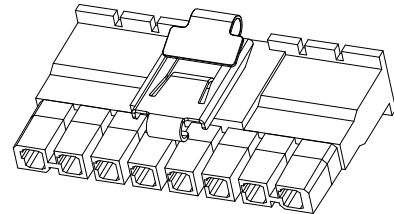


Table.1:

PIN No.	Part No.	Dimension	
		A	B
2P	WF4191(A)-1H02WX3	12.45	4.19
3P	WF4191(A)-1H03WX3	13.59	8.38
4P	WF4191(A)-1H04WX3	17.78	12.57
5P	WF4191(A)-1H05WX3	21.97	16.76
8P	WF4191(A)-1H08WX3	34.54	29.33
10P	WF4191(A)-1H10WX3	42.92	37.71
15P	WF4191(A)-1H15WX3	63.87	58.66

OPERATION	DRAW	DATE	SCALE	Fit	PART NO.
x.x ±0.40	Andrey	2020/12/09	UNIT	mm	WF4191(A)-1HXXWX3
x.xx ±0.25	CHECK	DATE	SIZE	A4	TITLE:
x.xxx ±0.15	APPROVE	DATE	SHEET	1/3	4.19mm Housing Single Row, Metal Latch, Crimp Type, Type 1
Angle ± 3'			PROJ.	Customer NO.	
DIM TOL					
AO 2020/12/09	NEW RELEASE	Andrey			
REV	DATE	MODIFICATION DESCRIPTION	CHANGE		

WCON
 Http: www.wcon.com

WCON-Dongguan Tel: +86 769 85358920 Fax: +86 769 85358915 E-mail: sales@wcon.com

WCON-Kunshan Tel: +86 512 57468408 Fax: +86 512 57468468 E-mail: salesks@wcon.com

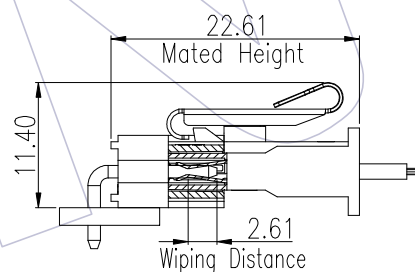
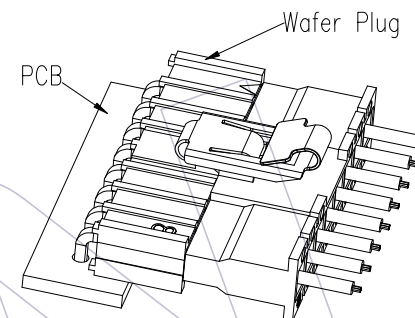
HSF

Ordering Information

WF 4191 A- 1 H XX W 0 3

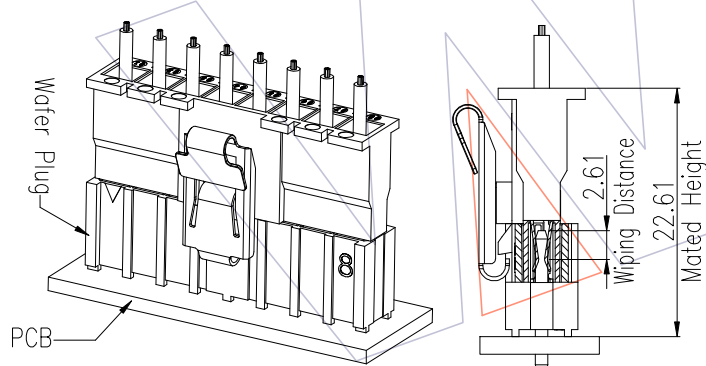
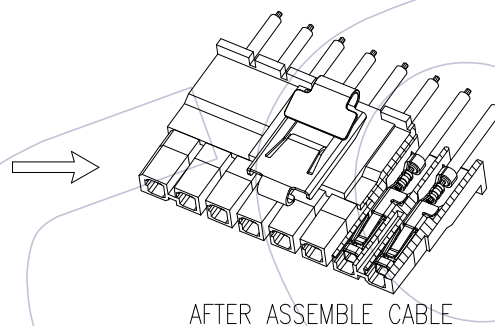
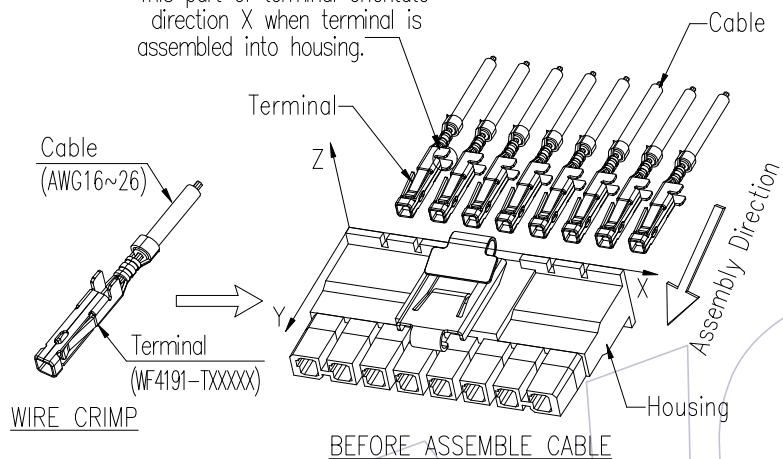
Company Code:	Wcon Internal Code:
Series Code:	1~9
419= 4.19mm Pitch	Packing:
1= First series	0=PE Bag(2P~5P)
Specification Code:	T=TUBE(6P~15P)
A=W/T Keyed Polarization	Color:
Blank=W/0 Keyed Polarization	W=White
Row Code:	No. of Pins:
1=Single Row	2P~15P
2=Double Row	Type Code:
	H=Wrting Type

MATING VIEW

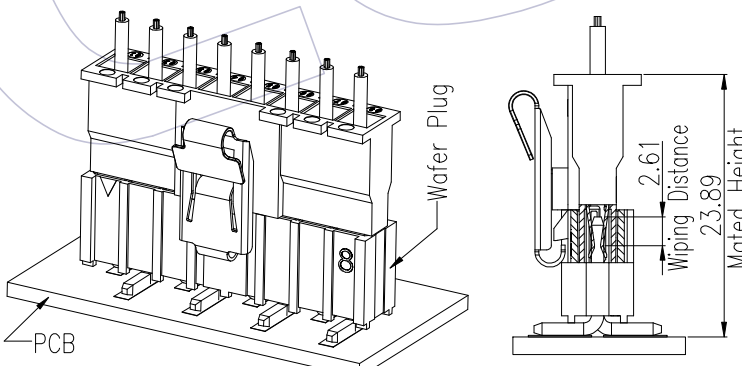


Plug:(R/A DIP TYPE)

This part of terminal orientate direction X when terminal is assembled into housing.



Plug:(S/T DIP TYPE)



Plug:(S/T SMT TYPE)

HOUSING	ADAPTATION	WAFER
WF4191-1HXXWX3	WF4191-1WRXXXXBX1	
	WF4191-1WSXXXXBX1	
	WF4191-1WMXXXXBX1	
WF4191A-1HXXWX3	WF4191A-1WRXXXXBX1	
	WF4191A-1WSXXXXBX1	
	WF4191A-1WMXXXXBX1	

OPERATION	DRAW	DATE	SCALE	Fit	PART NO.
x.X ±0.40	Andrey	2020/12/09	UNIT	mm	WF4191(A)-1HXXWX3
x.XX ±0.25	CHECK	DATE	SIZE	A4	TITLE:
x.XXX ±0.15	APPROVE	DATE	SHEET	2/3	4.19mm Housing Single Row, Metal Latch, Crimp Type, Type 1
Angle ± 3'			PROJ.	⌀	Customer NO.
DIM TOL					

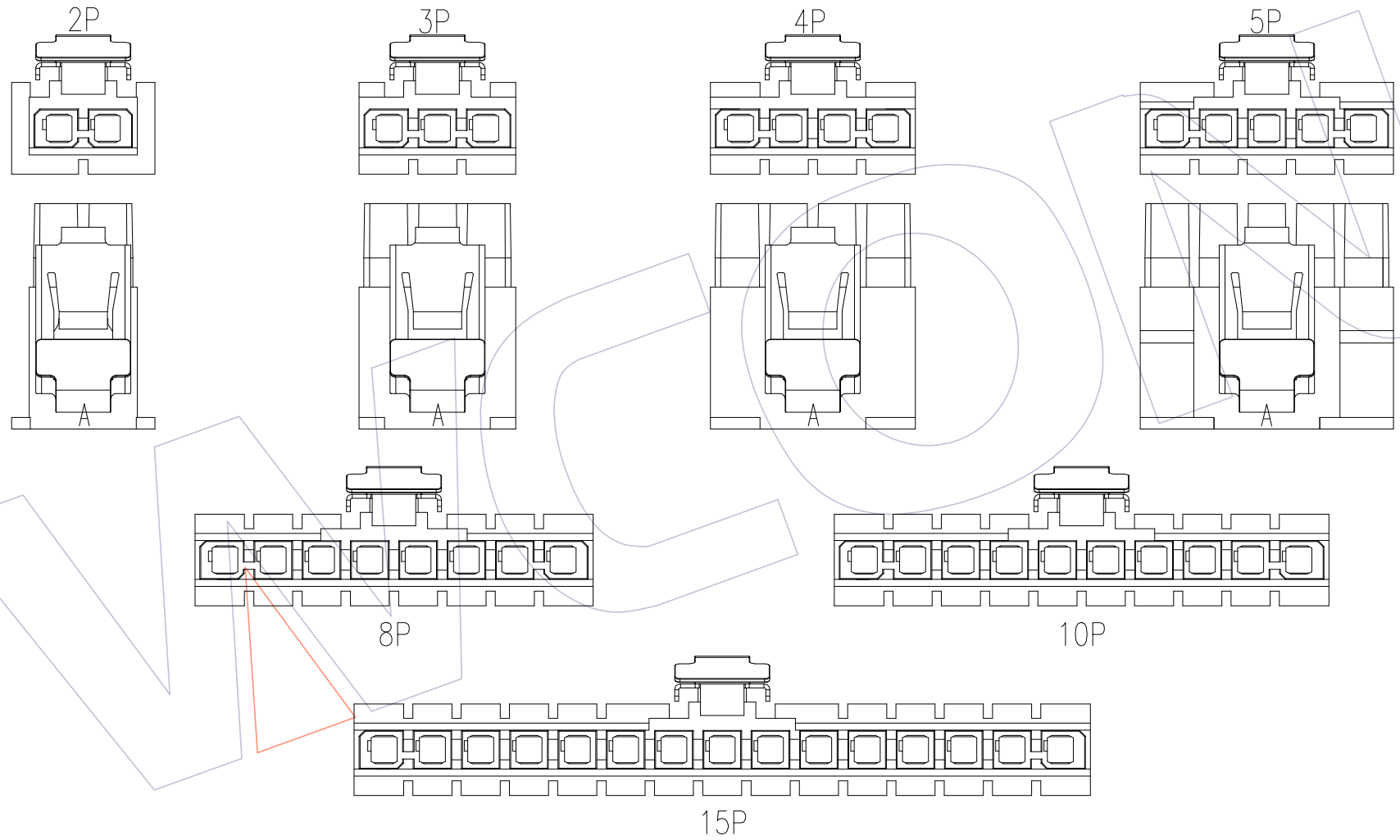
WCON

Http: www.wcon.com

WCON-Dongguan Tel: +86 769 85358920 Fax: +86 769 85358915 E-mail: sales@wcon.com	WCON-Kunshan Tel: +86 512 57468408 Fax: +86 512 57468468 E-mail: salesks@wcon.com
---	--

AO	2020/12/09	NEW RELEASE	Andrey
REV	DATE	MODIFICATION DESCRIPTION	CHANGE

HSF



				OPERATION	DRAW	DATE	SCALE	Fit	PART NO.
				x.X ±0.40	Andrey	2020/12/09	UNIT	mm	WF4191(A)-1HXXWX3
				x.XX ±0.25	CHECK	DATE	SIZE	A4	TITLE:
AO	2020/12/09	NEW RELEASE	Andrey	x.XXX ±0.15	APPROVE	DATE	SHEET	3/3	4.19mm Housing Single Row, Metal Latch, Crimp Type, Type 1
REV	DATE	MODIFICATION DESCRIPTION	CHANGE	Angle ± 3'			PROJ.	⊕	Customer NO.
				DIM TOL					

WCON

Http: www.wcon.com

WCON-Dongguan Tel: +86 769 85358920 Fax: +86 769 85358915 E-mail: sales@wcon.com	WCON-Kunshan Tel: +86 512 57468408 Fax: +86 512 57468468 E-mail: salesks@wcon.com
---	--