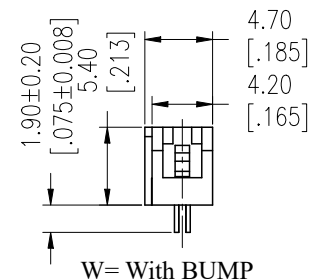
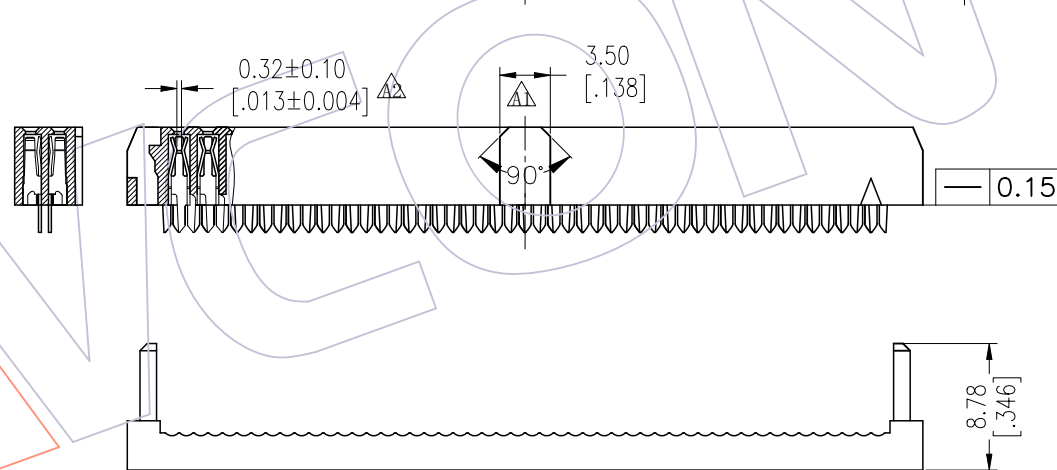
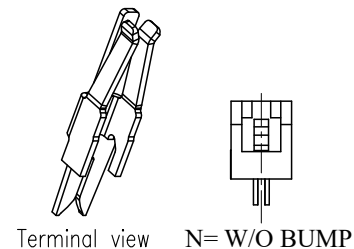
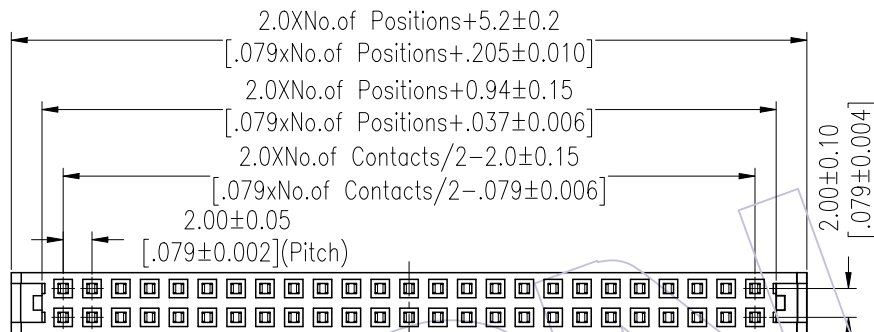


# HSF

**NOTES:**

Current Rating: 1.0AMP  
 Contact Resistance: 20mΩ max  
 Insulation Resistance: 1000MΩ min  
 Withstand Voltage: 500V AC/Minute  
 Operation Temperature: -40°C to +105°C  
 Contact plating: Au or Sn over Ni  
 Contact Material: Phosphor Bronze  
 Insulation Material: PBT+30%GF (UL94V-0) Black



## Ordering Information

5221- XX U P XX B X 0 1

Two Parts Conn+Cover	No. of Pins 06P 26P 08P 30P 10P 34P 12P 36P 14P 40P 16P 44P 18P 50P 20P 60P 22P 64P 24P	Contact Plating S0=Gold Flash/Ni S3=10u"Gold/Ni S4=15u"Gold/Ni S5=30u"Gold/Ni SN=Tin	Color Insulator B=Black G=Grey(427C)	Bump N=W/O Bump W=With Bump
-------------------------	---	---	--	-----------------------------------

A3	2022/05/25	Modify TITLE	△3	Du Ying	OPERATION	DRAW	DATE	SCALE	FIT	PART NO. 5221-XXUPXXBX01
A2	2017/06/01	Modify	△2	Ding	x.X ±0.40	Du Ying	2022/05/25	UNIT	mm	
A1	2016/12/30	Modify Bump	△1		x.XX ±0.25	CHECK	DATE	SIZE	A4	
A0	2013/10/07	NEW DRAWING			x.XXX ±0.15	APPROVE	DATE	SHEET	1/2	
REV	DATE	MODIFICATION DESCRIPTION	CHANGE		Angle ± 3° DIM TOL		DATE	PROJ.	Customer NO.	

# WCON

Http: www.wcon.com

WCON-Dongguan Tel: +86 769 85358920 Fax: +86 769 85358915 E-mail: sales@wcon.com

WCON-Kunshan Tel: +86 512 57468408 Fax: +86 512 57468468 E-mail: salesks@wcon.com

TITLE:  
2.00 IDC SOCKET  
(TWO SIDE CONTACT)