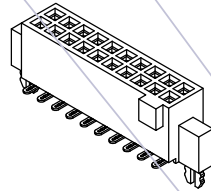


HSF

NOTES:
 Current Rating: 3.2AMP Per Pin(2 Pins Powered)
 Voltage Rating: 250VAC
 Contact Resistance: 30mΩ Max
 Withstand Voltage: 750V AC
 Insulation Resistance: 1000MΩ Min
 Operation Temperature: -55℃ to +125℃
 Contact Material: Copper Alloy
 Contact plating:
 XXu" Gold On Contact Area,
 (See Ordering Information)
 100u" Matte Tin On Solder Area
 50u" Nickel Underplating Overall
 Insulator And Cap Material: LCP,G,F,UL94V-0,Black

Recommended Process:
 Reflow Soldering, Peak Temperature: 260±5℃
 For 10+/-1s



3D VIEW

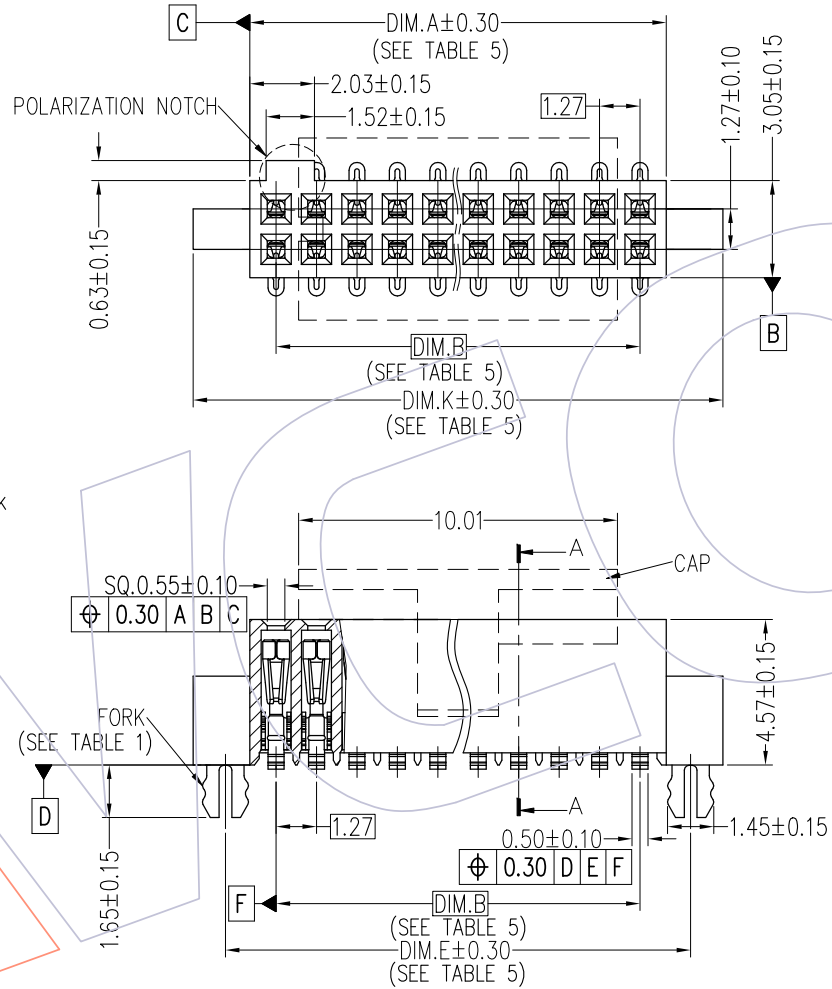
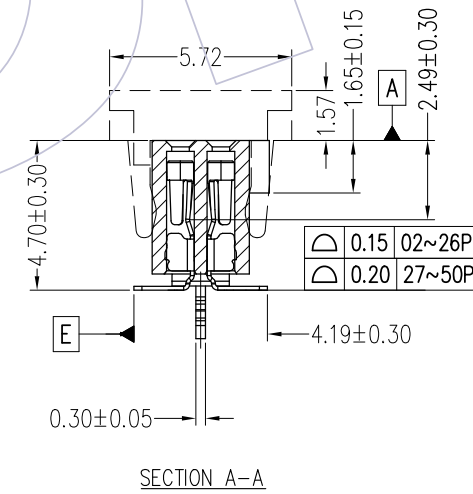


TABLE 1

PART NO.	Fork
3601-SXXX-CX1MXXX01	Yes
3601-SXXX-CX1MXXX02	No

TABLE 2

Item	Pitch	Mating
Standard	1.27	3601-P
Alternative		



REV	DATE	MODIFICATION DESCRIPTION	CHANGE	OPERATION	DRAW	DATE	SCALE	FIT	PART NO.
AO	2021/10/20	NEW	Ken	x.x ±0.40	Ken	2021/10/20	UNIT	mm	3601-SXXX-CX1MXXX0X
				x.xx ±0.25	CHECK	DATE	SIZE	A4	TITLE:
				x.xxx ±0.15	APPROVE	DATE	SHEET	1/8	1.27mm BTB Female Header W=3.05, -LC STYLE, SMT
				Angle ± 3°			PROJ.	⌀	Customer NO.
				DIM TOL					

WCON

Http: www.wcon.com

WCON-Dongguan Tel: +86 769 85358920 Fax: +86 769 85358915 E-mail: sales@wcon.com	WCON-Kunshan Tel: +86 512 57468408 Fax: +86 512 57468468 E-mail: salesks@wcon.com
-------------------------------------------------------------------------------------------	--------------------------------------------------------------------------------------------

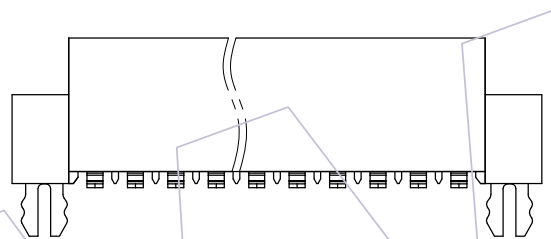
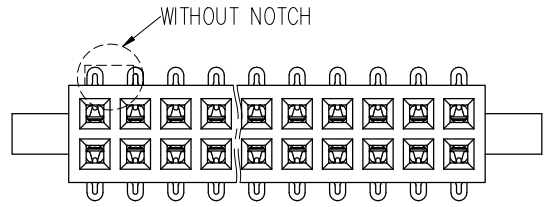
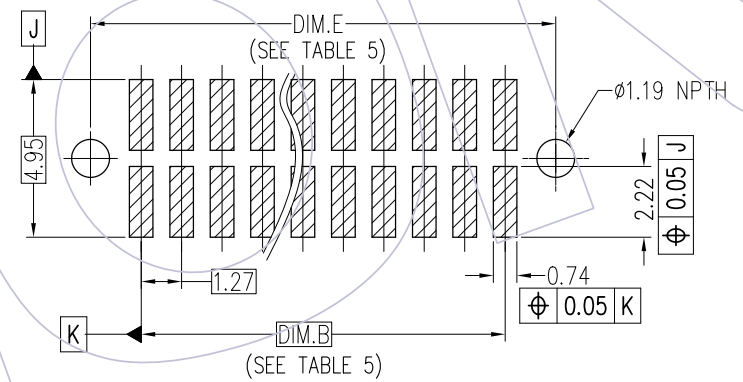


FIG. 2
WITHOUT NOTCH
(SAME AS FIG. 1, DIFFERENT AS SHOWN)

Recommended P.C.B Layout (Top Side)
(PCB BOARD TOLERANCE ±0.05)



				OPERATION	DRAW	DATE	SCALE	FIT	PART NO.
				x.x ±0.40	Ken	2021/10/20	UNIT	mm	3601-SXXX-CX1MXXX0X
				x.xx ±0.25	CHECK	DATE	SIZE	A4	TITLE:
				x.xxx ±0.15			SHEET	2/8	1.27mm BTB Female Header
AO	2021/10/20	NEW	Ken	Angle ± 3°	APPROVE	DATE	PROJ.	Customer NO.	W=3.05, -LC STYLE, SMT
REV	DATE	MODIFICATION DESCRIPTION	CHANGE	DIM TOL					



Http: www.wcon.com

WCON-Dongguan Tel: +86 769 85358920 Fax: +86 769 85358915 E-mail: sales@wcon.com	WCON-Kunshan Tel: +86 512 57468408 Fax: +86 512 57468468 E-mail: salesks@wcon.com
-------------------------------------------------------------------------------------------	--------------------------------------------------------------------------------------------

TABLE 3

NO. OF POS.	DIM.M
05, 07, 08	2.03
10 THRU 50	7.75

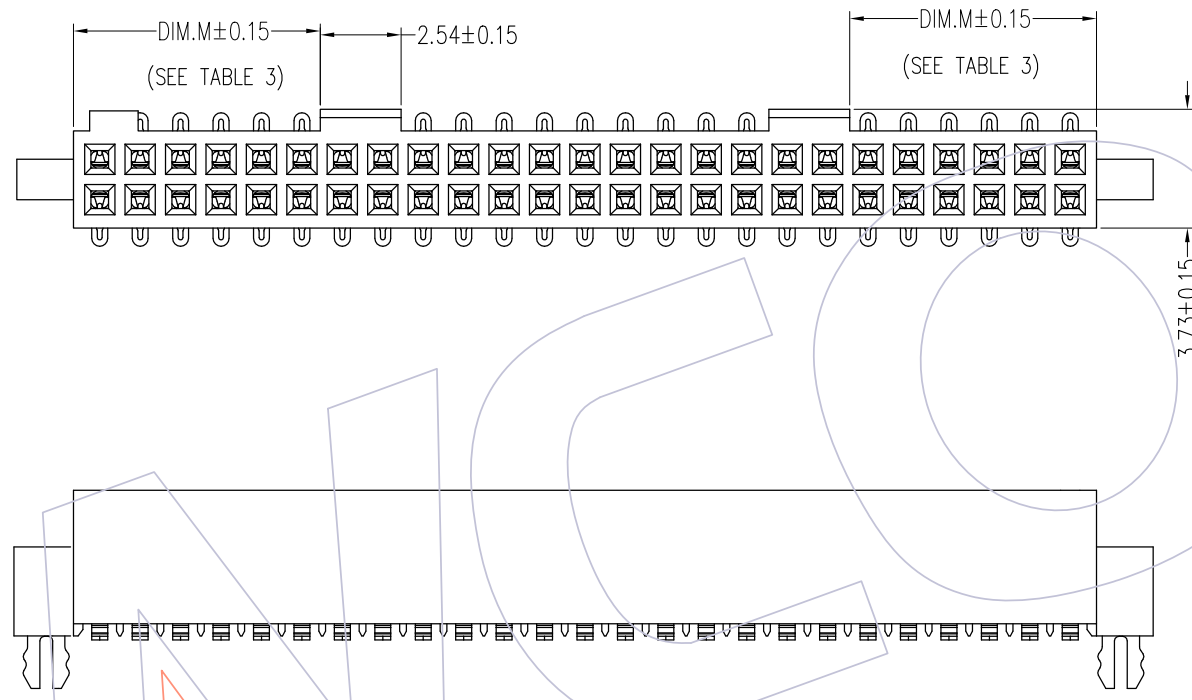


FIG. 3
HOUSING WITH LOCKING
POSITION 25 PER ROW
(SAME AS FIG.1, DIFFERENT AS SHOWN)

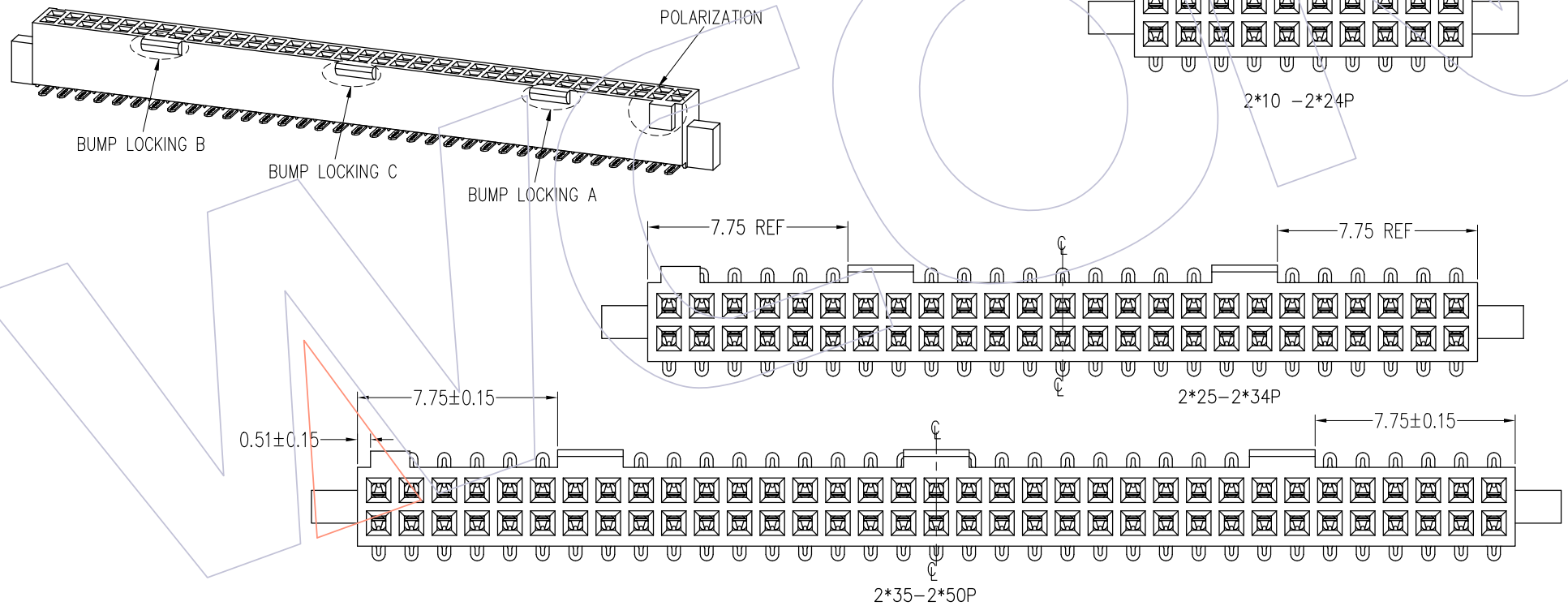
REV	DATE	MODIFICATION DESCRIPTION	CHANGE	OPERATION	DRAW	DATE	SCALE	FIT	PART NO.
AO	2021/10/20	NEW	Ken	x.x ±0.40	Ken	2021/10/20	UNIT	mm	3601-SXXX-CX1MXXX0X
				x.xx ±0.25	CHECK	DATE	SIZE	A4	TITLE:
				x.xxx ±0.15	APPROVE	DATE	SHEET	3/8	1.27mm BTB Female Header W=3.05, -LC STYLE, SMT
				Angle ± 3°			PROJ.	⌀	Customer NO.
				DIM TOL					

WCON
Http: www.wcon.com

WCON-Dongguan Tel: +86 769 85358920 Fax: +86 769 85358915 E-mail: sales@wcon.com	WCON-Kunshan Tel: +86 512 57468408 Fax: +86 512 57468468 E-mail: salesks@wcon.com
-------------------------------------------------------------------------------------------	--------------------------------------------------------------------------------------------

TABLE 4

No.	Pin Number (Per Row)	POLARIZATION	BUMP LOCKING A	BUMP LOCKING B	BUMP LOCKING C
4	2*5,2*7,2*8	NO	YES	NO	NO
3	2*10-2*24	YES	YES	NO	NO
3	2*25-2*34	YES	YES	YES	NO
3	2*35-2*50	YES	YES	YES	YES
2	ALL	NO	NO	NO	NO
1	2*5-2*50	YES	NO	NO	NO



				OPERATION	DRAW	DATE	SCALE	FIT	PART NO.
				x.x ±0.40	Ken	2021/10/20	UNIT	mm	3601-SXXX-CX1MXXX0X
				x.xx ±0.25	CHECK	DATE	SIZE	A4	TITLE:
AO	2021/10/20	NEW	Ken	x.xxx ±0.15	APPROVE	DATE	SHEET	4/8	1.27mm BTB Female Header W=3.05, -LC STYLE, SMT
REV	DATE	MODIFICATION DESCRIPTION	CHANGE	Angle ± 3°			PROJ.	Customer NO.	
				DIM TOL					

WCON
 Http: www.wcon.com

WCON-Dongguan
 Tel: +86 769 85358920
 Fax: +86 769 85358915
 E-mail: sales@wcon.com

WCON-Kunshan
 Tel: +86 512 57468408
 Fax: +86 512 57468468
 E-mail: salesks@wcon.com

HSF

Ordering Information

3601 - S XXX -C X1M XX X 0X

No.Of Pins:
04-100Pin
(See Table 5)

Internal Code:
1= Fork
2= No Fork
(See Table 1)


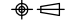
Packaging :
R=Tape & Reel+ Cap
T=Tube
P=Tube + Cap

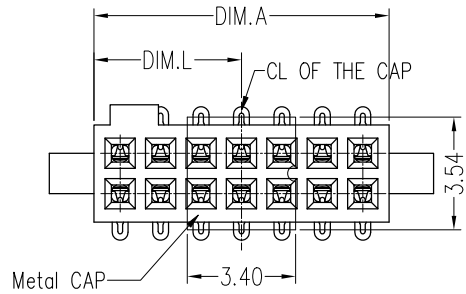
Housing Character:
1= Notch+No Bump Locking
2= No Notch+No Bump Locking
3= Notch+ Bump Locking
4= No Notch + Bump Locking
(SEE TABLE 4)

Contact Plating:
W1=3u" Gold/Matte Tin,
W2=5u" Gold/Matte Tin,
W3=10u" Gold/Matte Tin,
W4=15u" Gold/Matte Tin,
W5=30u" Gold/Matte Tin,

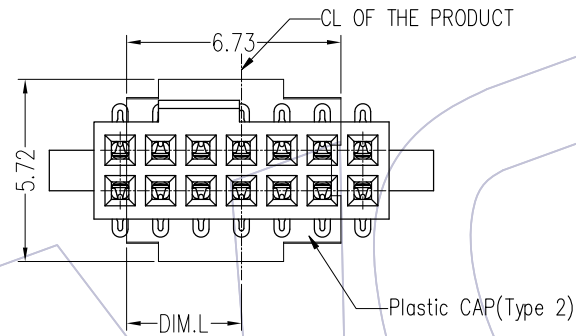
TABLE 5:

PIN No.(HOUSING WITH LOCKING)	PIN No.(HOUSING WITHOUT LOCKING)	Part Number	DIM.A	DIM.B	DIM.E	DIM.K
NA	4(2*2P)	3601-S004-CX1MXXX0X	2.92	1.27	4.45	6.48
NA	6(2*3P)	3601-S006-CX1MXXX0X	4.19	2.54	5.72	7.75
NA	8(2*4P)	3601-S008-CX1MXXX0X	5.46	3.81	6.99	9.02
10(2*5P)	10(2*5P)	3601-S010-CX1MXXX0X	6.73	5.08	8.26	10.29
NA	12(2*6P)	3601-S012-CX1MXXX0X	8.00	6.35	9.53	11.56
14(2*7P)	14(2*7P)	3601-S014-CX1MXXX0X	9.27	7.62	10.80	12.83
16(2*8P)	16(2*8P)	3601-S016-CX1MXXX0X	10.54	8.89	12.07	14.10
20(2*10P)	20(2*10P)	3601-S020-CX1MXXX0X	13.08	11.43	14.61	16.64
30(2*15P)	30(2*15P)	3601-S030-CX1MXXX0X	19.43	17.78	20.96	22.99
40(2*20R)	40(2*20P)	3601-S040-CX1MXXX0X	25.78	24.13	27.31	29.34
50(2*25P)	50(2*25P)	3601-S050-CX1MXXX0X	32.13	30.48	33.66	35.69
60(2*30P)	60(2*30P)	3601-S060-CX1MXXX0X	38.48	36.83	40.01	42.04
70(2*35P)	70(2*35P)	3601-S070-CX1MXXX0X	44.83	43.18	46.36	48.39
80(2*40P)	80(2*40P)	3601-S080-CX1MXXX0X	51.18	49.53	52.71	54.74
90(2*45P)	90(2*45P)	3601-S090-CX1MXXX0X	57.53	55.88	59.06	61.09
100(2*50P)	100(2*50P)	3601-S100-CX1MXXX0X	63.88	62.23	65.41	67.44

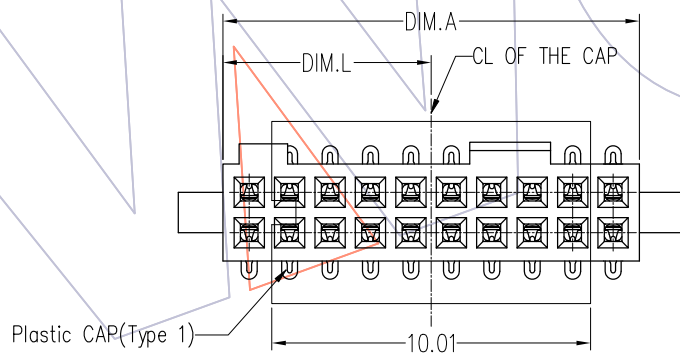
				OPERATION	DRAW	DATE	SCALE	FIT	PART NO.	 Http: www.wcon.com WCON-Dongguan Tel: +86 769 85358920 WCON-Kunshan Tel: +86 512 57468408 Fax: +86 769 85358915 E-mail: sales@wcon.com
				x.x ±0.40	Ken	2021/10/20	UNIT	mm	3601-SXXX-CX1MXXX0X	
				x.xx ±0.25	CHECK	DATE	SIZE	A4	TITLE: 1.27mm BTB Female Header W=3.05, -LC STYLE, SMT	
AO	2021/10/20	NEW	Ken	x.xxx ±0.15	APPROVE	DATE	SHEET	5/8	Customer NO.	
REV	DATE	MODIFICATION DESCRIPTION	CHANGE	Angle ± 3° DIM TOL			PROJ.			



Housing Character	PIN No.	DIM.L
No Notch+No Bump Locking	2*2P~2*7P	DIM.L=1/2*DIM.A
Notch+No Bump Locking	2*5P	DIM.L=3.73
	2*6P~2*7P	DIM.L=1/2*DIM.A



Housing Character	PIN No.	DIM.L
No Notch + Bump Locking	2*5P	DIM.L=3.37
	2*7P	DIM.L=3.61
	2*8P	DIM.L=4.24
Notch+ Bump Locking	2*35~2*50P	DIM.L=2.97



Housing Character	PIN No.	DIM.L
No Notch+No Bump Locking	2*8P~2*50P	DIM.L=1/2*DIM.A
Notch+No Bump Locking	2*8P~2*50P	DIM.L=1/2*DIM.A
Notch+ Bump Locking	2*10P~2*13P	DIM.L=6.48
	2*14P~2*17P	DIM.L=11.56
	2*18P~2*34P	DIM.L=1/2*DIM.A

OPERATION	DRAW	DATE	SCALE	FIT	PART NO.
x.x ±0.40	Ken	2021/10/20	UNIT	mm	3601-SXXX-CX1MXXXOX
x.xx ±0.25	CHECK	DATE	SIZE	A4	TITLE:
x.xxx ±0.15	APPROVE	DATE	SHEET	6/8	1.27mm BTB Female Header W=3.05, -LC STYLE, SMT
Angle ± 3°			PROJ.	Customer NO.	
DIM TOL					

AO	2021/10/20	NEW	Ken
REV	DATE	MODIFICATION DESCRIPTION	CHANGE

WCON

Http: www.wcon.com

WCON-Dongguan Tel: +86 769 85358920 Fax: +86 769 85358915 E-mail: sales@wcon.com	WCON-Kunshan Tel: +86 512 57468408 Fax: +86 512 57468468 E-mail: salesks@wcon.com
-------------------------------------------------------------------------------------------------------------------------------	----------------------------------------------------------------------------------------------------------------------------------

HSF

TABLE 5:

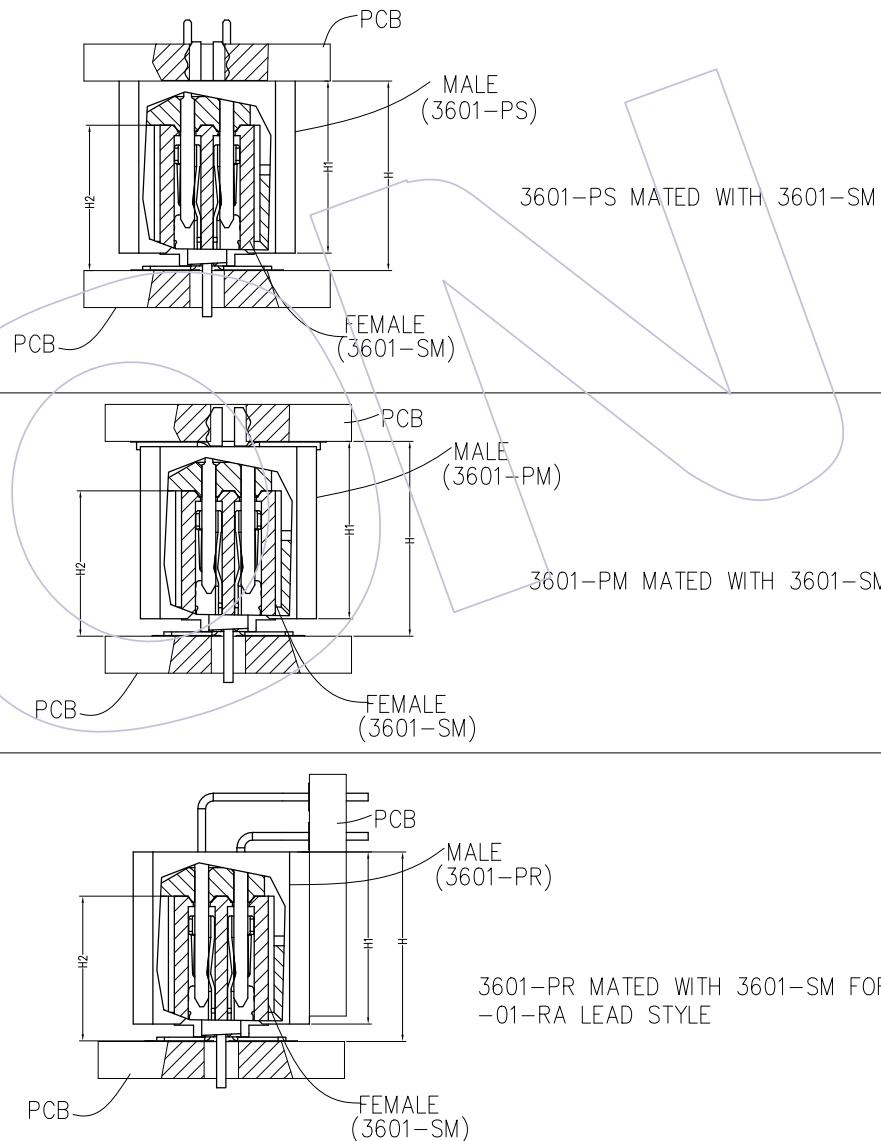
	3601-PS LEAD STYLE	ASS'Y HIGH(H) 3601-SM LEAD STYLE		MALE	FEMALE	WIPE	
		-02				FULLY MATED	MIN @ H MAX
		FULLY MATED	MAX	H1	H2		
		-01	6.15	6.60	5.59	4.83	0.84
-03	6.15	6.60	5.59	4.83	0.84	0.38	
-11	7.93	8.31	7.37	4.83	0.84	0.38	
-13	7.93	8.31	7.37	4.83	0.84	0.38	
-21	9.70	10.15	9.14	4.83	0.84	0.38	
-23	9.70	10.15	9.14	4.83	0.84	0.38	
-31	11.61	12.06	11.05	4.83	0.84	0.38	

TABLE 6:

	3601-PM LEAD STYLE	ASS'Y HIGH(H) 3601-SM LEAD STYLE		MALE	FEMALE	WIPE	
		-02				FULLY MATED	MIN @ H MAX
		FULLY MATED	MAX	H1	H2		
		-02	6.30	6.76	5.74	4.83	0.84
-12	8.08	8.54	7.52	4.83	0.84	0.38	
-22	9.86	10.32	9.30	4.83	0.84	0.38	
-32	11.76	12.22	11.20	4.83	0.84	0.38	

TABLE 7:

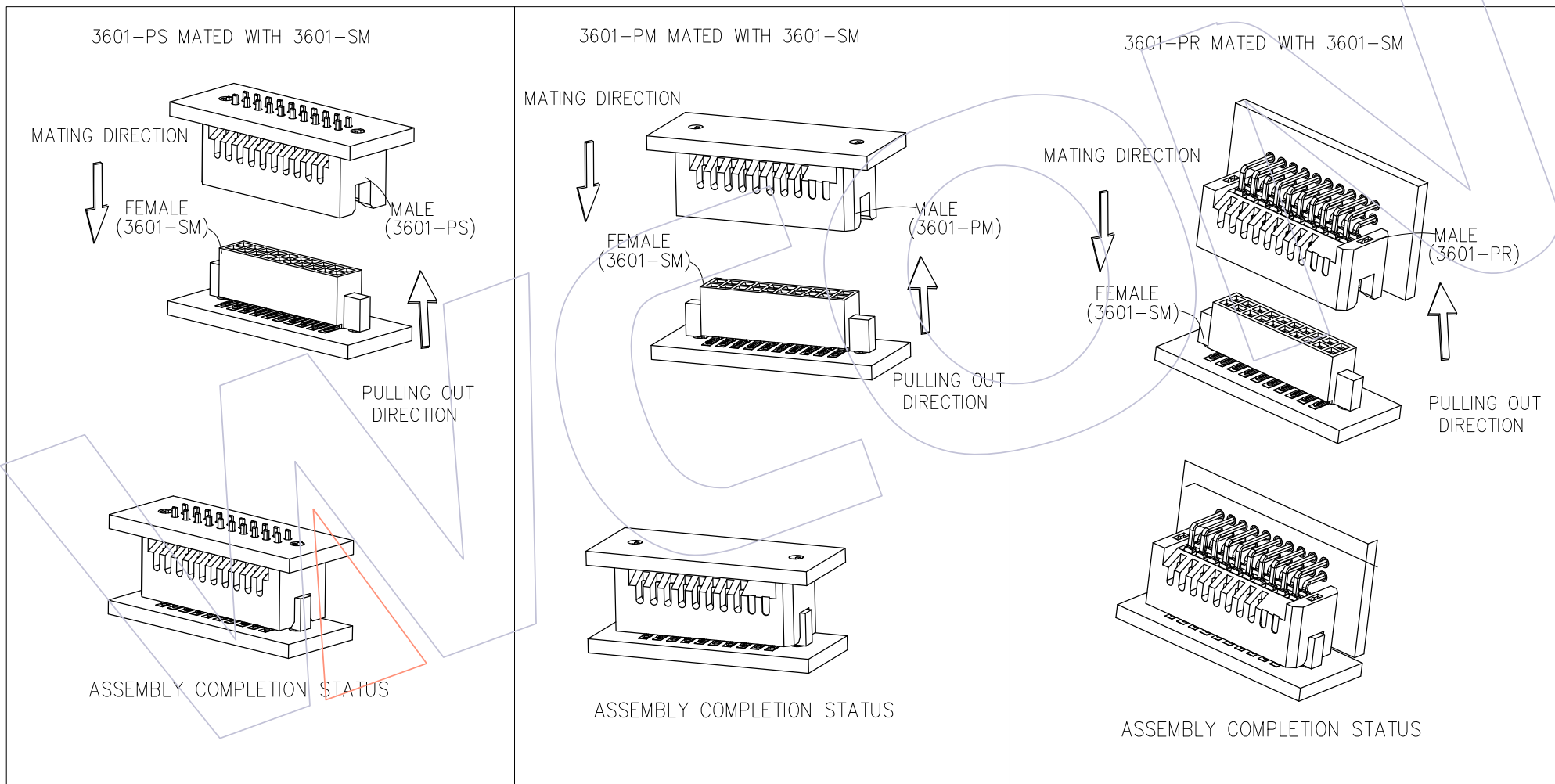
	3601-PR LEAD STYLE	ASS'Y HIGH(H) 3601-SM LEAD STYLE		MALE	FEMALE	WIPE	
		-02				FULLY MATED	MIN @ H MAX
		FULLY MATED	MAX	H1	H2		
		-01-RA	6.15	6.60	5.59	4.83	0.84
-01-RE1	6.13	6.60	6.10	4.83	0.84	0.38	
-01-RE2	6.13	6.60	6.10	4.83	0.84	0.38	




REV	DATE	MODIFICATION DESCRIPTION	CHANGE	OPERATION		DRAW Ken	DATE 2021/10/20	SCALE UNIT	FIT mm	PART NO. 3601-SXXX-CX1MXXX0X
				X.X	±0.40					
				X.XX	±0.25	CHECK	DATE	SIZE	A4	TITLE: 1.27mm BTB Female Header W=3.05, -LC STYLE, SMT
				X.XXX	±0.15	APPROVE	DATE	SHEET	7/8	Customer NO.
				Angle	± 3'			PROJ.		
				DIM	TOL					
AO	2021/10/20	NEW	Ken							

WCON
Http: www.wcon.com

WCON-Dongguan Tel: +86 769 85358920 Fax: +86 769 85358915 E-mail: sales@wcon.com	WCON-Kunshan Tel: +86 512 57468408 Fax: +86 512 57468468 E-mail: salesks@wcon.com
-------------------------------------------------------------------------------------------	--------------------------------------------------------------------------------------------



				OPERATION	DRAW	DATE	SCALE	FIT	PART NO.	 Http: www.wcon.com
				x.x ±0.40	Ken	2021/10/20	UNIT	mm	3601-SXXX-CX1MXXX0X	
				x.xx ±0.25	CHECK	DATE	SIZE	A4	TITLE:	
				x.xxx ±0.15	APPROVE	DATE	SHEET	8/8	1.27mm BTB Female Header W=3.05, -LC STYLE, SMT	
AO	2021/10/20	NEW	Ken	Angle ± 3'			PROJ.	⌀	Customer NO.	WCON-Dongguan Tel: +86 769 85358920 Fax: +86 769 85358915 E-mail: sales@wcon.com
REV	DATE	MODIFICATION DESCRIPTION	CHANGE	DIM TOL						WCON-Kunshan Tel: +86 512 57468408 Fax: +86 512 57468468 E-mail: salesks@wcon.com