

HSF

NOTES:
 Current Rating:1.5AMP
 Contact Resistance:20mΩ max
 Withstand Voltage:500V AC/DC
 Insulation Resistance:1000MΩ min
 Operation Temperature:-40°C to +105°C

Contact Material:Brass
 Contact plating:Au or Sn Over Ni
 Insulator Material:LCP+30%GF(UL94V-0)

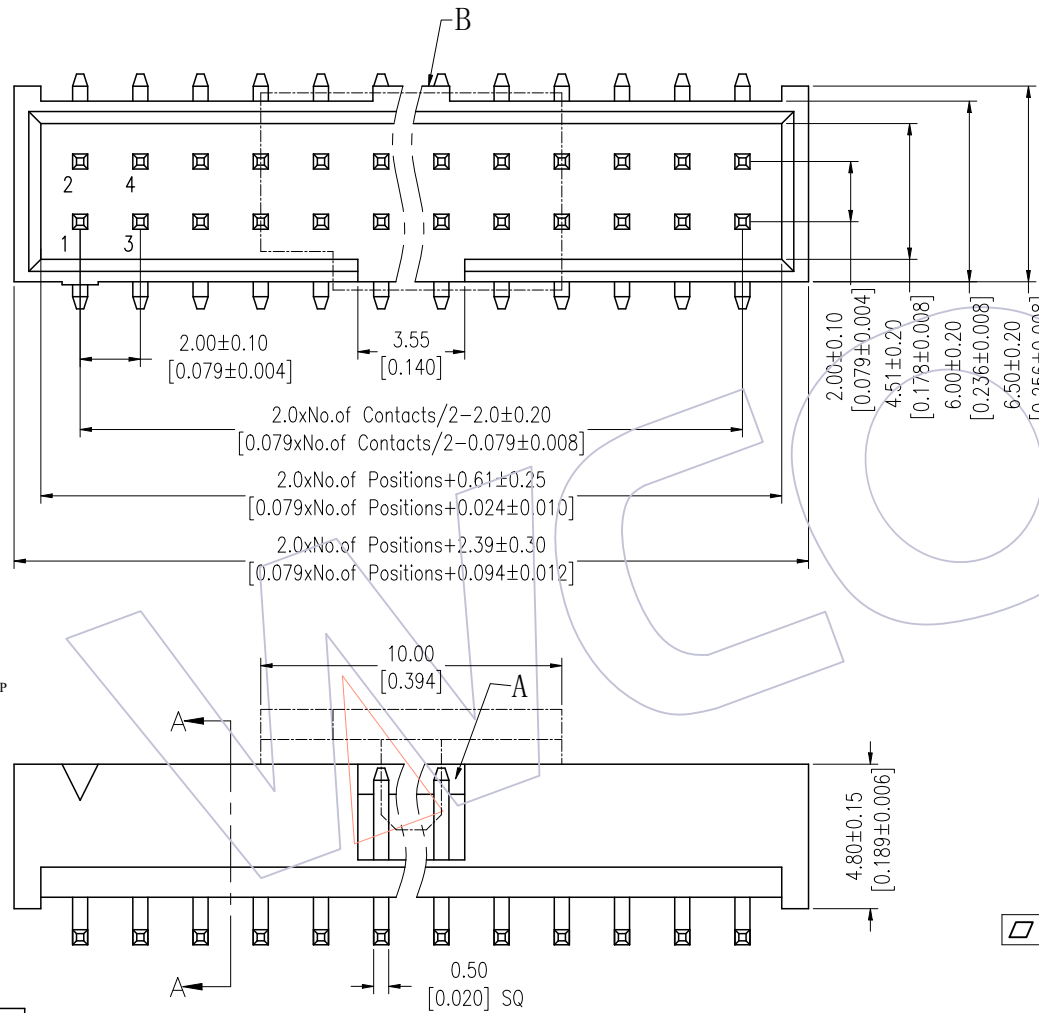
4P-6P Without "A" and "B"

Ordering Information

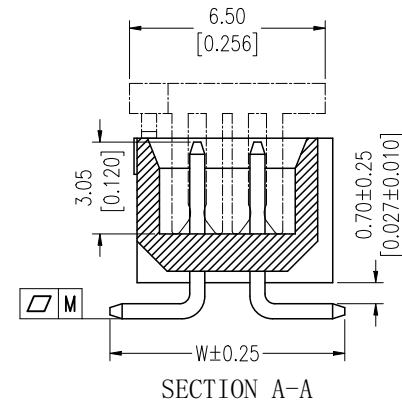
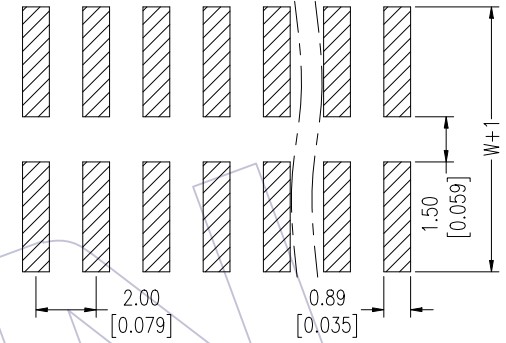
3124A-XX M XX B K00 X 1

No. of Pins	Contact Plating	Color Insulator	Packing
10 30	G0=Gold Flash	B=Black	T=Tube
14 34	G1=3u"Gold	U=Blue	P=Tube+CAP
16 40	G2=5u"Gold	W=White	R=Tape&Reel+CAP
20 44	G3=10u"Gold		
24 50	G4=15u"Gold		
26 60	G5=30u"Gold		
	S0=Gold Flash/Tin		
	S1=3u"Gold/Tin		
	S2=5u"Gold/Tin		
	S3=10u"Gold/Tin		
	S4=15u"Gold/Tin		
	S5=30u"Gold/Tin		
	SN=Tin		

PIN(PerRow)	10-20P	24-40P	44-60P
M	0.10	0.12	0.15



Recommended P. C. B Layout (Top Side)
 (PCB BOARD TOLERANCE ± 0.05)



ITEM	W
Standard	7.80
Alternate	

A4	2023/02/16	Add Flatness		DuYing	OPERATION	DRAW	DATE	SCALE	FIT	PART NO.
A3	2015/04/02	MODIFY		Allen	X.X ±0.40	DuYing	2023/02/16	UNIT	mm	3124A-XXMXXBK00X1
A2	2012/08/21	MODIFY 3124-XXMXXBS00X1 → 3124A-XXMXXBK00X1			X.XX ±0.25	CHECK	DATE	SIZE	A4	
A0	2008/05/06	NEW			X.XXX ±0.15	APPROVE	DATE	SHEET	1/1	TITLE:
REV	DATE	MODIFICATION DESCRIPTION	CHANGE	ANGLE	± 3'	DIM	TOL	PROJ.		2.00 BOX HEADER SMT H=4.8
										"S" TYPE (SHORT TYPE)
										Customer NO.

WCON

Http: www.wcon.com

WCON-Dongguan WCON-Kunshan
 Tel: +86 769 85358920 Tel: +86 512 57468408
 Fax: +86 769 85358915 Fax: +86 512 57468468
 E-mail: sales@wcon.com E-mail: salesks@wcon.com