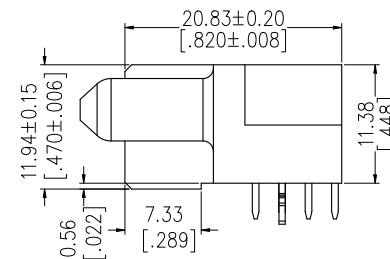
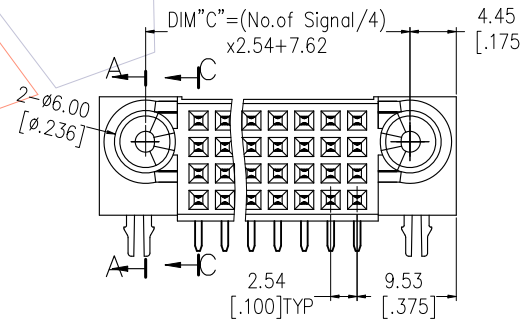
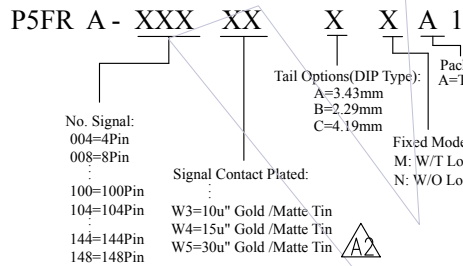
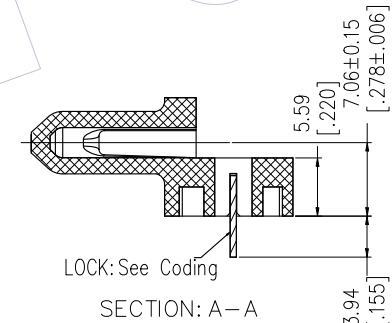
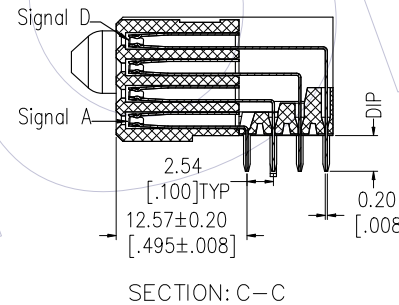
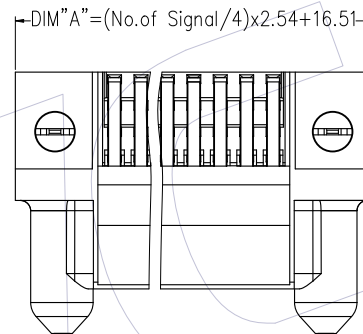
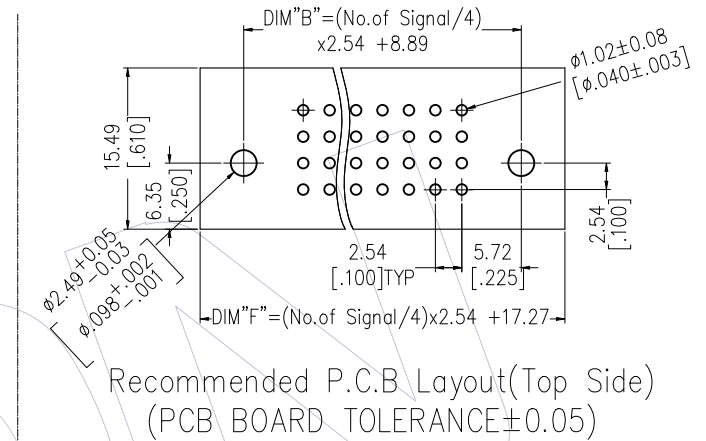
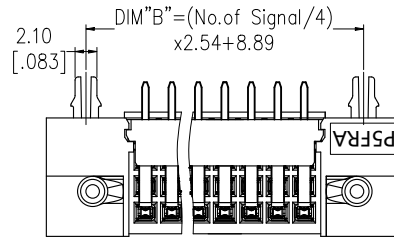


HSF

NOTES:

1. Insulator material: PA9T+33%G.F, UL94 V-0;
2. Terminal material: Copper Alloy;
Terminal Plating: Au/Sn Plated Over Nickel ;
3. Rated Voltage: Signal 50V; \triangle
4. Rated Current: Signal 2.5A, \triangle
5. Contact Resistance:
Signal 20m Ω Max; \triangle
6. Insulation Resistance: DC500V
Signal 500M Ω Min; \triangle
7. Insulation Withstand Voltage:
Signal 1000VAC/1min ; \triangle
8. Durability :200 cycling;
9. Operation Temperature: -20°C to +105°C;



REV	DATE	MODIFICATION DESCRIPTION	CHANGE	OPERATION	DRAW	DATE	SCALE	FIT	PART NO.
A2	2024/09/04	Cancel Xu"Gold/Tin Plated	XSR	x.x ±0.40	XSR	2024/09/04	UNIT	mm	P5FRA-XXXXXXXA1
A1	2022/03/28	Modify Notes	---	x.xx ±0.25	CHECK	DATE	inch	TITLE:	
A0	2018/10/15	NEW	---	x.xxx ±0.15	APPROVE	DATE	SIZE	A4	PSP Spacing A 90° DIP FEMALE (TYPE-5: 2.54 Signal)
				Angle ± 3°			SHEET	1/1	Customer NO.
				DIM TOL			PROJ.		

WCON

Http: www.wcon.com

WCON-Dongguan WCON-Kunshan
Tel: +86 769 85358920 Tel: +86 512 57468408
Fax: +86 769 85358915 Fax: +86 512 57468468
E-mail: sales@wcon.com E-mail: salesks@wcon.com