

# HSF

**NOTES:**

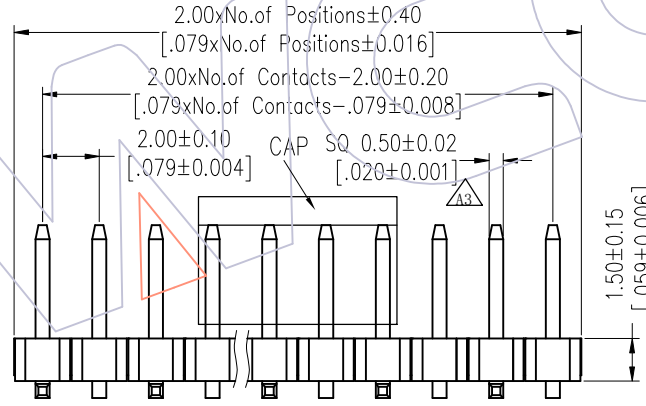
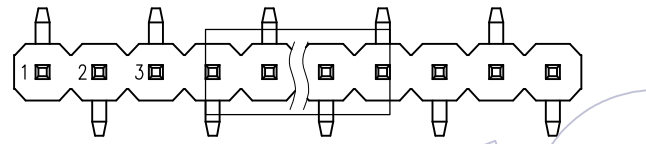
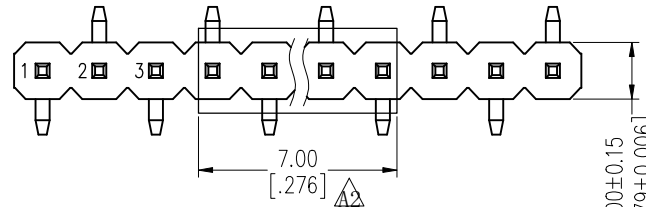
Rated Current: 3.0AMP.(20°C,1\*2P-1\*15P)  
 2.0AMP.(20°C,1\*16P-1\*40P)  $\triangle A3$   
 Contact Resistance: 20m $\Omega$  Max.  
 Withstand Voltage: 500V AC/DC  
 Insulation Resistance: 1000M $\Omega$  Min.  
 Operation Temperature: -40°C to +125°C(Gold Plating)  $\triangle A3$   
 -40°C to +105°C(Tin Plating)  $\triangle A2$   $\triangle A3$   
 Contact Material: Copper Alloy  
 Contact Plating: Au or Sn Over 30u" Min Ni  $\triangle A3$   
 Insulator Material: PA9T+G.F UL94V-0 BK  $\triangle A3$

## Ordering Information

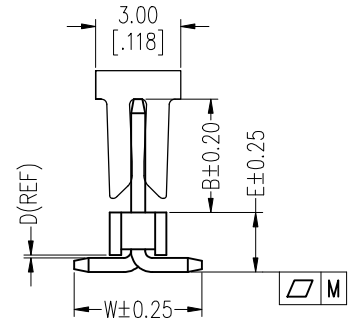
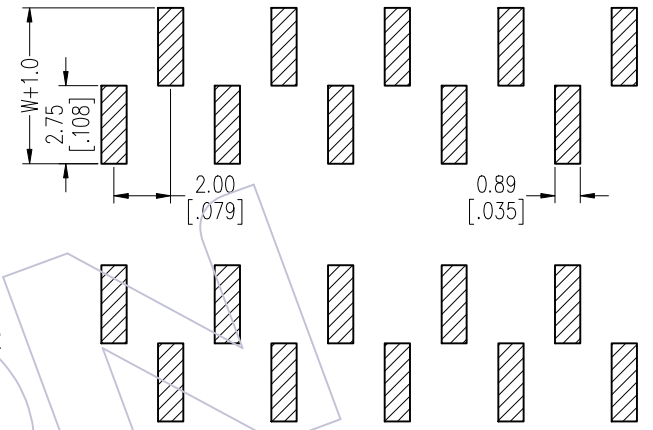
1215- 1 1 XX XX M XXX C 0 XX  $\triangle A1$

Plastic Layer  
 Plastic Row  
 No. of Pins  
 Per Row: 02-40  
 Contact Plating  
 G0=Gold Flash  
 G3=10u"Au, BG3=8u"PdNi+2u"Au  
 G4=15u"Au, BG4=13u"PdNi+2u"Au  
 G5=30u"Au, BG5=28u"PdNi+2u"Au  
 S0=Gold Flash/Tin  
 S3=10u"Au/Sn, P3=8u"PdNi+2u"Au/Sn  
 S4=15u"Au/Sn, P4=13u"PdNi+2u"Au/Sn  
 S5=30u"Au/Sn, P5=28u"PdNi+2u"Au/Sn  $\triangle A3$   
 SN=Bright Tin  
 SM=Matte Tin  
 Insulator Material  
 C=PA9T  
 Pin Length  
 L(See Table)  
 Type:  
 M:SMT

Item	Pin Length	W	D	E	B	Mating
Standard	6.3	4.5	0.1	2.1	2.5	2220T/2221/2228 $\triangle A3$
	6.8				3.0	2227T/2228T/2245
	7.3				3.5	2235/2240N/2243C
	7.8				4.0	2240/2243/2245T/2263/2272
Alternate						



Recommended P.C.B Layout (Top Side)  
 (PCB BOARD TOLERANCE±0.05)  
 (PCB Thickness: T=1.60m)



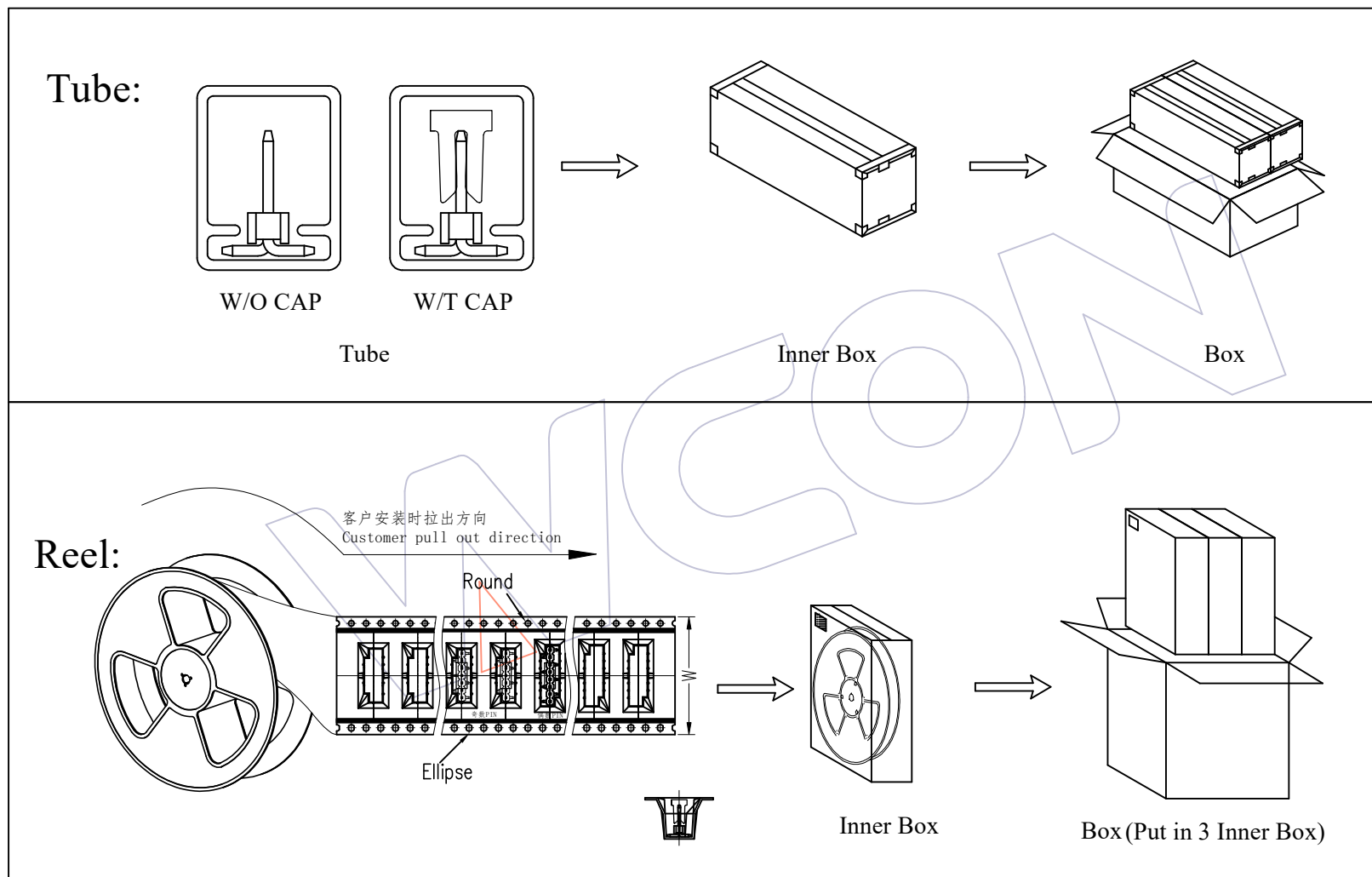
TITLE	PART NO.	SPEC. $\triangle A2$
PIN 2-15P	16-25P	26-40P
M 0.10	0.15	0.20
TYPE 1	TYPE 2	
	1215-11XXXXMXXXCX01	DUAL/ODD PINS
	1215-11XXXXMXXXCX02	DUAL PINS

REV	DATE	MODIFICATION DESCRIPTION	CHANGE	OPERATION	DRAW	DATE	SCALE	Fit	PART NO.
A3	2025/04/01	Standardization Drawing	CP	OPERATION	DRAW	2025/04/01	Fit	mm	1215-11XXXXMXXXCXXX
A2	2019/07/20	Modify the CAP	Ding	x.X ±0.40	CP	2025/04/01	mm		
A1	2018/01/18	Modify P/N	Liu	x.XX ±0.25	CHECK	2025/04/01	A4		
A0	2012/04/18	NEW	William Chen	x.XXX ±0.15	TANG	2025/04/01	1/4		
				Angle ± 3°	APPROVE	2025/04/01			
				DIM TOL	Steven Zhao	2025/04/01			

**WCON**  
 Http: www.wcon.com  
 WCON-Dongguan Tel: +86 769 85358920 Fax: +86 769 85358915 E-mail: sales@wcon.com  
 WCON-Kunshan Tel: +86 512 57468408 Fax: +86 512 57468468 E-mail: salesks@wcon.com

**HSF**

**Packing:**



A3	2025/04/01	Standardization Drawing	CP	OPERATION	DRAW	DATE	SCALE	Fit	PART NO.
A2	2019/07/20	Modify the CAP	Ding	x.X ±0.40	CP	2025/04/01	UNIT	mm	1215-11XXXXMXXXXXXX
A1	2018/01/18	Modify P/N	Liu	x.XX ±0.25	CHECK	DATE	SIZE	A4	TITLE:
A0	2012/04/18	NEW	William Chen	x.XXX ±0.15	TANG	2025/04/01	SHEET	2/4	PH2.00 SINGLE ROW SMT H=1.5
REV	DATE	MODIFICATION DESCRIPTION	CHANGE	Angle ± 3°	APPROVE	DATE	PROJ.		Customer NO.
				DIM TOL	Steven Zhao	2025/04/01			

**WCON**  
 Http: [www.wcon.com](http://www.wcon.com)  
 WCON-Dongguan Tel: +86 769 85358920  
 WCON-Kunshan Tel: +86 512 57468408  
 Fax: +86 769 85358915  
 Fax: +86 512 57468468  
 E-mail: [sales@wcon.com](mailto:sales@wcon.com)  
 E-mail: [salesks@wcon.com](mailto:salesks@wcon.com)

**HSF**

**Packaging Quantity Refers To The Following Table**

B=2.5/3.0/3.5

PINS	Q'ty/Tube	Q'ty/Inner Box	Q'ty/Box
4	72	23,040	46,080
5	55	17,600	35,200
6	48	15,360	30,720
7	40	12,800	25,600
8	35	11,200	22,400
9	31	9,920	19,840
10	28	8,960	17,920
11	25	8,000	16,000
12	23	7,360	14,720
13	21	6,720	13,440
14	20	6,400	12,800
15	19	6,080	12,160
16	17	5,440	10,880
17	16	5,120	10,240
18	15	4,800	9,600
19	15	4,800	9,600
20	14	4,480	8,960
21	13	4,160	8,320
22	13	4,160	8,320

PINS	Q'ty/Tube	Q'ty/Inner Box	Q'ty/Box
23	12	3,840	7,680
24	11	3,520	7,040
25	11	3,520	7,040
26	11	3,520	7,040
27	10	3,200	6,400
28	10	3,200	6,400
29	9	2,880	5,760
30	9	2,880	5,760
31	9	2,880	5,760
32	9	2,880	5,760
33	8	2,560	5,120
34	8	2,560	5,120
35	8	2,560	5,120
36	8	2,560	5,120
37	7	2,240	4,480
38	7	2,240	4,480
39	7	2,240	4,480
40	7	2,240	4,480

PINS	W	Q'ty/Reel	Q'ty/Inner Box	Q'ty/Box
2	16	800	3,200	9,600
3	16	800	3,200	9,600
4	24	800	2,400	7,200
5	24	800	2,400	7,200
6	24	800	2,400	7,200
7	24	800	2,400	7,200
8	32	800	1,600	4,800
9	32	800	1,600	4,800
10	44	800	1,600	4,800
11	44	800	1,600	4,800
12	44	800	1,600	4,800
13	44	800	1,600	4,800
14	44	800	1,600	4,800
15	44	800	1,600	4,800
16	56	800	800	2,400
17	56	800	800	2,400
18	56	800	800	2,400

A3	2025/04/01	Standardization Drawing	CP	OPERATION	DRAW	DATE	SCALE	Fit	PART NO.
A2	2019/07/20	Modify the CAP	Ding	x.X ±0.40	CP	2025/04/01	UNIT	mm	1215-11XXXXMXXXCXXX
A1	2018/01/18	Modify P/N	Liu	x.XX ±0.25	CHECK	DATE	SIZE	A4	TITLE:
A0	2012/04/18	NEW	William Chen	x.XXX ±0.15	TANG	2025/04/01	SHEET	3/4	PH2.00 SINGLE ROW SMT H=1.5
REV	DATE	MODIFICATION DESCRIPTION	CHANGE	Angle ± 3°	APPROVE	DATE	PROJ.	Customer NO.	
				DIM TOL	Steven Zhao	2025/04/01			

**WCON**  
 Http: www.wcon.com  
 WCON-Dongguan Tel: +86 769 85358920  
 WCON-Kunshan Tel: +86 512 57468408  
 Fax: +86 769 85358915 Fax: +86 512 57468468  
 E-mail: sales@wcon.com E-mail: salesks@wcon.com



## Packaging Quantity Refers To The Following Table

B=2.5/3.0/3.5

B=4.0

B=4.0

PINS	W	Q'ty/Reel	Q'ty/Inner Box	Q'ty/Box
19	56	800	800	2,400
20	56	800	800	2,400
21	56	800	800	2,400
22	72	800	800	2,400
23	72	800	800	2,400
24	72	800	800	2,400
25	72	800	800	2,400
26	72	800	800	2,400
27	72	800	800	2,400
28	72	800	800	2,400
29	72	800	800	2,400
30	88	800	800	2,400
31	88	800	800	2,400
32	88	800	800	2,400
33	88	800	800	2,400
34	88	800	800	2,400
35	88	800	800	2,400

PINS	W	Q'ty/Reel	Q'ty/Inner Box	Q'ty/Box
2	16	700	2,800	8,400
3	24	700	2,100	6,300
4	24	700	2,100	6,300
5	24	700	2,100	6,300
6	24	700	2,100	6,300
7	32	700	1,400	4,200
8	32	700	1,400	4,200
9	32	700	1,400	4,200
10	44	700	1,400	4,200
11	44	700	1,400	4,200
12	44	700	1,400	4,200
13	44	700	1,400	4,200
14	44	700	1,400	4,200
15	44	700	1,400	4,200
16	56	700	700	2,100
17	56	700	700	2,100
18	56	700	700	2,100

PINS	W	Q'ty/Reel	Q'ty/Inner Box	Q'ty/Box
19	56	700	700	2,100
20	56	700	700	2,100
21	56	700	700	2,100
22	72	700	700	2,100
23	72	700	700	2,100
24	72	700	700	2,100
25	72	700	700	2,100
26	72	700	700	2,100
27	72	700	700	2,100
28	72	700	700	2,100
29	72	700	700	2,100
30	88	700	700	2,100
31	88	700	700	2,100
32	88	700	700	2,100
33	88	700	700	2,100
34	88	700	700	2,100
35	88	700	700	2,100

A3	2025/04/01	Standardization Drawing	CP	OPERATION		DRAW	DATE	SCALE	Fit	PART NO. 1215-11XXXXMXXXCXXX		 <a href="http://www.wcon.com">Http: www.wcon.com</a> WCON-Dongguan Tel: +86 769 85358920 WCON-Kunshan Tel: +86 512 57468408 Fax: +86 769 85358915 Fax: +86 512 57468468 E-mail: sales@wcon.com E-mail: salesks@wcon.com
A2	2019/07/20	Modify the CAP	Ding	x.x	±0.40	CP	2025/04/01	UNIT	mm	TITLE: PH2.00 SINGLE ROW SMT H=1.5		
A1	2018/01/18	Modify P/N	Liu	x.xx	±0.25	CHECK	DATE	SIZE	A4	Customer NO.		
A0	2012/04/18	NEW	William Chen	x.xxx	±0.15	TANG	2025/04/01	SHEET	4/4			
REV	DATE	MODIFICATION DESCRIPTION	CHANGE	Angle	± 3'	APPROVE	DATE	PROJ.				
				DIM	TOL	Steven Zhao	2025/04/01					