

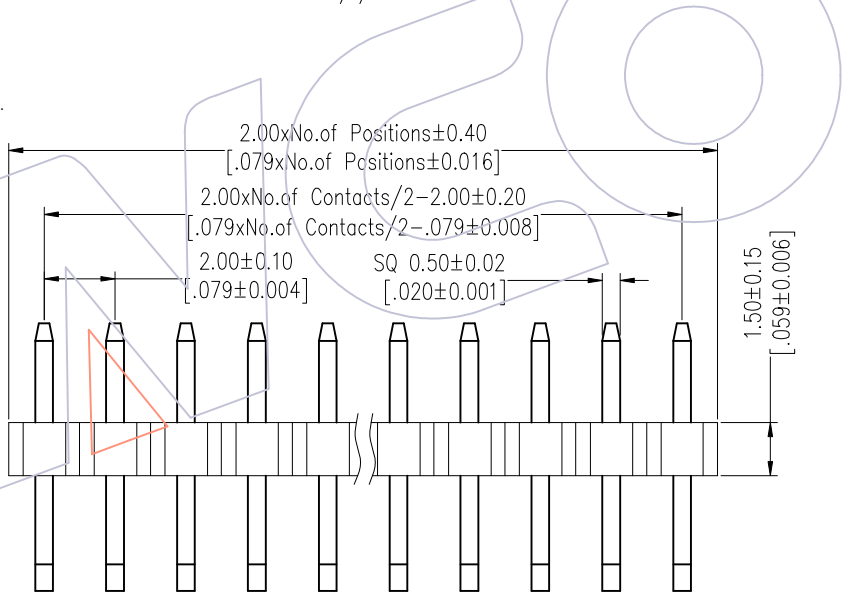
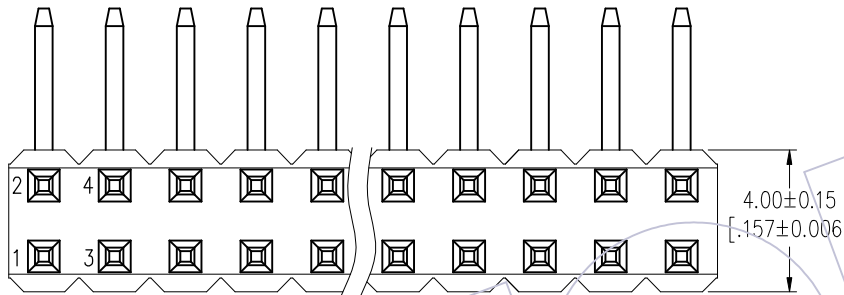
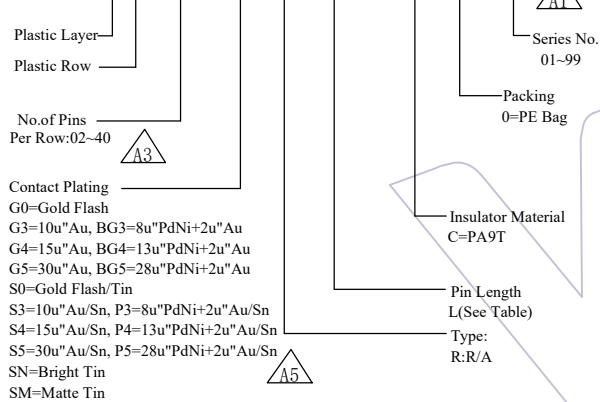
# HSF

**NOTES:**

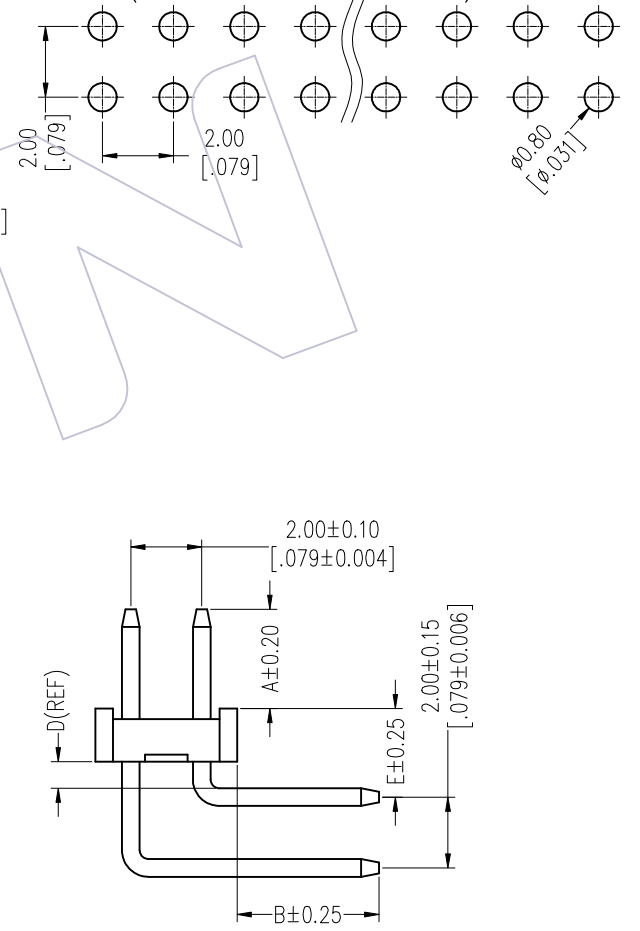
- Rated Current: 3.0AMP.(20°C,2\*2P-2\*15P)
- 2.0AMP.(20°C,2\*16P-2\*40P)  $\triangle A5$
- Contact Resistance: 20m $\Omega$  Max.
- Withstand Voltage: 500V AC/DC
- Insulation Resistance: 1000M $\Omega$  Min.
- Operation Temperature: -40°C to +125°C(Gold Plating)
- 40°C to +105°C(Tin Plating)  $\triangle A2$   $\triangle A5$
- Contact Material: Copper Alloy
- Contact Plating: Au or Sn Over 30u" Min Ni  $\triangle A5$
- Insulator Material: PA9T+G.F UL94V-0 BK

## Ordering Information

1215- 1 2 XX XX R XXX C 0 XX  $\triangle A1$



Recommended P.C.B Layout (Top Side)  
(PCB BOARD TOLERANCE±0.05)  
(PCB Thickness: T=1.60m)



Item	Pin Length Short/Long	A	D	E	B	Mating
Standard	8.5/12.5	2.8	0.75	2.5	2.5	2220T/2221/2228
	9.0/13.0				3.0	2227T/2228T/2245
	9.5/13.5				3.5	2235/2240N/2243C
	10.0/14.0				4.0	2240/2243/2245T/2263/2272
Standard	7.5/11.5	2.0 THR	0.75	2.5	2.5	2220T/2221/2228
	8.0/12.0				3.0	2227T/2228T/2245
	8.5/12.5				3.5	2235/2240N/2243C
	9.0/13.0				4.0	2240/2243/2245T/2263/2272
Alternate						

A5	2025/07/24	Standardization Drawing	CP	OPERATION	DRAW	DATE	SCALE	Fit	PART NO.
A4	2023/09/21	Modify Plastic Appearance	Du Ying	x.X ±0.40	CP	2025/07/24	UNIT	mm	1215-12XXXXRXXXCOXX $\triangle A1$
A3	2020/06/11	Modify Pin 02~40P	Du Ying	x.XX ±0.25	CHECK	DATE	SIZE	A4	TITLE:
A0	2012/04/18	NEW	William Chen	x.XXX ±0.15	TANG	2025/07/24	SHEET	1/2	PH2.00 DUAL ROW 90° H=1.5 PLANE BENDING
REV	DATE	MODIFICATION DESCRIPTION	CHANGE	Angle ± 3°	APPROVE	DATE	PROJ.		Customer NO.
				DIM TOL	Steven Zhao	2025/07/24			



WCON-Dongguan  
Tel: +86 769 85358920  
Fax: +86 769 85358915  
E-mail: sales@wcon.com

WCON-Kunshan  
Tel: +86 512 57468408  
Fax: +86 512 57468468  
E-mail: salesks@wcon.com

HSF

Packing:

Packaging Quantity Refers To The Following Table



PINS /Row	Q'ty/Bag (L≤11.0)	PINS /Row	Q'ty/Bag (L≤11.0)
1	1000	21	100
2	1000	22	100
3	1000	23	100
4	500	24	100
5	500	25	100
6	500	26	100
7	500	27	100
8	500	28	100
9	500	29	100
10	300	30	100
11	300	31	50
12	200	32	50
13	300	33	50
14	300	34	50
15	300	35	50
16	200	36	50
17	200	37	50
18	200	38	50
19	200	39	50
20	200	40	50

A5	2025/07/24	Standardization Drawing	CP	OPERATION	DRAW	DATE	SCALE	Fit	PART NO. 1215-12XXXXRXXXCOXX
A4	2023/09/21	Modify Plastic Appearance	Du Ying	x.X ±0.40	CP	2025/07/24	UNIT	mm	TITLE: PH2.00 DUAL ROW 90° H=1.5 PLANE BENDING
A3	2020/06/11	Modify Pin 02~40P	Du Ying	x.XX ±0.25	CHECK	DATE	SIZE	A4	
A0	2012/04/18	NEW	William Chen	x.XXX ±0.15	TANG	2025/07/24	SHEET	2/2	Customer NO.
REV	DATE	MODIFICATION DESCRIPTION	CHANGE	Angle ± 3°	APPROVE Steven Zhao	DATE	PROJ.	2025/07/24	
				DIM TOL					



Http: [www.wcon.com](http://www.wcon.com)

WCON-Dongguan Tel: +86 769 85358920 Fax: +86 769 85358915 E-mail: <a href="mailto:sales@wcon.com">sales@wcon.com</a>	WCON-Kunshan Tel: +86 512 57468408 Fax: +86 512 57468468 E-mail: <a href="mailto:salesks@wcon.com">salesks@wcon.com</a>
---	--

