

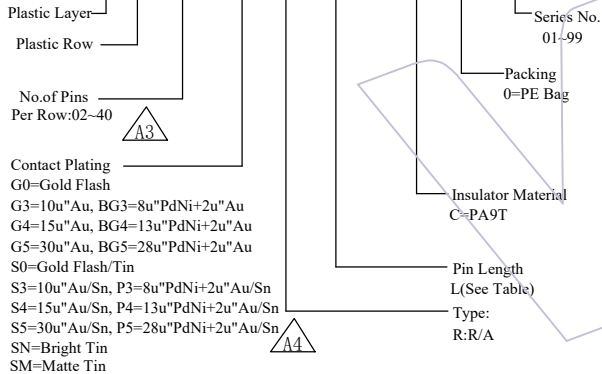
HSF

NOTES:

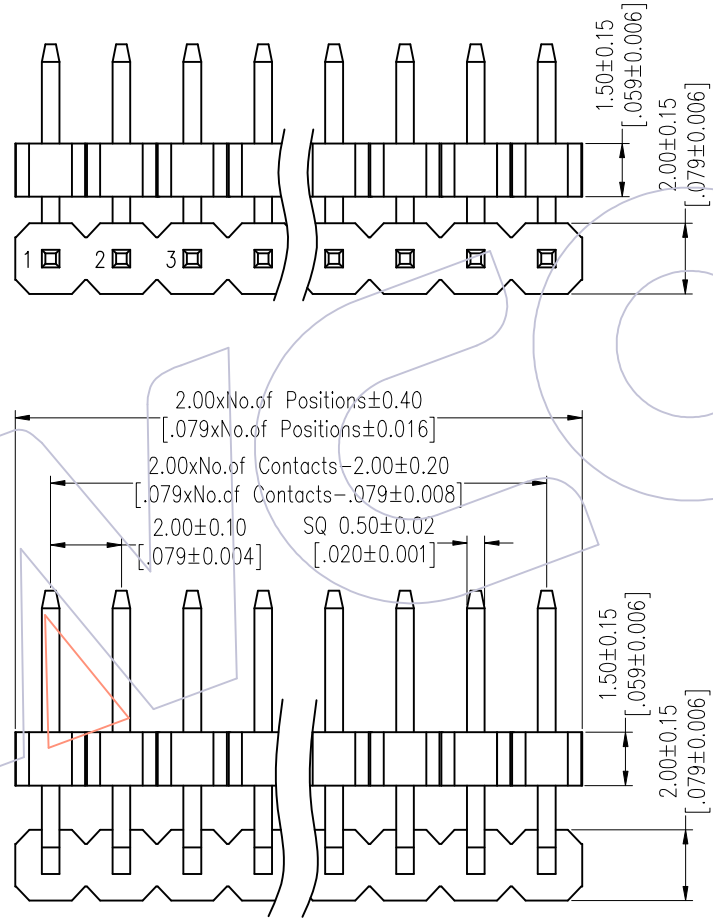
- Rated Current: 3.0AMP.(20°C,1*2P-1*15P)
2.0AMP.(20°C,1*16P-1*40P) $\triangle A4$
- Contact Resistance: 20m Ω Max.
- Withstand Voltage: 500V AC/DC
- Insulation Resistance: 1000M Ω Min.
- Operation Temperature: -40°C to +125°C(Gold Plating) $\triangle A2$ $\triangle A4$
-40°C to +105°C(Tin Plating)
- Contact Material: Copper Alloy
- Contact Plating: Au or Sn Over 30u" Min Ni $\triangle A4$
- Insulator Material: PA9T+G.F UL94V-0 BK $\triangle A4$

Ordering Information

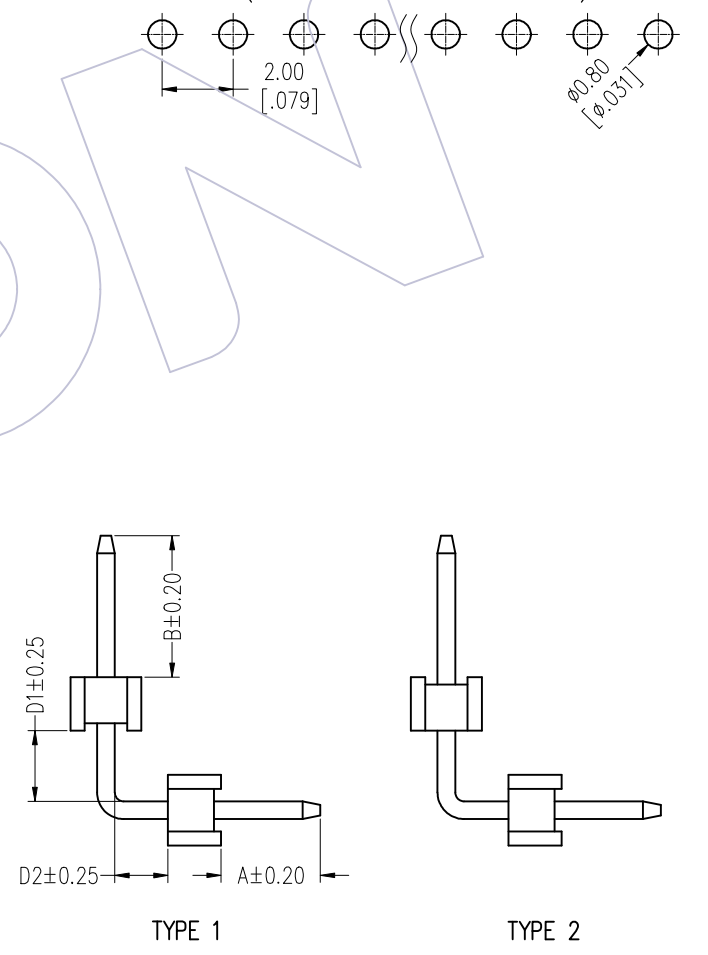
1215- 2 1 XX XX R XXX C 0 XX $\triangle A1$



Item	Pin Length	A	D1	D2	B	Mating
Standard	13.0	2.80	1.8	2.8	2.5	2220T/2221/2228
	13.5				3.0	2227T/2228T/2245
	14.0				3.5	2235/2240N/2243C
	14.5				4.0	2240/2243/2245T/2263/2272
Standard	12.0	2.0 (THR)	1.8	2.8	2.5	2220T/2221/2228
	12.5				3.0	2227T/2228T/2245
	13.0				3.5	2235/2240N/2243C
	13.5				4.0	2240/2243/2245T/2263/2272
Alternate						



Recommended P.C.B Layout (Top Side)
(PCB BOARD TOLERANCE ±0.05)
(PCB Thickness: T=1.60m)



A4	2025/07/29	Standardization Drawing	CP	OPERATION	DRAW	DATE	SCALE	Fit	PART NO.
A3	2020/06/11	Modify Pin 02~40P	DuYing	x.x ±0.40	CP	2025/07/29	UNIT	mm	1215-21XXXXRXXXCOXX $\triangle A1$
A2	2019/03/04	Modify	Ding	x.xx ±0.25	CHECK	DATE	SIZE	A4	TITLE:
A0	2012/04/18	NEW	William Chen	x.xxx ±0.15	TANG	2025/07/29	SHEET	1/2	PH2.00 SINGLE ROW DOUBLE PLASTIC 90° H=1.5 MIDDLE BENDING
REV	DATE	MODIFICATION DESCRIPTION	CHANGE	ANGLE DIM TOL	APPROVE Steven Zhao	DATE 2025/07/29	PROJ.		Customer NO.

WCON
Http: www.wcon.com

WCON-Dongguan Tel: +86 769 85358920 Fax: +86 769 85358915 E-mail: sales@wcon.com

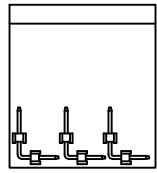
WCON-Kunshan Tel: +86 512 57468408 Fax: +86 512 57468468 E-mail: salesks@wcon.com

HSF

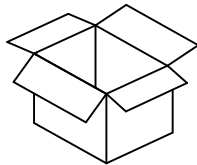
Packing:

Packaging Quantity Refers To The Following Table

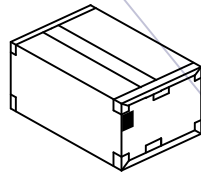
PE Bag:



PE Bag



Inner Box



Box

PINS	Q'ty/Bag (L ≤ 13.0)	PINS	Q'ty/Bag (L ≤ 13.0)	PINS	Q'ty/Bag (13.0 < L ≤ 18.0)	PINS	Q'ty/Bag (13.0 < L ≤ 18.0)
1	1000	21	500	1	1000	21	200
2	1000	22	500	2	1000	22	200
3	1000	23	500	3	1000	23	200
4	1000	24	500	4	500	24	200
5	1000	25	500	5	500	25	200
6	1000	26	500	6	500	26	200
7	1000	27	500	7	300	27	150
8	1000	28	500	8	300	28	150
9	1000	29	400	9	300	29	150
10	1000	30	400	10	300	30	150
11	1000	31	400	11	300	31	150
12	1000	32	400	12	200	32	100
13	500	33	400	13	200	33	100
14	500	34	300	14	200	34	100
15	500	35	300	15	200	35	100
16	500	36	200	16	200	36	100
17	500	37	200	17	200	37	100
18	500	38	200	18	200	38	100
19	500	39	200	19	200	39	100
20	500	40	200	20	200	40	100

A4	2025/07/29	Standardization Drawing	CP	OPERATION	DRAW	DATE	SCALE	Fit	PART NO.
A3	2020/06/11	Modify Pin 02~40P	DuYing	x.X ±0.40	CP	2025/07/29	UNIT	mm	1215-21XXXXRXXXCOXX
A2	2019/03/04	Modify	Ding	x.XX ±0.25	CHECK	DATE	SIZE	A4	TITLE:
A0	2012/04/18	NEW	William Chen	x.XXX ±0.15	TANG	2025/07/29	SHEET	2/2	PH2.00 SINGLE ROW DOUBLE PLASTIC 90° H=1.5 MIDDLE BENDING
REV	DATE	MODIFICATION DESCRIPTION	CHANGE	Angle ± 3°	APPROVE	DATE	PROJ.		Customer NO.
				DIM TOL	Steven Zhao	2025/07/29			



Http: www.wcon.com

WCON-Dongguan Tel: +86 769 85358920 Fax: +86 769 85358915 E-mail: sales@wcon.com	WCON-Kunshan Tel: +86 512 57468408 Fax: +86 512 57468468 E-mail: salesks@wcon.com
---	--