

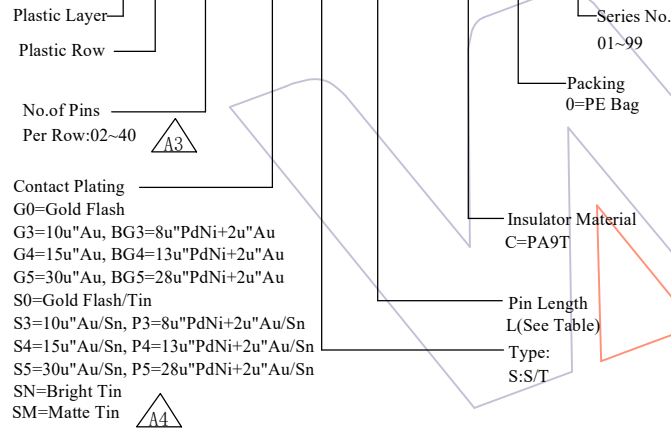
HSF

NOTES:

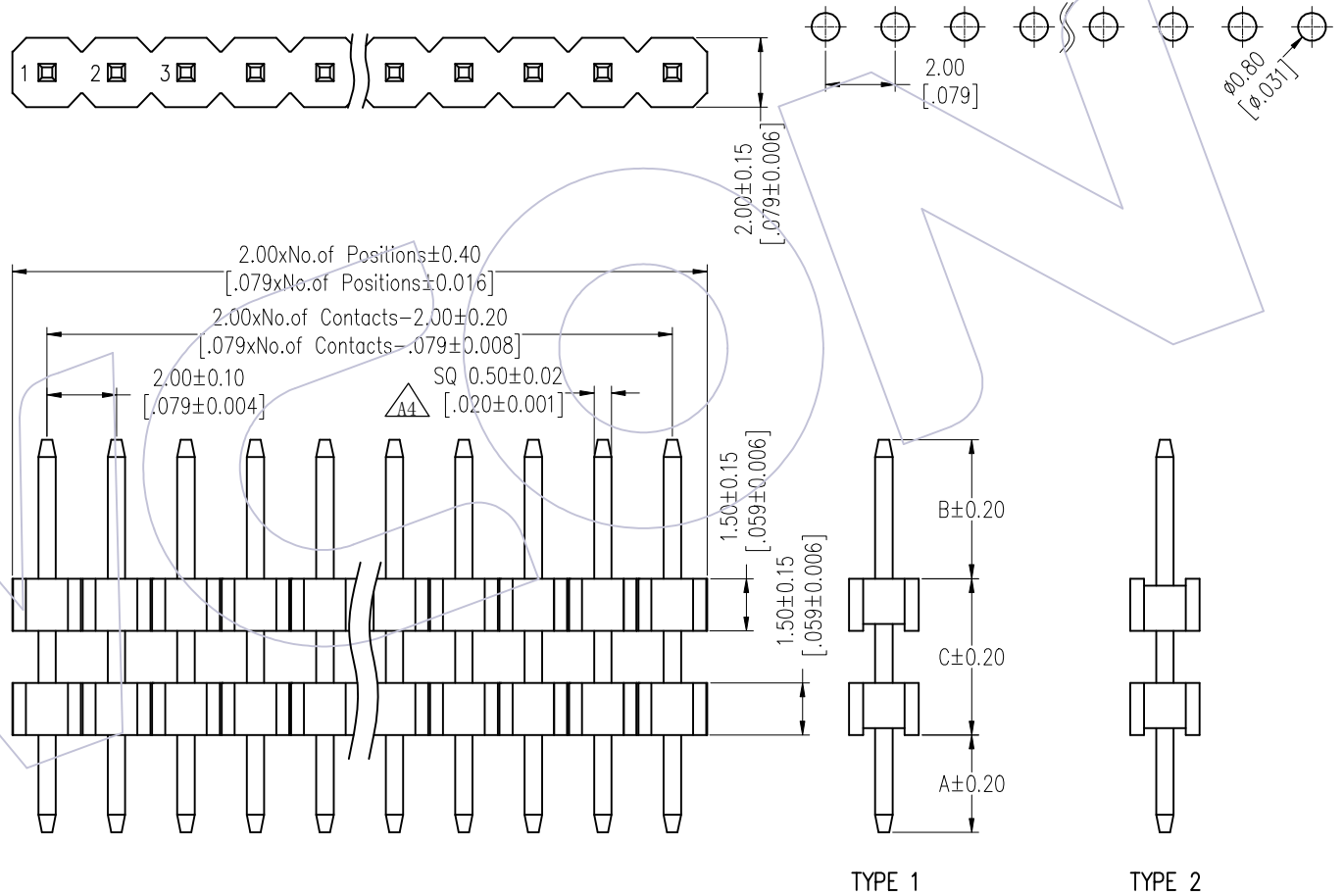
- Rated Current: 3.0AMP.(20°C,1*2P-1*15P)
2.0AMP.(20°C,1*16P-1*40P) $\triangle A4$
- Contact Resistance: 20m Ω Max.
- Withstand Voltage: 500V AC/DC
- Insulation Resistance: 1000M Ω Min.
- Operation Temperature: -40°C to +125°C(Gold Plating)
-40°C to +105°C(Tin Plating) $\triangle A2$ $\triangle A4$
- Contact Material: Copper Alloy
- Contact Plating: Au or Sn Over 30u" Min Ni $\triangle A4$
- Insulator Material: PA9T+G.F UL94V-0 BK $\triangle A4$

Ordering Information

1215- 2 1 XX XX S XXX C 0 XX $\triangle A1$



Recommended P.C.B Layout (Top Side)
(PCB BOARD TOLERANCE ± 0.05)
(PCB Thickness:T=1.60m)



A4	2025/07/25	Standardization Drawing	CP	OPERATION		DRAW	DATE	SCALE	Fit	PART NO. 1215-21XXXXXXC0XX $\triangle A1$
A3	2020/06/12	Modify Pin 02~40P	DuYing	x.x	± 0.40	CP	2025/07/25	UNIT	mm	
A2	2019/03/04	Modify	Ding	x.xx	± 0.25	CHECK	DATE	SIZE	A4	TITLE: PH2.00 SINGLE ROW DOUBLE PLASTIC 180° H=1.5
A0	2012/04/18	NEW	William Chen	x.xxx	± 0.15	TANG	2025/07/25	SHEET	1/3	
REV	DATE	MODIFICATION DESCRIPTION	CHANGE	Angle	$\pm 3^\circ$	APPROVE	DATE	PROJ.	ϕ	Customer NO.
				DIM	TOL	Steven Zhao	2025/07/25			

WCON

Http: www.wcon.com

WCON-Dongguan
Tel: +86 769 85358920
Fax: +86 769 85358915
E-mail: sales@wcon.com

WCON-Kunshan
Tel: +86 512 57468408
Fax: +86 512 57468468
E-mail: salesks@wcon.com

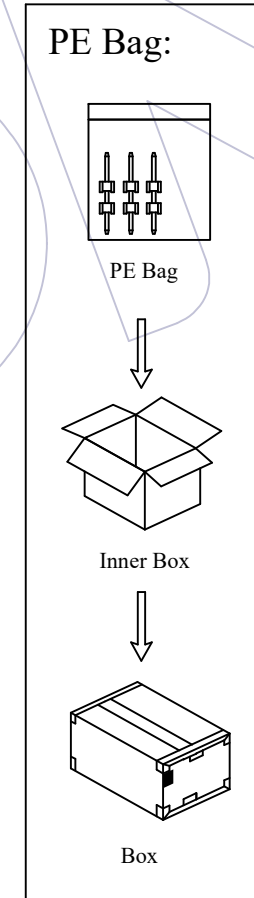
HSF

Table 1

Item	L	C	A	B	Mating
Standard	12.3	7.0	2.80	2.5	2220T/2221/2228
	12.8			3.0	2227T/2228T/2245
	13.3			3.5	2235/2240N/2243C
	13.8			4.0	2240/2243/2245T/2263/2272
	13.3	8.0		2.5	2220T/2221/2228
	13.8			3.0	2227T/2228T/2245
	14.2			3.5	2235/2240N/2243C
	14.8			4.0	2240/2243/2245T/2263/2272
	15.0	9.8		2.5	2220T/2221/2228
	15.5			3.0	2227T/2228T/2245
	16.0			3.5	2235/2240N/2243C
	16.5			4.0	2240/2243/2245T/2263/2272
	16.3	10.9		2.5	2220T/2221/2228
	16.8			3.0	2227T/2228T/2245
	17.2			3.5	2235/2240N/2243C
	17.8			4.0	2240/2243/2245T/2263/2272
	17.5	12.2		2.5	2220T/2221/2228
	18.0			3.0	2227T/2228T/2245
	18.5			3.5	2235/2240N/2243C
	19.0			4.0	2240/2243/2245T/2263/2272
21.3	15.9	2.5	2220T/2221/2228		
21.8		3.0	2227T/2228T/2245		
22.2		3.5	2235/2240N/2243C		
22.7		4.0	2240/2243/2245T/2263/2272		
Alternate					

Item	L	C	A	B	Mating
Standard	11.5	7.0	2.0 (THR)	2.5	2220T/2221/2228
	12.0			3.0	2227T/2228T/2245
	12.5			3.5	2235/2240N/2243C
	13.0			4.0	2240/2243/2245T/2263/2272
	12.5	8.0		2.5	2220T/2221/2228
	13.0			3.0	2227T/2228T/2245
	13.5			3.5	2235/2240N/2243C
	14.0			4.0	2240/2243/2245T/2263/2272
	14.2	9.8		2.5	2220T/2221/2228
	14.8			3.0	2227T/2228T/2245
	15.3			3.5	2235/2240N/2243C
	15.8			4.0	2240/2243/2245T/2263/2272
	15.3	10.9		2.5	2220T/2221/2228
	15.8			3.0	2227T/2228T/2245
	16.3			3.5	2235/2240N/2243C
	16.8			4.0	2240/2243/2245T/2263/2272
	16.8	12.2		2.5	2220T/2221/2228
	17.5			3.0	2227T/2228T/2245
	17.8			3.5	2235/2240N/2243C
	18.5			4.0	2240/2243/2245T/2263/2272
20.3	15.9	2.5	2220T/2221/2228		
20.8		3.0	2227T/2228T/2245		
21.3		3.5	2235/2240N/2243C		
21.8		4.0	2240/2243/2245T/2263/2272		
Alternate					

Packing:



A4	2025/07/25	Standardization Drawing	CP	OPERATION	DRAW	DATE	SCALE	Fit	PART NO.
A3	2020/06/12	Modify Pin 02~40P	DuYing	x.x ±0.40	CP	2025/07/25	UNIT	mm	1215-21XXXXXXCOXX
A2	2019/03/04	Modify	Ding	x.xx ±0.25	CHECK	DATE	SIZE	A4	TITLE:
A0	2012/04/18	NEW	William Chen	x.xxx ±0.15	TANG	2025/07/25	SHEET	2/3	PH2.00 SINGLE ROW DOUBLE PLASTIC 180° H=1.5
REV	DATE	MODIFICATION DESCRIPTION	CHANGE	Angle ± 3° DIM TOL	APPROVE Steven Zhao	DATE 2025/07/25	PROJ.		Customer NO.



Http: www.wcon.com

<p>WCON-Dongguan Tel: +86 769 85358920 Fax: +86 769 85358915 E-mail: sales@wcon.com</p>	<p>WCON-Kunshan Tel: +86 512 57468408 Fax: +86 512 57468468 E-mail: salesks@wcon.com</p>
---	--

HSF

Packaging Quantity Refers To The Following Table

PINS	Q'ty/Bag (10.0 < L ≤ 15.0)	PINS	Q'ty/Bag (10.0 < L ≤ 15.0)	PINS	Q'ty/Bag (15.0 < L ≤ 20.0)	PINS	Q'ty/Bag (15.0 < L ≤ 20.0)	PINS	Q'ty/Bag (L ≥ 21.0)	PINS	Q'ty/Bag (L ≥ 21.0)
1	1000	21	200	1	1000	21	100	1	1000	21	100
2	1000	22	200	2	1000	22	100	2	1000	22	100
3	1000	23	200	3	1000	23	100	3	1000	23	100
4	1000	24	200	4	1000	24	100	4	1000	24	100
5	1000	25	200	5	1000	25	50	5	1000	25	50
6	500	26	200	6	500	26	50	6	500	26	50
7	500	27	200	7	500	27	50	7	500	27	50
8	500	28	200	8	500	28	50	8	500	28	50
9	500	29	200	9	300	29	50	9	300	29	50
10	500	30	200	10	300	30	50	10	300	30	50
11	500	31	200	11	300	31	50	11	300	31	50
12	500	32	200	12	300	32	50	12	300	32	50
13	500	33	200	13	250	33	50	13	250	33	50
14	500	34	200	14	250	34	50	14	250	34	50
15	250	35	200	15	250	35	50	15	250	35	50
16	250	36	200	16	250	36	50	16	250	36	50
17	250	37	200	17	200	37	50	17	200	37	50
18	250	38	200	18	200	38	50	18	200	38	50
19	250	39	200	19	200	39	50	19	200	39	50
20	200	40	200	20	100	40	50	20	100	40	50

A4	2025/07/25	Standardization Drawing	CP	OPERATION	DRAW	DATE	SCALE	Fit	PART NO.
A3	2020/06/12	Modify Pin 02~40P	DuYing	x.x ±0.40	CP	2025/07/25	UNIT	mm	1215-21XXXXXXCOXX
A2	2019/03/04	Modify	Ding	x.xx ±0.25	CHECK	DATE	SIZE	A4	TITLE:
A0	2012/04/18	NEW	William Chen	x.xxx ±0.15	TANG	2025/07/25	SHEET	3/3	PH2.00 SINGLE ROW DOUBLE PLASTIC 180° H=1.5
REV	DATE	MODIFICATION DESCRIPTION	CHANGE	Angle ± 3°	APPROVE	DATE	PROJ.		Customer NO.
				DIM TOL	Steven Zhao	2025/07/25			

WCON

Http: www.wcon.com

WCON-Dongguan
Tel: +86 769 85358920
Fax: +86 769 85358915
E-mail: sales@wcon.com

WCON-Kunshan
Tel: +86 512 57468408
Fax: +86 512 57468468
E-mail: salesks@wcon.com