

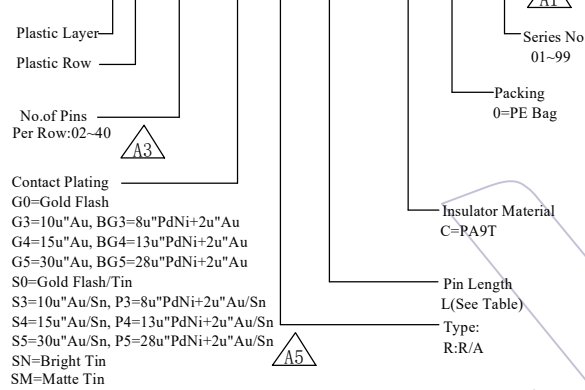
HSF

NOTES:

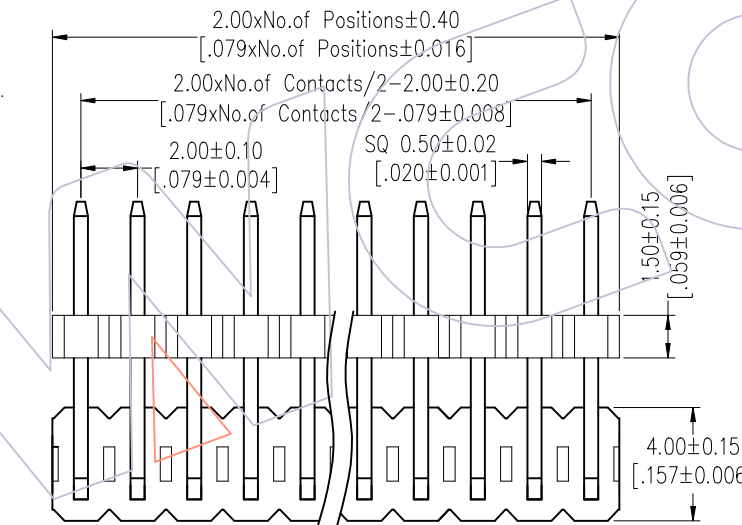
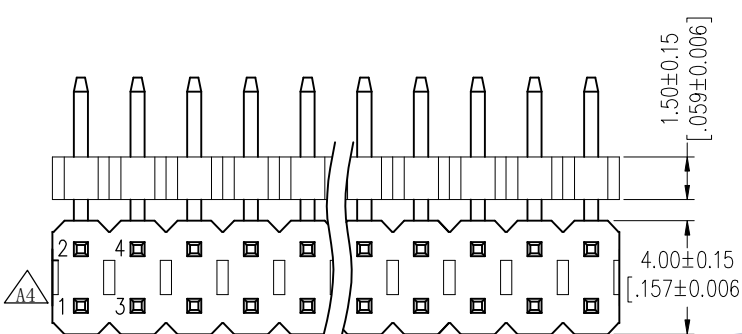
Rated Current: 3.0AMP.(20°C, 2*2P-2*15P)
 2.0AMP.(20°C, 2*16P-2*40P) A5
 Contact Resistance: 20mΩ Max.
 Withstand Voltage: 500V AC/DC
 Insulation Resistance: 1000MΩ Min.
 Operation Temperature: -40°C to +125°C (Gold Plating) A2 A5
 -40°C to +105°C (Tin Plating) A2 A5
 Contact Material: Copper Alloy
 Contact Plating: Au or Sn Over 30u" Min Ni A5
 Insulator Material: PA9T+G.F UL94V-0 BK A5

Ordering Information

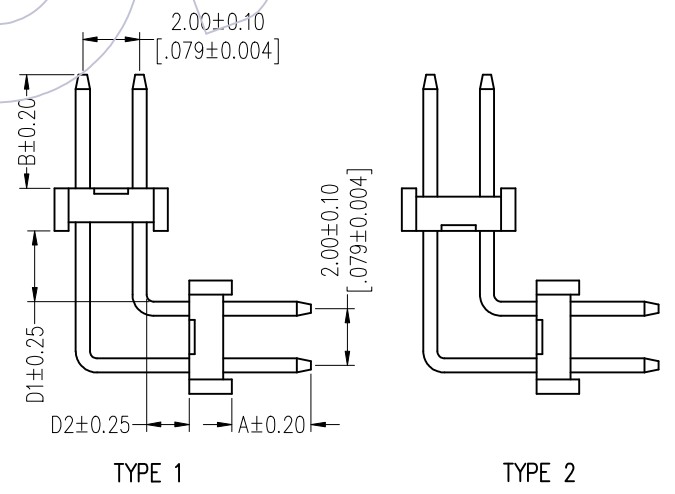
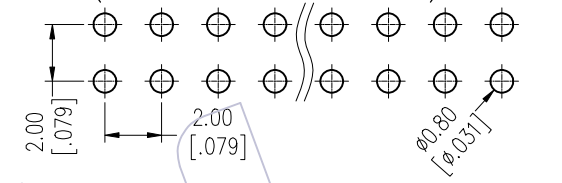
1215- 2 2 XX XX R XXX C 0 XX A1



Item	Pin Length Short/Long	A	D1	D2	B	Mating
Standard	13.0/17.0	2.80	1.8	2.8	2.5	2220T/2221/2228
	13.5/17.5				3.0	2227T/2228T/2245
	14.0/18.0				3.5	2235/2240N/2243C
	14.5/18.5				4.0	2240/2243/2245T/2263/2272
Standard	12.0/16.0	2.0 (THR)	1.8	2.8	2.5	2220T/2221/2228
	12.5/16.5				3.0	2227T/2228T/2245
	13.0/17.0				3.5	2235/2240N/2243C
	13.5/17.5				4.0	2240/2243/2245T/2263/2272
Alternate						



Recommended P.C.B Layout (Top Side)
 (PCB BOARD TOLERANCE±0.05)
 (PCB Thickness: T=1.60m)



A5	2025/07/29	Standardization Drawing	CP	OPERATION	DRAW	DATE	SCALE	Fit	PART NO.
A4	2023/09/21	Modify Plastic Appearance	DuYing	x.X ±0.40	CP	2025/07/29	UNIT	mm	1215-22XXXXRXXXCOXX A1
A3	2020/06/12	Modify Pin 02~40P	DuYing	x.XX ±0.25	CHECK	DATE	SIZE	A4	TITLE:
A0	2012/04/18	NEW	William Chen	x.XXX ±0.15	TANG	2025/07/29	SHEET	1/2	PH2.00 DUAL ROW DOUBLE PLASTIC 90° H=1.5 MIDDLE BENDING
REV	DATE	MODIFICATION DESCRIPTION	CHANGE	Angle ± 3°	APPROVE	DATE	PROJ.		Customer NO.
				DIM TOL	Steven Zhao	2025/07/29			

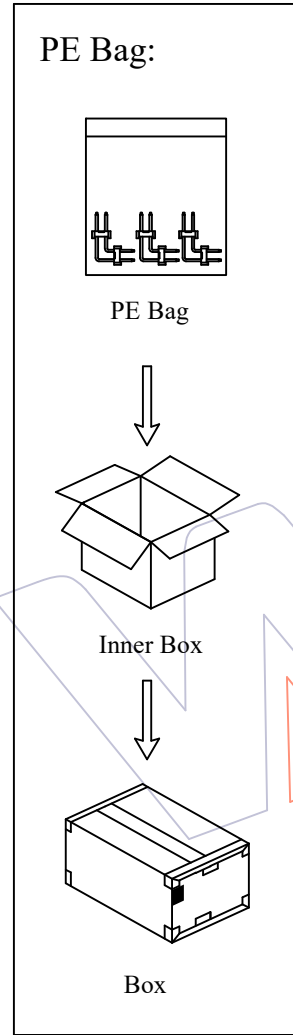
Http: www.wcon.com

WCON-Dongguan	WCON-Kunshan
Tel: +86 769 85358920	Tel: +86 512 57468408
Fax: +86 769 85358915	Fax: +86 512 57468468
E-mail: sales@wcon.com	E-mail: salesks@wcon.com

HSF

Packing:

Packaging Quantity Refers To The Following Table



PINS /Row	Q'ty/Bag (11.0 < L ≤ 16.0)	PINS /Row	Q'ty/Bag (11.0 < L ≤ 16.0)
1	1000	21	100
2	1000	22	100
3	1000	23	100
4	1000	24	100
5	500	25	100
6	500	26	50
7	300	27	50
8	300	28	50
9	300	29	50
10	300	30	50
11	300	31	50
12	200	32	50
13	200	33	50
14	200	34	50
15	200	35	50
16	100	36	50
17	100	37	50
18	100	38	50
19	100	39	50
20	100	40	50

A5	2025/07/29	Standardization Drawing	CP	OPERATION	DRAW	DATE	SCALE	Fit	PART NO.
A4	2023/09/21	Modify Plastic Appearance	DuYing	x.X ±0.40	CP	2025/07/29	UNIT	mm	1215-22XXXXRXXXCOXX
A3	2020/06/12	Modify Pin 02~40P	DuYing	x.XX ±0.25	CHECK	DATE	SIZE	A4	TITLE:
A0	2012/04/18	NEW	William Chen	x.XXX ±0.15	TANG	2025/07/29	SHEET	2/2	PH2.00 DUAL ROW DOUBLE PLASTIC 90° H=1.5 MIDDLE BENDING
REV	DATE	MODIFICATION DESCRIPTION	CHANGE	Angle ± 3°	APPROVE	DATE	PROJ.	Customer NO.	
				DIM TOL	Steven Zhao	2025/07/29			

WCON
 Http: www.wcon.com

WCON-Dongguan Tel: +86 769 85358920
 WCON-Kunshan Tel: +86 512 57468408
 Fax: +86 769 85358915
 Fax: +86 512 57468468
 E-mail: sales@wcon.com
 E-mail: salesks@wcon.com