

HSF

NOTES:

Rated Current:5.0AMP.(20°C,1*2P-1*15P)
 3.0AMP.(20°C,1*16P-1*40P) $\triangle A3$
 Contact Resistance:20m Ω Max.
 Withstand Voltage:1000V AC/DC
 Insulation Resistance:1000M Ω Min.
 Operation Temperature:-40°C to +125°C(Gold Plating)
 -40°C to +105°C(Tin Plating) $\triangle A3$
 Contact Material:Copper Alloy
 Contact Plating:Au or Sn Over 30u" Min Ni $\triangle A3$
 Insulator Material:PA9T+G.F UL94V-0 BK

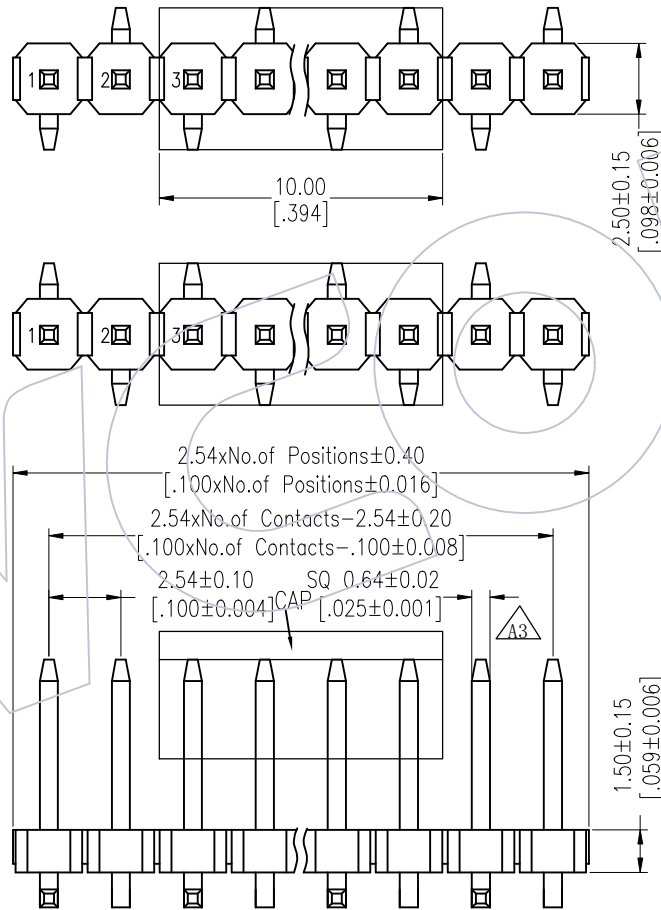
Ordering Information

1115-11XX XX M XXX C X XX $\triangle A1$

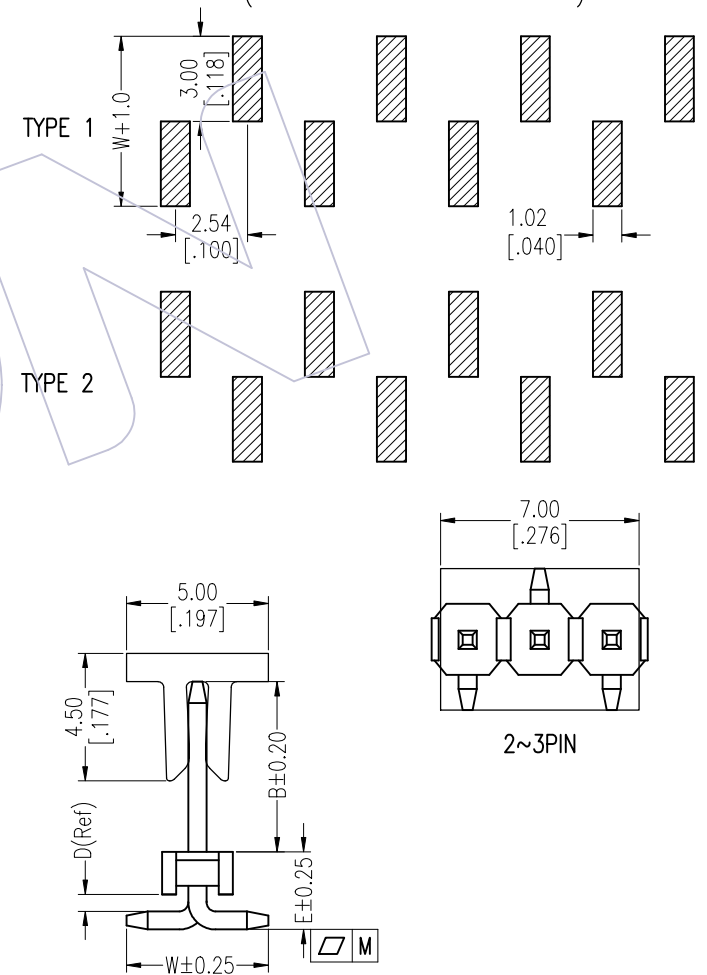
Plastic Layer
 Plastic Row
 No. of Pins
 Per Row:02-40
 Contact Plating
 G0=Gold Flash
 G3=10u"Au, BG3=8u"PdNi+2u"Au
 G4=15u"Au, BG4=13u"PdNi+2u"Au
 G5=30u"Au, BG5=28u"PdNi+2u"Au
 S0=Gold Flash/Tin $\triangle A3$
 S3=10u"Au/Sn, P3=8u"PdNi+2u"Au/Sn
 S4=15u"Au/Sn, P4=13u"PdNi+2u"Au/Sn
 S5=30u"Au/Sn, P5=28u"PdNi+2u"Au/Sn
 SN=Bright Tin
 SM=Matte Tin

Series No.
 01-99
 Packing
 T=Tube
 P=Tube+CAP
 R=Tape & Reel+CAP
 Insulator Material
 C=PA9T(Standard)
 Pin Length
 L(See Table)
 Type:
 M=SMT

Item	Pin Length	W	E	D	B	Mating
Standard	7.8	4.83	2.74	0.6	3.5	2135/2150T/2157 $\triangle A3$
	8.3				4.0	2145/2150
	9.3				5.0	2168T/2171T
	10.3				5.84	2171/2185X
Alternate						



Recommended P.C.B Layout (Top Side)
 (PCB BOARD TOLERANCE±0.05)
 (PCB Thickness:T=1.60m)



PIN(PerRow)	2-15P	16-25P	26-40P
M	0.10	0.15	0.20

REV	DATE	MODIFICATION DESCRIPTION	CHANGE	DIM	TOL	APPROVE	DATE	PROJ.	PART NO.	TITLE:	Customer NO.
A3	2025/02/25	Standardization Drawing	CP			DRAW	2025/02/25		1115-11XXXXMXXXCRXX		
A2	2023/02/02	Add Flatness	DuYing	x.X	±0.40	CP	2025/02/25				
A1	2018/01/22	Modify P/N	Ruipeng	x.XX	±0.25	CHECK	2025/02/25				
A0	2012/05/02	NEW	William Chen	x.XXX	±0.15	TANG	2025/02/25				
				Angle	± 3'	APPROVE	2025/02/25				
						Steven Zhao					

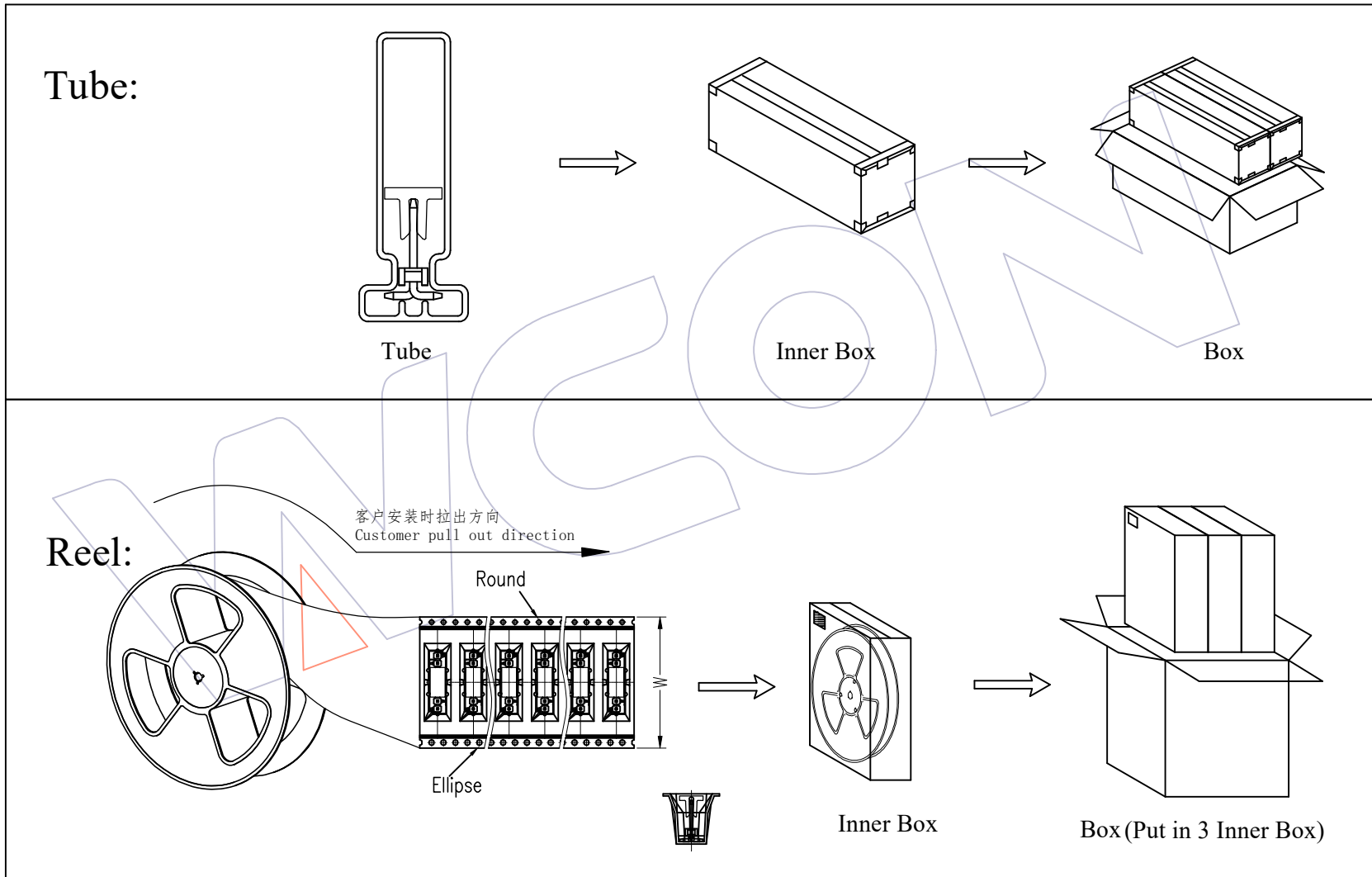
WCON
 Http: www.wcon.com

WCON-Dongguan
 Tel: +86 769 85358920
 Fax: +86 769 85358915
 E-mail: sales@wcon.com

WCON-Kunshan
 Tel: +86 512 57468408
 Fax: +86 512 57468468
 E-mail: sales@wcon.com

HSF

Packing:



A3	2025/02/25	Standardization Drawing	CP	OPERATION	DRAW	DATE	SCALE	Fit	PART NO.
A2	2023/02/02	Add Flatness	DuYing	x.X ±0.40	CP	2025/02/25	UNIT	mm	1115-11XXXXMXXXCRXX
A1	2018/01/22	Modify P/N	Ruipeng	x.XX ±0.25	CHECK	DATE	SIZE	A4	TITLE:
A0	2012/05/02	NEW	William Chen	x.XXX ±0.15	TANG	2025/02/25	SHEET	2/3	PH2.54 SINGLE ROW SMT H=1.5
REV	DATE	MODIFICATION DESCRIPTION	CHANGE	Angle ± 3'	APPROVE	DATE	PROJ.		Customer NO.
				DIM TOL	Steven Zhao	2025/02/25			

WCON

Http: www.wcon.com

WCON-Dongguan
Tel: +86 769 85358920
Fax: +86 769 85358915
E-mail: sales@wcon.com

WCON-Kunshan
Tel: +86 512 57468408
Fax: +86 512 57468468
E-mail: salesks@wcon.com

HSF

Packaging Quantity Refers To The Following Table

PINS	Q' ty/Tube	Q' ty/Inner Box	Q' ty/Box
4	54	4320	8640
5	44	3520	7040
6	38	3040	6080
7	31	2480	4960
8	27	2160	4320
9	24	1920	3840
10	22	1760	3520
11	20	1600	3200
12	18	1440	2880
13	17	1360	2720
14	16	1280	2560
15	15	1200	2400
16	14	1120	2240
17	13	1040	2080
18	12	960	1920
19	11	880	1760
20	11	880	1760
21	10	800	1600
22	10	800	1600

PINS	Q' ty/Tube	Q' ty/Inner Box	Q' ty/Box
23	9	720	1440
24	9	720	1440
25	9	720	1440
26	8	640	1280
27	8	640	1280
28	8	640	1280
29	7	560	1120
30	7	560	1120
31	7	560	1120
32	7	560	1120
33	6	480	960
34	6	480	960
35	6	480	960
36	6	480	960
37	6	480	960
38	5	400	800
39	5	400	800
40	5	400	800

B=3.5/4.0

PINS	W	Q' ty/Reel	Q' ty/Inner Box	Q' ty/Box
2	16	650	2,600	7,800
3	24	650	1,950	5,850
4	24	650	1,950	5,850
5	24	650	1,950	5,850
6	32	650	1,300	3,900
7	32	650	1,300	3,900
8	44	650	1,300	3,900
9	44	650	1,300	3,900
10	44	650	1,300	3,900
11	44	650	1,300	3,900
12	56	650	650	1,950
13	56	650	650	1,950
14	56	650	650	1,950
15	56	650	650	1,950
16	56	650	650	1,950
17	72	650	650	1,950
18	72	650	650	1,950
19	72	650	650	1,950
20	72	650	650	1,950
21	72	650	650	1,950
22	72	650	650	1,950
23	88	650	650	1,950
24	88	650	650	1,950
25	88	650	650	1,950
26	88	650	650	1,950
27	88	650	650	1,950

B=5.0

PINS	W	Q' ty/Reel	Q' ty/Inner Box	Q' ty/Box
2	24	550	1,650	4,950
3	24	550	1,650	4,950
4	24	550	1,650	4,950
5	32	550	1,100	3,300
6	32	550	1,100	3,300
7	44	550	1,100	3,300
8	44	550	1,100	3,300
9	44	550	1,100	3,300
10	44	550	1,100	3,300
11	44	550	1,100	3,300
12	56	550	550	1,650
13	56	550	550	1,650
14	56	550	550	1,650
15	56	550	550	1,650
16	72	550	550	1,650
17	72	550	550	1,650
18	72	550	550	1,650
19	72	550	550	1,650
20	72	550	550	1,650
21	72	550	550	1,650
22	72	550	550	1,650
23	88	550	550	1,650
24	88	550	550	1,650
25	88	550	550	1,650
26	88	550	550	1,650
27	88	550	550	1,650

B=5.84

PINS	W	Q' ty/Reel	Q' ty/Inner Box	Q' ty/Box
2	24	500	1,500	4,500
3	24	500	1,500	4,500
4	24	500	1,500	4,500
5	32	500	1,000	3,000
6	32	500	1,000	3,000
7	44	500	1,000	3,000
8	44	500	1,000	3,000
9	44	500	1,000	3,000
10	44	500	1,000	3,000
11	56	500	500	1,500
12	56	500	500	1,500
13	56	500	500	1,500
14	56	500	500	1,500
15	56	500	500	1,500
16	72	500	500	1,500
17	72	500	500	1,500
18	72	500	500	1,500
19	72	500	500	1,500
20	72	500	500	1,500
21	72	500	500	1,500
22	88	500	500	1,500
23	88	500	500	1,500
24	88	500	500	1,500
25	88	500	500	1,500
26	88	500	500	1,500
27	88	500	500	1,500

A3	2025/02/25	Standardization Drawing	CP	OPERATION	DRAW	DATE	SCALE	Fit	PART NO.
A2	2023/02/02	Add Flatness	DuYing	x.X ±0.40	CP	2025/02/25	UNIT	mm	1115-11XXXXMXXXCRXX
A1	2018/01/22	Modify P/N	Ruipeng	x.XX ±0.25	CHECK	DATE	SIZE	A4	TITLE:
A0	2012/05/02	NEW	William Chen	x.XXX ±0.15	TANG	2025/02/25	SHEET	3/3	PH2.54 SINGLE ROW SMT H=1.5
REV	DATE	MODIFICATION DESCRIPTION	CHANGE	Angle ± 3'	APPROVE	DATE	PROJ.	⊕	Customer NO.
				DIM TOL	Steven Zhao	2025/02/25			

WCON
[Http: www.wcon.com](http://www.wcon.com)

WCON-Dongguan Tel: +86 769 85358920
 WCON-Kunshan Tel: +86 512 57468408
 Fax: +86 769 85358915 Fax: +86 512 57468468
 E-mail: sales@wcon.com E-mail: salesks@wcon.com