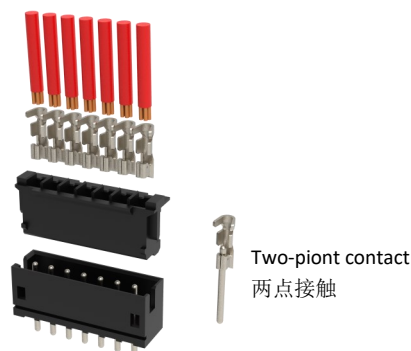
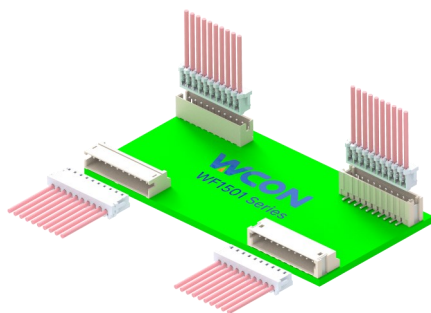


WF1501 Series WF1501系列

1.50mm pitch/Wire-to-board Connector 1.50mm间距/线到板连接器

Two-point contact
两点接触**Overview**

WF1501 is a 1.50mm pitch wire to board connector, the product has both high density, high performance, high integration and other advantages, can effectively ensure the stability of the signal transmission and integrity, the board end to provide horizontal and vertical direction of the board mounting, to meet the user's different angles of insertion of the adapter.

Features and Benefits

- Small size and high integration
- Mis-insertion-proof design to avoid mis-insertion effectively
- Various forms of board ends can meet the needs of customers for various occasions of plugging.
- Double-contact design of wire terminals, effectively ensure

Product Applications

- Industrial control and automation
- Computer and Interface Devices
- Telecommunication Modules

Standard 标准

- IEC 60512

概述

WF1501是一款1.50mm间距线到板连接器，产品兼具高密度、高性能，高集成等优点，能有效确保信号传输的稳定性以及完整性，板端提供水平及垂直方向贴板安装，满足用户不同角度对插适配。

产品特点

- 产品体积小，集成度高
- 防错插设计、有效避免错插
- 板端形态多样，可满足客户各种场合的对插需求
- 打线端子双触点设计，有效确保公母端子适配稳定

应用领域

- 工业控制与自动化
- 计算机及接口设备
- 电信通讯模块

UL certification UL认证

- E248993

Material 材料

Part/零件	Material/材料	Finish/电镀	UL Flame retardant/阻燃等级
Housing/主体	PA66	Black/黑色 Beige/米黄色 White/白色	UL94V-0
Header/板端	PA66/PA6T	Black/黑色 Beige/米黄色 White/白色	UL94V-0
Terminal/端子	phosphor bronze 磷铜 (C5191)	Au or Tin plated 镀金或镀锡	-

Production Specifications 产品规格

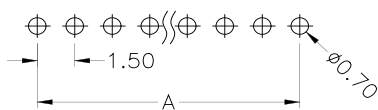
Current rating 额定电流	1.0 A	Operating Temperature Range:-25° C~+85° (including temperature rise) Operating Humidity Range:20-80% 工作温度范围: -25° C~+85° C(含温升) 工作湿度范围: ≤80%	Storage Teroerature: Operating Humidity: 储存温度: 25±5° C 储存湿度: ≤60%
Voltage rating 额定电压	100V		

Item 项目	Condition 条件	Specification 规格
Insulation Resistance 绝缘电阻	Measured at 500V DC for 1 minute 测试电压: 500V DC/1分钟	No less than 500M Ω 不少于500MΩ
Withstanding voltage 耐电压	Measured at 500V AC for 1 minute 测试电压: 500V AC/1分钟	No breakdown, no discharge, leakage current <0.5mA 无击穿、无放电、漏电流<0.5mA
Contact Resistance 接触电阻	Measured at 1mA and no higher than 20mV 用20 mV DC进行测量	Contact resistance: Initial value/ 20 mo max After environmental tests/ 30 mo max. 接触电阻: 初始值 20 mΩ 以下 测试后 30 mΩ 以下
Vibration Resistance 抗振动	Frequency : 50 ~ 2000 Hz PSD value : 5.35 Gms minimum Duration : 15 minutes/axis Times : Each of three mutually perpendicular planes. 频率: 50 ~ 2000 Hz 测试加速度: 100gn 时长: 15分钟/轴 次数: 3次	No electrical discontinuity of 1μsorgreater 试验过程中未发生1μs瞬断现象, 且外观无损伤, 电气性能正常
Humidity (Steady state) 湿度	Temperature : 25~65°C Humidity: 90 ~95% (R.H) Duration : 96 hours 温度: 25~65° C 湿度: 90 ~95% (R.H) 时间: 96小时	Contact resistance: Initial value/ 20 mo max After environmental tests/ 30 mo max. 接触电阻: 初始值 20 mΩ 以下 测试后 30 mΩ 以下
Salt Spray 盐雾	Temperature:35#2°C Humidity:95~98%(R.H) PHValue : 6.5 ~ 7.2 Duration : 12hours 温度: 35±2° C 湿度: 95~98%(R.H) PH值: 6.5~7.2 时间: 12小时	Contact resistance: Initial value/ 20 mo max After environmental tests/ 30 mo max. 接触电阻: 初始值 20 mΩ 以下 测试后 30 mΩ 以下
Durability(Mating/un-mating) 插拔寿命	300 cycles 循环300次	Contact resistance: Initial value/ 20 mo max After environmental tests/ 30 mo max. 接触电阻: 初始值 20 mΩ 以下 测试后 30 mΩ 以下

PCB Layout 印刷电路板布局

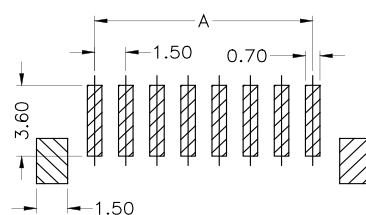
Through-hole type 通孔型

(S/T DIP、R/A DIP)

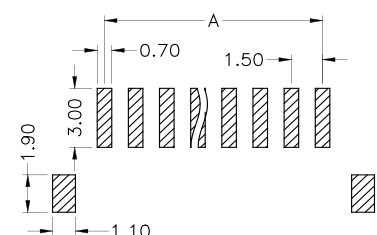


SMT type 表面贴装型

S/T SMT



R/A SMT



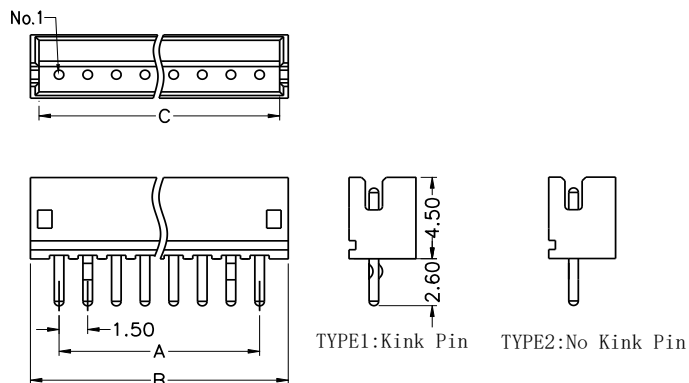
WF1501 Series

Ordering Information 订购信息

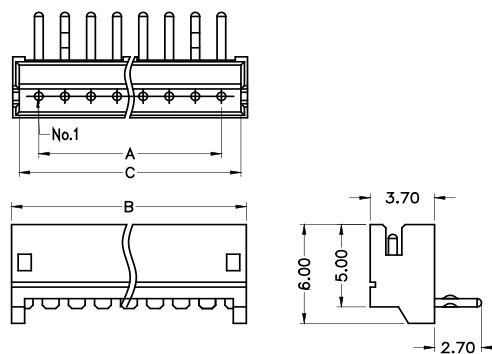
Circuit 芯数	Part number 型号			Dimensions 尺寸 (mm)			Package 包装 Q'ty/Box 只/外箱		Remake 可量产状态	
	S/T DIP (Kink Pin)	S/T DIP (No Kink Pin)	R/A DIP (Kink Pin)	A	B	C	S/T DIP	R/A DIP	S/T DIP	R/A DIP
2	WF1501-WS02X01	WF1501-WS02X02	WF1501-WR02X01	1.50	4.50	3.75	60,000	60,000	*	*
3	WF1501-WS03X01	WF1501-WS03X02	WF1501-WR03X01	3.00	6.00	5.25	42,000	42,000	*	*
4	WF1501-WS04X01	WF1501-WS04X02	WF1501-WR04X01	4.50	7.50	6.75	24,000	24,000	*	*
5	WF1501-WS05X01	WF1501-WS05X02	WF1501-WR05X01	6.00	9.00	8.25	24,000	24,000	*	*
6	WF1501-WS06X01	WF1501-WS06X02	WF1501-WR06X01	7.50	10.50	9.75	24,000	24,000	*	*
7	WF1501-WS07X01	WF1501-WS07X02	WF1501-WR07X01	9.00	12.00	11.25	24,000	24,000	*	*
8	WF1501-WS08X01	WF1501-WS08X02	WF1501-WR08X01	10.50	13.50	12.75	24,000	24,000	*	*
9	WF1501-WS09X01	WF1501-WS09X02	WF1501-WR09X01	12.00	15.00	14.25	24,000	24,000	*	*
10	WF1501-WS10X01	WF1501-WS10X02	WF1501-WR10X01	13.50	16.50	15.75	24,000	24,000	*	*
11	WF1501-WS11X01	WF1501-WS11X02	WF1501-WR11X01	15.00	18.00	17.25	24,000	24,000	*	*
12	WF1501-WS12X01	WF1501-WS12X02	WF1501-WR12X01	16.50	19.50	18.75	24,000	24,000	*	*
13	WF1501-WS13X01	WF1501-WS13X02	WF1501-WR13X01	18.00	21.00	20.25	24,000	24,000	*	*
14	WF1501-WS14X01	WF1501-WS14X02	WF1501-WR14X01	19.50	22.50	21.75	21,000	21,000	*	*
15	WF1501-WS15X01	WF1501-WS15X02	WF1501-WR15X01	21.00	24.00	23.25	21,200	21,200	*	*

Note: * stands for mass production. 注: *代表可量产

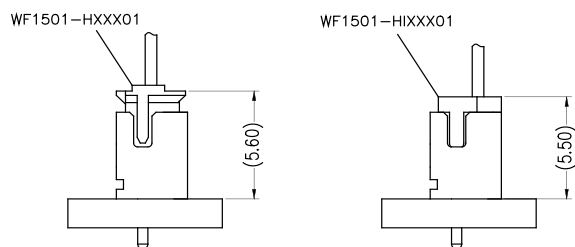
Dimensions 尺寸 (S/T DIP)



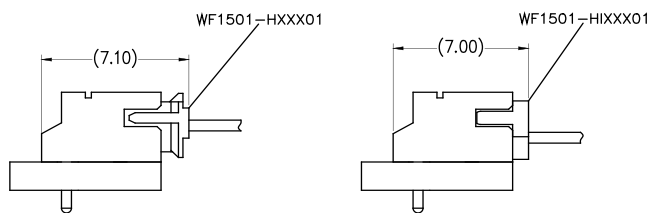
Dimensions 尺寸 (R/A DIP)



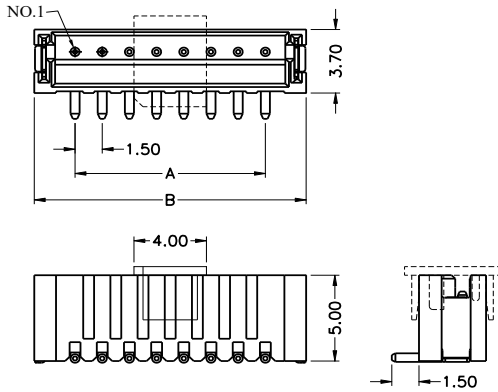
Assembly Schematic 装配示意



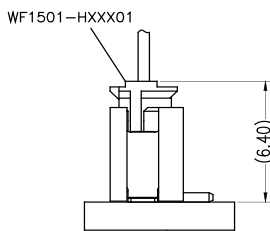
Assembly Schematic 装配示意



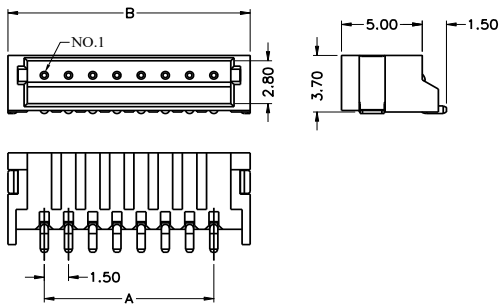
Dimensions 尺寸 (S/T SMT)



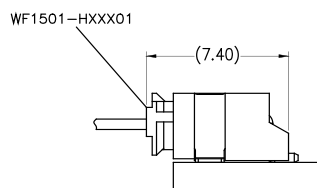
Assembly Schematic 装配示意



Dimensions 尺寸 (R/A SMT)



Assembly Schematic 装配示意



Ordering Information 订购信息

Circuit 芯数	Part number 型号	Dimensions 尺寸 (mm)		Package 包装	Remake 可量产状态
		A	B	Q'ty/Box 只/外箱	
2	WF1501-WM02XR1	1.50	6.00	10,800	*
3	WF1501-WM03XR1	3.00	7.50	8,100	*
4	WF1501-WM04XR1	4.50	9.00	8,100	*
5	WF1501-WM05XR1	6.00	10.50	8,100	*
6	WF1501-WM06XR1	7.50	12.00	8,100	*
7	WF1501-WM07XR1	9.00	13.50	8,100	*
8	WF1501-WM08XR1	10.50	15.00	8,100	*
9	WF1501-WM09XR1	12.00	16.50	5,400	*
10	WF1501-WM10XR1	13.50	18.00	5,400	*
11	WF1501-WM11XR1	15.00	19.50	5,400	*
12	WF1501-WM12XR1	16.50	21.00	5,400	*
13	WF1501-WM13XR1	18.00	22.50	5,400	*
14	WF1501-WM14XR1	19.50	24.00	5,400	*
15	WF1501-WM15XR1	21.00	25.50	5,400	*

Note: * stands for mass production . 注: *代表可量产

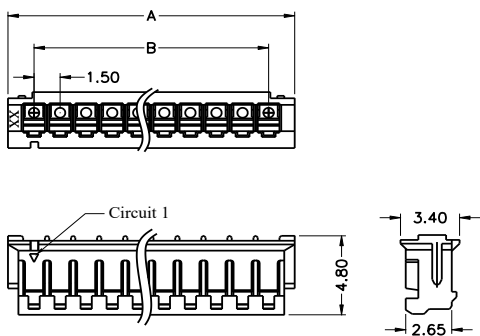
Ordering Information 订购信息

Circuit 芯数	Part number 型号	Dimensions 尺寸 (mm)		Package 包装	Remake 可量产状态
		A	B	Q'ty/Box 只/外箱	
2	WF1501-WZ02XR1	1.50	6.00	15,000	*
3	WF1501-WZ03XR1	3.00	7.50	11,250	*
4	WF1501-WZ04XR1	4.50	9.00	11,250	*
5	WF1501-WZ05XR1	6.00	10.50	11,250	*
6	WF1501-WZ06XR1	7.50	12.00	11,250	*
7	WF1501-WZ07XR1	9.00	13.50	11,250	*
8	WF1501-WZ08XR1	10.50	15.00	11,250	*
9	WF1501-WZ09XR1	12.00	16.50	7,500	*
10	WF1501-WZ10XR1	13.50	18.00	7,500	*
11	WF1501-WZ11XR1	15.00	19.50	7,500	*
12	WF1501-WZ12XR1	16.50	21.00	7,500	*
13	WF1501-WZ13XR1	18.00	22.50	7,500	*
14	WF1501-WZ14XR1	19.50	24.00	7,500	*
15	WF1501-WZ15XR1	21.00	25.50	7,500	*

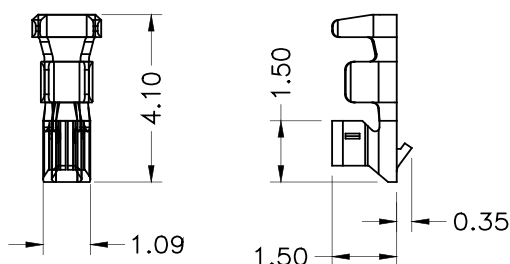
Note: * stands for mass production . 注: *代表可量产

WF1501 Series

Dimensions 尺寸



Adaptor Terminal 适配端子



型号 Model number	WF1501-TPXX01
	WF1501-TPXX02

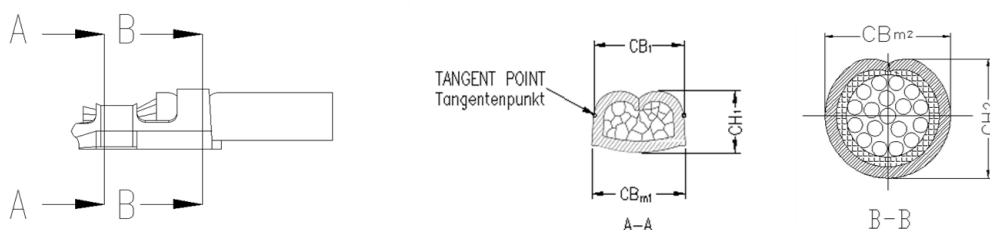
Ordering Information 订购信息

Circuit 芯数	Part number 型号	Dimensions 尺寸 (mm)		Package 包装 Q'ty/Box 只/外箱	Remake 可量产状态
		A	B		
2	WF1501-H02X01	1.50	4.50	90,000	*
3	WF1501-H03X01	3.00	6.00	90,000	*
4	WF1501-H04X01	4.50	7.50	90,000	*
5	WF1501-H05X01	6.00	9.00	90,000	*
6	WF1501-H06X01	7.50	10.50	60,000	*
7	WF1501-H07X01	9.00	12.00	60,000	*
8	WF1501-H08X01	10.50	13.50	60,000	*
9	WF1501-H09X01	12.00	15.00	40,000	*
10	WF1501-H10X01	13.50	16.50	40,000	*
11	WF1501-H11X01	15.00	18.00	40,000	*
12	WF1501-H12X01	16.50	19.50	40,000	*
13	WF1501-H13X01	18.00	21.00	20,000	*
14	WF1501-H14X01	19.50	22.50	20,000	*
15	WF1501-H15X01	21.00	24.00	20,000	*
16	WF1501-H16X01	22.50	25.50	20,000	*
17	WF1501-H17X01	24.00	27.00	20,000	*
18	WF1501-H18X01	25.50	28.50	20,000	*
19	WF1501-H19X01	27.00	30.00	20,000	*
20	WF1501-H20X01	28.50	31.50	20,000	*

Note: * stands for mass production . 注: *代表可量产

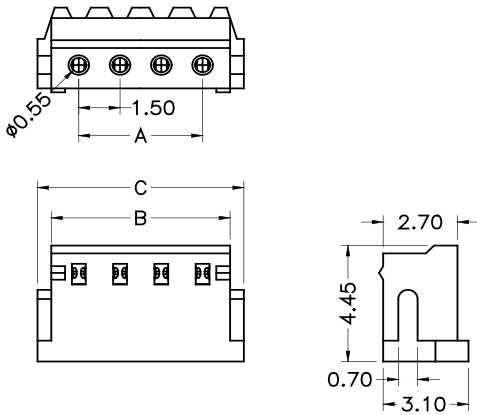
Terminal Crimp specification 端子压接规范

型号 Model number	电线类型 Wire type	电线规格 Wire size	线缆 OD (mm) Cable OD (mm)	剥线长度 (mm) Strip length (mm)	导体铆压 (A-A) Conductor crimp			绝缘体铆压 (B-B) Insulation crimp	
					压接宽度CB1 Crimping width CB1±0.03mm	压接宽度CBm1 Crimping height CBm1±0.05mm	压接高度 Crimping height CH1±0.03mm	压接宽度CBm2 Crimping width CBm2±0.05mm	压接高度CH2 Crimping height CH2±0.08mm
WF1501-TPXX01	UL 1061	26 AWG	0.90	1.70± 0.20mm	1	1.04	0.72	1.27	1.41
	UL 1007	28 AWG	1.20		1	1.05	0.74	1.30	1.40
WF1501-TPXX02	3302	30 AWG	0.70		1	1.04	0.65	1.12	0.90
	10368	32 AWG	0.70		1.04	1	0.65	1.12	0.90



Dimensions 尺寸

Ordering Information 订购信息



Circuit 芯数	Part number 型号	Dimensions 尺寸 (mm)			Parkage 包装 Q'ty/Box 只/外箱	Remake 可量产状态
		A	B	C		
2	WF1501-HI02X01	1.50	3.50	4.50	90,000	*
3	WF1501-HI03X01	3.00	5.00	6.00	90,000	*
4	WF1501-HI04X01	4.50	6.50	7.50	90,000	*
5	WF1501-HI05X01	6.00	8.00	9.00	90,000	
6	WF1501-HI06X01	7.50	9.50	10.50	80,000	
7	WF1501-HI07X01	9.00	11.00	12.00	80,000	
8	WF1501-HI08X01	10.50	12.50	13.50	80,000	*
9	WF1501-HI09X01	12.00	14.00	15.00	80,000	
10	WF1501-HI10X01	13.50	15.50	16.50	80,000	
11	WF1501-HI11X01	15.00	17.00	18.00	60,000	
12	WF1501-HI12X01	16.50	18.50	19.50	60,000	
13	WF1501-HI13X01	18.00	20.0	21.00	60,000	
14	WF1501-HI14X01	19.50	21.50	22.50	60,000	
15	WF1501-HI15X01	21.00	23.00	24.00	60,000	*
16	WF1501-HI16X01	22.50	24.50	25.50	40,000	
17	WF1501-HI17X01	24.00	26.00	27.00	40,000	
18	WF1501-HI18X01	25.50	27.50	28.50	40,000	
19	WF1501-HI19X01	27.00	29.00	30.00	40,000	
20	WF1501-HI20X01	28.50	30.50	31.50	40,000	

Note: * stands for mass production . 注: *代表可量产

WF1501 Series

Model number allocation 型号命名

WF1501	-	XX	XX	XX	X	X	X
(1)		(2)	(3)	(4)	(5)	(6)	(7)
(1) Series (系列): Wafer 1.50mm Series				(5) Color(颜色): B=Black、W=White、E=Beige			
(2) Terminal type(端子形态): WS=S/T DIP WR=R/A DIP WM=S/T SMT WZ=R/A SMT				(6) Packing(包装): 0=PE Bag、T=Tuble、R=Reel			
(3) Circuit(位数): 02=2.....15=15P				(7) Internal code(流水码): 1=Kink Pin 2=No Kink			
(4) Plating(电镀): G0=Gold Flash/Ni、G3=10u"Au/ G4=15u"Au、G5=30u"Au/、Blank=Tin							

WF1501	-	XX	XX	XX	X	1
(1)		(2)	(3)	(4)	(5)	(6)
(1) Series (系列): Wafer 1.50mm Series				(4) Color(颜色): B=Black、W=White、E=Beige		
(2) Product type(产品类型): H=Crimp Type Housing HI= IDC Type Housing				(5) Packing(包装): 0=PE Bag、T=Tuble		
(3) Circuit(位数): 02=2.....20=20P				(6) Internal code(流水码)		

Contact Us 联系我们

维峰电子股份有限公司(总部)
WCON ELECTRONICS CO.,LTD(HQ)
地址:广东省东莞市虎门镇大宁文明路15号
Add :No.15,Wenming Road,Daning Community, Humen Town,
Dongguan, Guangdong,523930, China

昆山维康电子有限公司
KUNSHAN WCON ELECTRONICIS CO.,LTD(East of China)
地址:昆山市千灯镇汶浦中路169号
Add : No.169, WenPu Middle Road, QianDeng Town, Kunshan
City, Jiangsu Province, China

合肥维峰电子有限公司
HEFEI WCON ELECTRONICIS CO.,LTD
地址:安徽合肥市高新技术开发区绿城科技园E栋2楼
Add : 2F, Building E, Greentown Science Park,High-tech Develop-
ment Zone, Hefei, Anhui,China

维康电子(泰国)有限公司
WCON ELECTRONICS (Thailand) CO.,LTD
地址:泰国巴真武里府西玛铺县华瓦区洛加纳工业园
Add: VG3C+H57, Hua Wa, Si Maha Phot District, Prachin Buri
25140, Thailand

销售联系方式 Sales Contacts

国际客户部 International Sales Department
salesdg01@wcon.com
salesdg05@wcon.com

大客户专线 Key Account Line
华南: salesdg28@wcon.com
华东: salesks@wcon.com

中小客户专线 Small and Medium-sized Account Line
华南: salesdg10@wcon.com
华东: salesks01@wcon.com

网络销售 Online sales
salesdg26@wcon.com



Official Website



Product e-catalog



WeChat Public#



TikTok Public#