

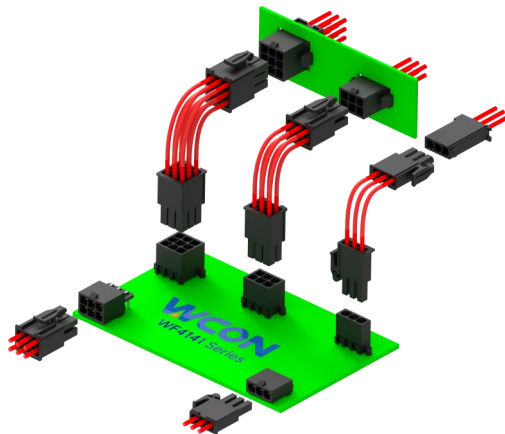
4.14mm pitch/wire-to-board/wire-to-wire Connector
4.14mm间距/线到板/线到线连接器

Overview

WF4141 is a 4.14mm pitch wire-to-board and wire-to-wire connector featuring versatile product configurations and flexible adaptability. Its wire terminals employ a dual-contact design, enhancing vibration resistance and ensuring stable signal and power transmission. Diverse connection options meet various application requirements.

概述

WF4141是一款4.14mm间距线到板、线到线连接器，产品形态多样，适配灵活，打线端子采用双触点设计，有利于抗振、信号电源传输稳定性，多样化连接方式满足应用需求。



Features and Benefits

- Latch Locking Mechanism
- Supports maximum wire gauge of 16 AWG
- Fool-Proof Design
- Two contact points

产品特点

- 附带锁扣结构，防止脱离
- 支持最大线径16AWG
- 防呆结构设计
- 双触点设计

Product Applications

- Industrial Automation and Control
- Outdoor LED Lighting
- Home Appliances

应用领域

- 工业自动化与控制
- 户外LED照明
- 家用电器

Standard 标准

- EIA-364

UL certification UL认证

- E248993

Material 材料

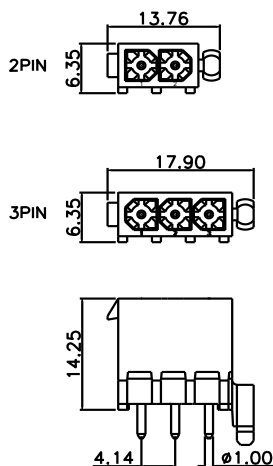
Part/零件	Material/材料	Finish/电镀	UL Flame retardant/阻燃等级
Male/公座	PA66	White/白色	UL94V-0
Male Housing/ 线端公座	PA66	White/白色	UL94V-0
Housing/线端	PA66	White/白色	UL94V-0
Terminal/端子	Copper Alloy	Tin-plated/镀锡	-

Production Specifications 产品规格

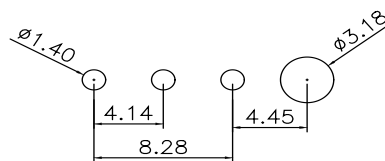
Current rating 额定电流	7A	Operating temperature Range:-40° C~+105° C (including temperature rise) Operating Humidity Range:20-80%	Storage temperature: Operating Humidity: 储存温度: 25±5° C 储存湿度: ≤60%
Voltage rating 额定电压	600V	工作温度范围: -40° C~+105° C(含温升) 工作湿度范围: 20-80%	
Item 项目	Condition 条件	Specification 规格	
Insulation Resistance 绝缘电阻	Measured at 500V DC for 1 minute 测试电压: 500V DC/1分钟	No less than 1000MΩ 不少于1000MΩ	
Withstanding voltage 耐电压	Test Voltage 1500V AC for 1 minute 测试电压: 1500V AC/1分钟	No breakdown, no discharge, leakage current <0.5mA 无击穿、无放电、漏电流<0.5mA	
Contact Resistance 接触电阻	Measured at 100mA and no higher than 20mV 用20 mV DC进行测量	Contact resistance: After environmental tests/ 20 mΩ max. 接触电阻: 测试后 20 mΩ 以下	
Vibration Resistance 抗振动	Frequency : 10-500 Hz Accelerated Velocity : 98mm/s ² Duration : 3 Hours/axis Vibration : X、Y、Z 频率: 10-500 Hz 加速度: 98mm/s ² 时长: 3小时/轴 振动方向: X、Y、Z	No electrical discontinuity of 1μs or greater 试验过程中未发生1 μs瞬断现象, 且外观无损伤, 电气性能正常	
Humidity (Steady state) 湿度	Temperature : 25~65° C Humidity: 90 ~95% (R.H) Duration : 96 hours 温度: 25~65° C 湿度: 90 ~95% (R.H) 时间: 96小时	Contact resistance: After environmental tests/ 20 mΩ max. 接触电阻: 测试后 20 mΩ 以下	
Salt Spray 盐雾	Temperature:35± 2°C Solution concentration : 5%NaCl PH Value : 6.5 ~ 7.2 Duration : 12 hours 温度: 35±2° C 溶液浓度: 5%NaCl PH值: 6.5~7.2 时间: 12 小时	Contact resistance: After environmental tests/ 20 mΩ max. 接触电阻: 测试后 20 mΩ 以下	
Durability(Mating/un- mating) 插拔寿命	25 cycles 循环25 次	Contact resistance: After environmental tests/ 20 mΩ max. 接触电阻: 测试后 20 mΩ 以下	

WF4141 Series

Dimensions 尺寸 (S/T DIP)



PCB Layout 印刷电路板布局

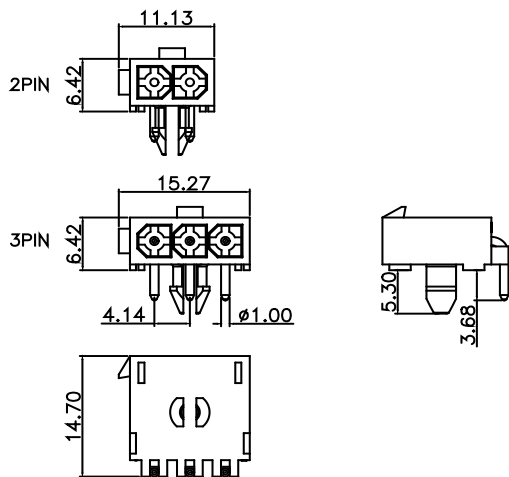


Ordering Information 订购信息

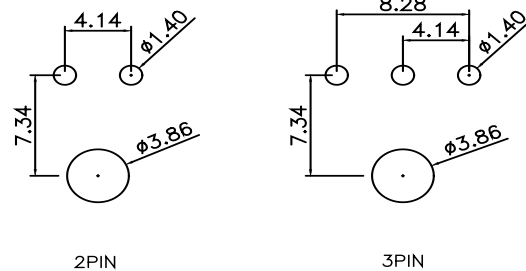
Circuit 芯数	Part number 型号	Plating 电镀	Package 包装Q'ty/ PE Bag 只/袋装	Remark 可量产状态
2	WF4141-1WS02W02	Tin	1000	*
3	WF4141-1WS03W02		1000	*

Note: * stands for mass production . 注: *代表可量产

Dimensions 尺寸 (R/A DIP)



PCB Layout 印刷电路板布局



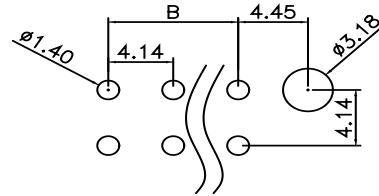
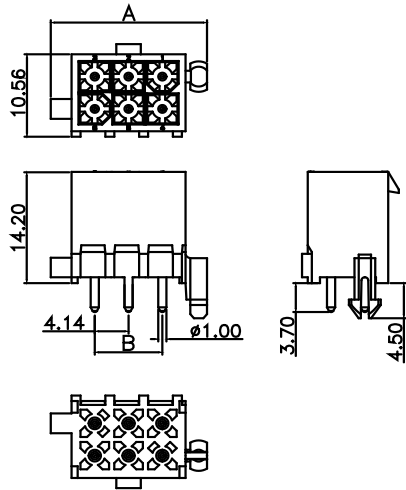
Ordering Information 订购信息

Circuit 芯数	Part number 型号	Plating 电镀	Package 包装Q'ty/ PE Bag 只/袋装	Remark 可量产状态
2	WF4141-1WR02W02	Tin	1000	*
3	WF4141-1WR03W02		1000	*

Note: * stands for mass production . 注: *代表可量产

Dimensions 尺寸 (S/T DIP)

PCB Layout 印刷电路板布局



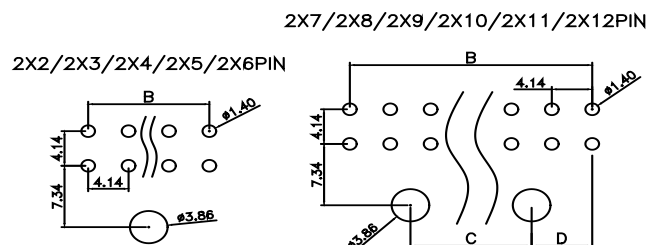
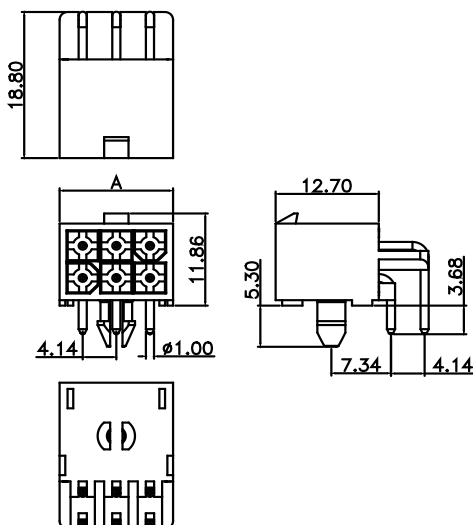
Ordering Information 订购信息

Circuit 芯数	Part number 型号	Plating 电镀	Dimensions 尺寸 (mm)		Package 包装Q'ty/ PE Bag 只/袋装	Remark 可量产状态
			A	B		
2×2	WF4141-2WS02W02	Tin	15.01	4.14	1000	*
2×3	WF4141-2WS03W02		19.15	8.28	1000	*
2×4	WF4141-2WS04W02		23.29	12.42	1000	*
2×5	WF4141-2WS05W02		27.43	16.56	1000	*
2×6	WF4141-2WS06W02		31.57	20.70	500	*
2×7	WF4141-2WS07W02		35.79	24.84	500	*
2×8	WF4141-2WS08W02		39.93	28.98	500	*
2×9	WF4141-2WS09W02		44.07	33.12	300	*
2×10	WF4141-2WS10W02		48.21	37.26	300	*
2×11	WF4141-2WS11W02		52.35	41.40	300	*
2×12	WF4141-2WS12W02		56.49	45.54	300	*

Note: * stands for mass production . 注: *代表可量产

Dimensions 尺寸 (R/A DIP)

PCB Layout 印刷电路板布局



PIN	DI.M.D
2X2	
2X3	
2X4	N/A
2X5	
2X6	
2X7	4.14
2X8	
2X9	
2X10	8.28
2X11	8.28
2X12	12.42

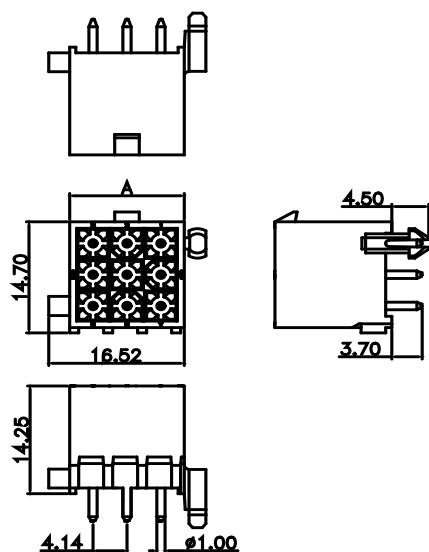
WF4141 Series

Ordering Information 订购信息

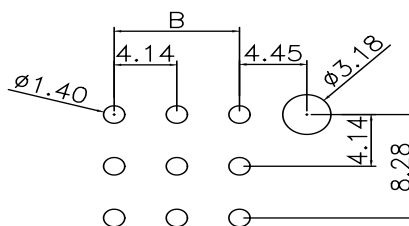
Circuit 芯数	Part number 型号	Plating 电镀	Dimensions 尺寸 (mm)		Package 包装Q'ty/ Tray 只/托盘	Remark 可量产状态
			A	B		
2×2	WF4141-2WR02WA2	Tin	9.83	/	306	*
2×3	WF4141-2WR03WA2		13.97	8.28	216	*
2×4	WF4141-2WR04WA2		18.11	12.42	162	*
2×5	WF4141-2WR05WA2		22.25	16.56	135	*
2×6	WF4141-2WR06WA2		26.39	20.70	108	*
2×7	WF4141-2WR07WA2		30.53	24.84	99	*
2×8	WF4141-2WR08WA2		34.67	28.98	81	*
2×9	WF4141-2WR09WA2		38.81	33.12	72	*
2×10	WF4141-2WR10WA2		42.95	37.26	63	*
2×11	WF4141-2WR11WA2		47.09	41.40	63	*
2×12	WF4141-2WR12WA2		51.23	45.54	54	*

Note: * stands for mass production . 注: *代表可量产

Dimensions 尺寸 (S/T DIP)



PCB Layout 印刷电路板布局

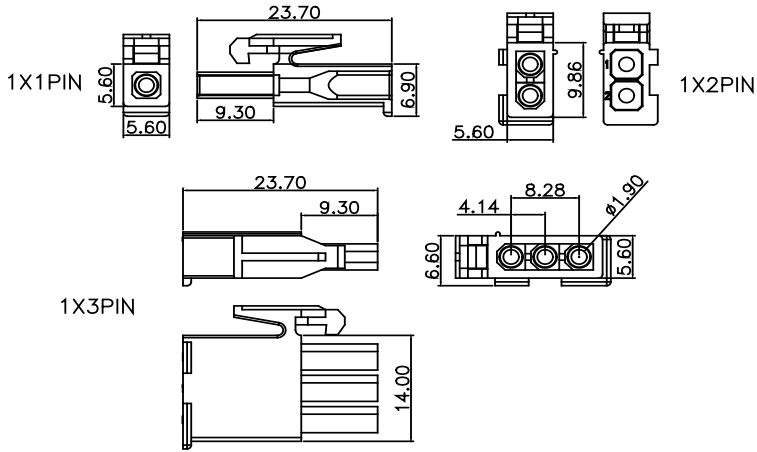


Ordering Information 订购信息

Circuit 芯数	Part number 型号	Plating 电镀	Dimensions 尺寸 (mm)		Package 包装Q'ty/ PE Bag 只/袋装	Remark 可量产状态
			A	B		
3×3	WF4141-3WS03W02	Tin	13.97	8.28	500	*
3×4	WF4141-3WS04W02		18.11	12.42	500	*
3×5	WF4141-3WS05W02		22.25	16.56	500	*

Note: * stands for mass production . 注: *代表可量产

Dimensions 尺寸 (Housing)

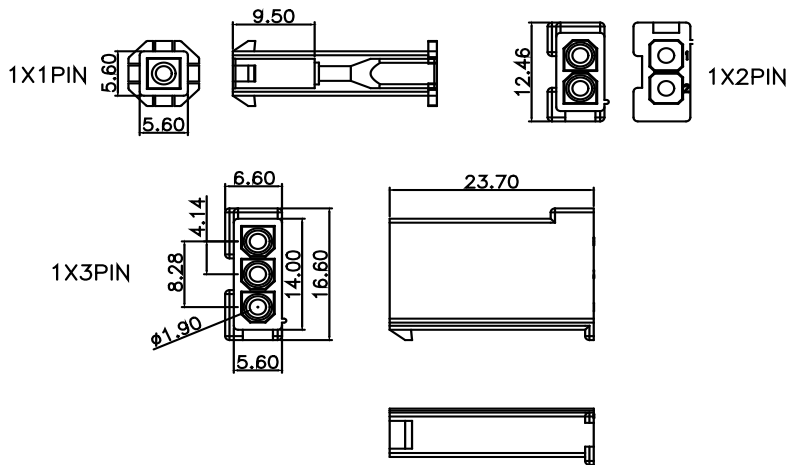


Ordering Information 订购信息

Circuit 芯数	Part number 型号	Package 包装Q'ty/ PE Bag 只/袋装	Remark 可量产状态
1	WF4141-1H01W01	500	*
2	WF4141-1H02W01	300	*
3	WF4141-1H03W01	200	*

Note: * stands for mass production . 注: *代表可量产

Dimensions 尺寸 (Male Housing)



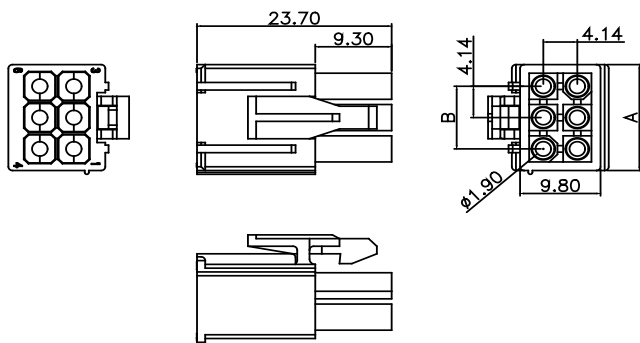
Ordering Information 订购信息

Circuit 芯数	Part number 型号	Package 包装Q'ty/ PE Bag 只/袋装	Remark 可量产状态
1	WF4141-1HK01W02	500	*
2	WF4141-1HK02W02	300	*
3	WF4141-1HK03W02	200	*

Note: * stands for mass production . 注: *代表可量产

WF4141 Series

Dimensions 尺寸 (Housing)

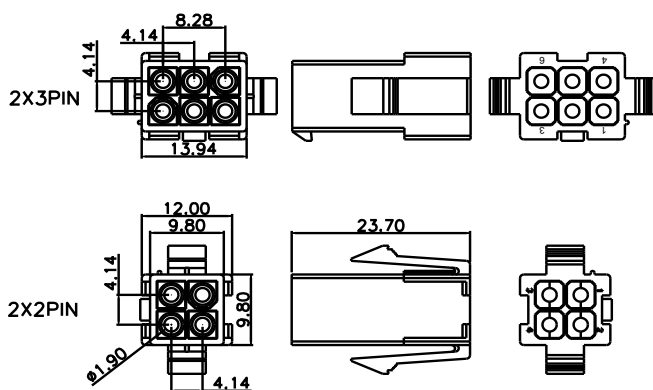


Ordering Information 订购信息

Circuit 芯数	Part number 型号	Dimensions 尺寸 (mm)		Package 包装Q'ty/ PE Bag 只/袋装	Remark 可量产状态
		A	B		
2×2	WF4141-2H02W01	9.86	4.14	1000	*
2×3	WF4141-2H03W01	14.00	8.28	1000	*
2×4	WF4141-2H04W01	18.14	12.42	500	*
2×5	WF4141-2H05W01	22.28	16.56	500	*
2×6	WF4141-2H06W01	26.42	20.70	500	*
2×7	WF4141-2H07W01	30.56	24.84	500	*
2×8	WF4141-2H08W01	34.70	28.98	300	*
2×9	WF4141-2H09W01	38.84	33.12	300	*
2×10	WF4141-2H10W01	42.98	37.26	300	*
2×11	WF4141-2H11W01	47.12	41.40	300	*
2×12	WF4141-2H12W01	51.26	45.54	300	*

Note: * stands for mass production . 注: *代表可量产

Dimensions 尺寸 (Male Housing)

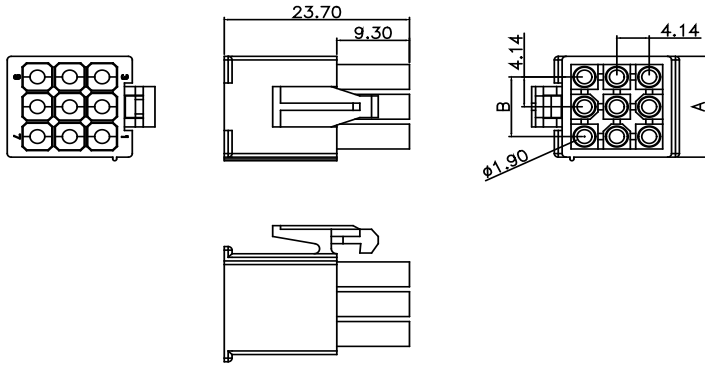


Ordering Information 订购信息

Circuit 芯数	Part number 型号	Package 包装Q'ty/ PE Bag 只/袋装	Remark 可量产状态
2×2	WF4141-2HK02W01	300	*
2×3	WF4141-2HK03W01	200	*

Note: * stands for mass production . 注: *代表可量产

Dimensions 尺寸 (Housing)

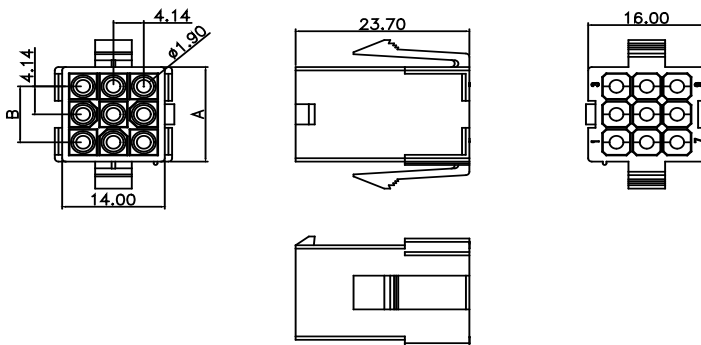


Ordering Information 订购信息

Circuit 芯数	Part number 型号	Dimensions 尺寸 (mm)		Package 包装Q'ty/ PE Bag 只/袋装	Remark 可量产状态
		A	B		
3×3	WF4141-3H03W01	14.00	8.28	200	*
3×4	WF4141-3H04W01	18.14	12.42	200	*
3×5	WF4141-3H05W01	22.28	16.56	100	*

Note: * stands for mass production . 注: *代表可量产

Dimensions 尺寸 (Male Housing)



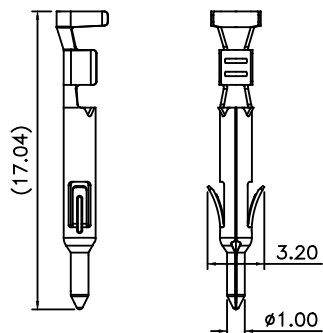
Ordering Information 订购信息

Circuit 芯数	Part number 型号	Dimensions 尺寸 (mm)		Package 包装Q'ty/ PE Bag 只/袋装	Remark 可量产状态
		A	B		
3×3	WF4141-3HK03W01	14.00	8.28	100	*
3×4	WF4141-3HK04W01	18.14	12.42	100	*
3×5	WF4141-3HK05W01	22.28	16.56	30	*

Note: * stands for mass production . 注: *代表可量产

WF4141 Series

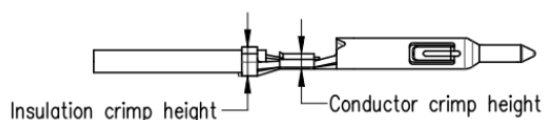
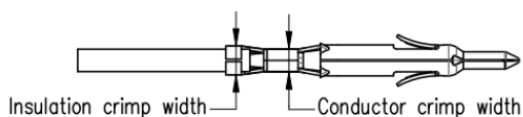
Adaptor Terminal 适配端子 (Male)



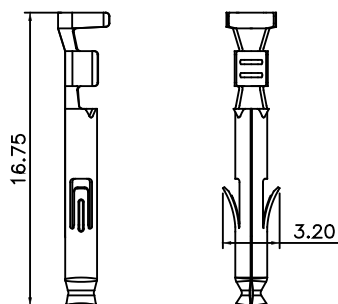
型号 Model number	线径 Wire Diameter
WF4141-MTBSN01	22~24 AWG
WF4141-MTBSN02	16 AWG
WF4141-MTBSN03	20 AWG
WF4141-MTBSN04	26~28 AWG

Terminal Crimp specification 端子压接规范

型号 Model number	电线规格 Wire size	线缆 OD (mm) Cable OD (mm)	导体铆压 (A-A) Conductor crimp		绝缘体铆压 (B-B) Insulation crimp	
			压接宽度 Crimping width	压接高度 Crimping height	压接宽度 Crimping width	压接高度 Crimping height
WF4141-MTBSN01	22#AWG	1.6±0.1	1.4±0.03	0.85±0.03	1.8 Ref.	1.7 Ref.
	24#AWG	1.3±0.1	1.4±0.03	0.76±0.03	1.8 Ref.	1.6 Ref.
WF4141-MTBSN02	16#AWG	2.4±0.1	1.8±0.05	1.45±0.05	2.6 Ref.	2.5 Ref.
WF4141-MTBSN03	20#AWG	1.8±0.1	1.5±0.05	1.1±0.05	2.3 Ref.	2.4 Ref.
WF4141-MTBSN04	26#AWG	1.3±0.1	1.15±0.03	0.7±0.03	1.8 Ref.	1.7 Ref.
	28#AWG	1.2±0.1	1.15±0.03	0.65±0.03	1.8 Ref.	1.6 Ref.



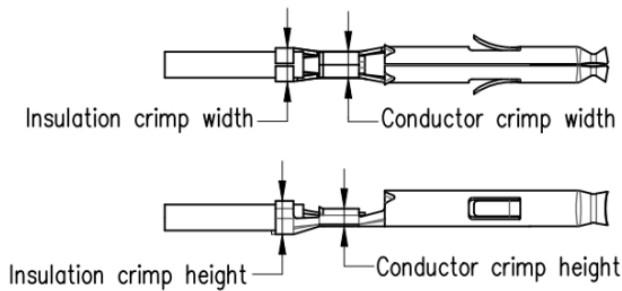
Adaptor Terminal 适配端子 (Female)



型号 Model number	线径 Wire Diameter
WF4141-TBSN01	22~24 AWG
WF4141-TBSN02	16 AWG
WF4141-TBSN03	20 AWG
WF4141-TBSN04	26~28 AWG

Terminal Crimp specification 端子压接规范

型号 Model number	电线规格 Wire size	线缆 OD (mm) Cable OD (mm)	导体铆压 (A-A) Conductor crimp		绝缘体铆压 (B-B) Insulation crimp	
			压接宽度 Crimping width	压接高度 Crimping height	压接宽度 Crimping width	压接高度 Crimping height
WF4141-MTBSN01	22#AWG	1.6±0.1	1.4±0.03	0.85±0.03	1.8 Ref.	1.7 Ref.
	24#AWG	1.3±0.1	1.4±0.03	0.76±0.03	1.8 Ref.	1.6 Ref.
WF4141-MTBSN02	16#AWG	2.4±0.1	1.8±0.05	1.45±0.05	2.6 Ref.	2.5 Ref.
WF4141-MTBSN03	20#AWG	1.8±0.1	1.5±0.05	1.1±0.05	2.3 Ref.	2.4 Ref.
WF4141-MTBSN04	26#AWG	1.3±0.1	1.15±0.03	0.7±0.03	1.8 Ref.	1.7 Ref.
	28#AWG	1.2±0.1	1.15±0.03	0.65±0.03	1.8 Ref.	1.6 Ref.



Model number allocation 型号命名

WF4141	-	X	XX	XX	W	X	X
(1)		(2)	(3)	(4)	(5)	(6)	(7)
(1) Series (系列): WF4141 Series				(5) Color (颜色): White=白色			
(2) Number of rows (排数): 1=Single Row、2=Double Row、3=Three Row				(6) Packing (包装): 0=PE Bag、A=Tray			
(3) Product Type (产品类型): WS=180° DIP、WR=90° DIP				(7) Wcon Internal Code (内部代码)			
(4) No.of pins (PIN数)							
Single Row (单排): 01=1P、02=2P、03=3P							
Double Row (双排): 02=2*2P.....12=2*12P							
Three Row (三排): 03=3*3P.....05=3*5P							

WF4141 Series

WF4141	-	X	XX	XX	W	0	X
(1)		(2)	(3)	(4)	(5)	(6)	(7)
(1) Series (系列): WF4141 Series				(5) Color (颜色): W=White			
(2) Number of rows (排数): 1=Single Row、 2=Double Row、3=Three Row				(6) Packing (包装): 0=PE Bag			
(3) Product Type (产品类型): H=Housing、 HK=Male Housing				(7) Wcon Internal Code (内部代码)			
(4) No.of pins (PIN数)							
Single Row (单排): 01=1P、02=2P、03=3P							
Double Row (双排): 02=2*2P.....12=2*12P							
Three Row (三排): 03=3*3P.....05=3*5P							

Contact Us 联系我们

维峰电子股份有限公司(总部)
WCON ELECTRONICS CO.,LTD(HQ)
地址:广东省东莞市虎门镇大宁文明路15号
Add :No.15,Wenming Road,Danling Community, Humen Town,
Dongguan, Guangdong.523930, China

昆山维康电子有限公司
KUNSHAN WCON ELECTRONICIS CO.,LTD(East of China)
地址:昆山市千灯镇汶浦中路169号
Add : No.169, WenPu Middle Road, QianDeng Town, Kunshan
City, Jiangsu Province, China

合肥维峰电子有限公司
HEFEI WCON ELECTRONICIS CO.,LTD
地址:安徽省合肥市高新技术开发区绿城科技园E栋2楼
Add : 2F, Building E, Greentown Science Park,High-tech Devel-
opment Zone, Hefei, Anhui,China

维康电子(泰国)有限公司
WCON ELECTRONICS (Thailand) CO.,LTD
地址:泰国巴真武里府西玛铺县华瓦区洛加纳工业园
Add: VG3C+H57, Hua Wa, Si Maha Phot District, Prachin Buri
25140, Thailand

销售联系方式 Sales Contacts

国际客户部 International Sales Department
salesdg01@wcon.com
salesdg05@wcon.com

大客户专线 Key Account Line

华南: salesdg28@wcon.com
华东: salesks@wcon.com

中小客户专线 Small and Medium-sized Account Line

华南: salesdg10@wcon.com
华东: salesks01@wcon.com

网络销售 Online sales

salesdg26@wcon.com



Official Website



Product e-catalog



WeChat Public#



TikTok Public#