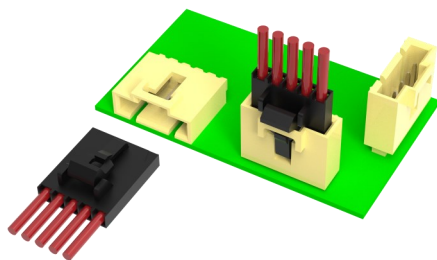


WF2542 Series WF2542系列

2.54mm pitch/Wire-to-board Connector 2.54mm间距/线到板连接器

**Overview**

WF2542 is a 2.54mm pitch wire to board single row connector, the product has both high density, high performance, high integration and other advantages, can effectively ensure the stability of the signal transmission and integrity of the board end to provide horizontal and vertical through-hole mounting, to meet the customer's different angles of insertion and adaptation.

Features and Benefits

- Small size and high integration
- Mis-insertion-proof design to avoid mis-insertion effectively
- Internal locking design for reliable performance in high vibration environments
- Available in AWG#22 to 34 wire

Product Applications

- Automotive: interior lighting, steering systems, airbag sensors
- Industrial equipment: automation equipment, robotics and control systems, control units
- Computers: motherboards, fans, hard drives, disk drives
- Household appliances: washing machines, refrigerators, ovens

Standard 标准

- EIA 364

概述

WF2542是一款2.54mm间距线到板单排连接器，产品兼具高密度、高性能，高集成等优点，能有效确保信号传输的稳定性以及完整性，板端提供水平及垂直方向通孔安装，满足客户不同角度对插适配。

产品特点

- 产品体积小，集成度高
- 防错插设计、有效避免错插
- 内锁扣设计，在高振动环境中实现可靠性能
- 提供AWG#22~34线径

应用领域

- 汽车：室内照明、转向系统、气囊传感器
- 工业设备：自动化设备、机器人与控制系统、控制单元
- 计算机：主板、风扇、硬盘、磁盘驱动器
- 家用电器：洗衣机、冰箱、烤箱

UL certification UL认证

- E248993

Material 材料

Part/零件	Material/材料	Finish/电镀	UL Flame retardant/阻燃等级
Housing/主体	PBT	Black/黑色	UL94V-0
Header/板端	PBT	Beige/米色 White/白色 Black/黑色	UL94V-0
Terminal/端子	phosphor bronze 磷铜 (C5191)	Au or Sn plated 镀金或锡	-

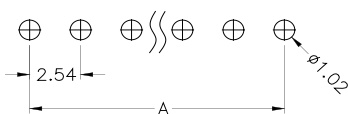
Production Specifications 产品规格

Current rating 额定电流	3.0 A	Operating Temperature Range:-40° C~+105° (including temperature rise) Operating Humidity Range:20-80% 工作温度范围: -40° C~+105° C(含温升) 工作湿度范围: ≤80%	Storage Teroerature: Operating Humidity: 储存温度: 25±5° C 储存湿度: ≤60%
Voltage rating 额定电压	250V		

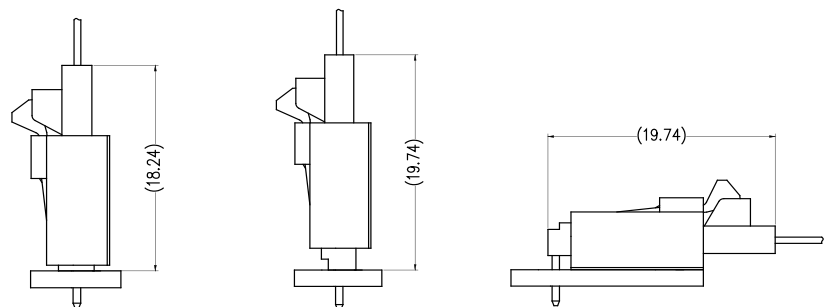
Item 项目	Condition 条件	Specification 规格
Insulation Resistance 绝缘电阻	Measured at 1000V DC for 1 minute 测试电压: 1000V DC/1分钟	No less than 1000M Ω 不少于1000MΩ
Withstanding voltage 耐电压	Measured at 1000V AC for 1 minute 测试电压: 1000V AC/1分钟	No breakdown, no discharge, leakage current <0.5mA 无击穿、无放电、漏电流<0.5mA
Contact Resistance 接触电阻	Measured at 100mA and no higher than 20mV 用20 mV DC进行测量	Contact resistance: Initial value/ 20 mo max After environmental tests/ 30 mo max. 接触电阻: 初始值 20 mΩ 以下 测试后 30 mΩ 以下
Vibration Resistance 抗振动	Frequency : 50 ~ 2000 Hz PSD value : 5.35 Gms minimum Duration : 15 minutes/axis Times : Each of three mutually perpendicular planes. 频率: 50 ~ 2000 Hz PSD值: 5.35 Gms 时长: 15分钟/轴 次数: 3次	No electrical discontinuity of 1μsorgreater 试验过程中未发生1μs瞬断现象, 且外观无损伤, 电气性能正常
Humidity (Steady state) 湿度	Temperature : 25~65°C Humidity: 90 ~95% (R.H) Duration : 96 hours 温度: 25~65° C 湿度: 90 ~95% (R.H) 时间: 96小时	Contact resistance: Initial value/ 20 mo max After environmental tests/ 30 mo max. 接触电阻: 初始值 20 mΩ 以下 测试后 30 mΩ 以下
Salt Spray 盐雾	Temperature:35±1°C Humidity:95~98%(R.H) PHValue : 6.5 ~ 7.2 Duration : 12hours 温度: 35±1° C 湿度: 95~98%(R.H) PH值: 6.5~7.2 时间: 12小时	Contact resistance: Initial value/ 20 mo max After environmental tests/ 30 mo max. 接触电阻: 初始值 20 mΩ 以下 测试后 30 mΩ 以下
Durability(Mating/un-mating) 插拔寿命	50 cycles 循环50次	Contact resistance: Initial value/ 20 mo max After environmental tests/ 30 mo max. 接触电阻: 初始值 20 mΩ 以下 测试后 30 mΩ 以下

PCB Layout 印刷电路板布局

Through-hole type 通孔型
(S/T DIP、R/A DIP)



Assembly Schematic 装配示意



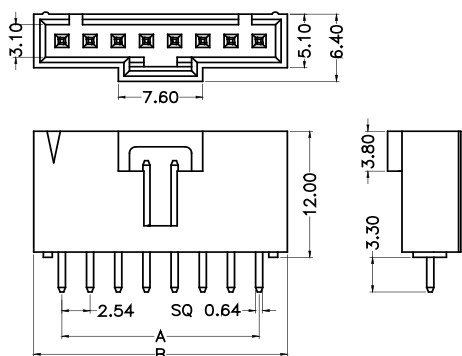
WF2542 Series

Ordering Information 订购信息

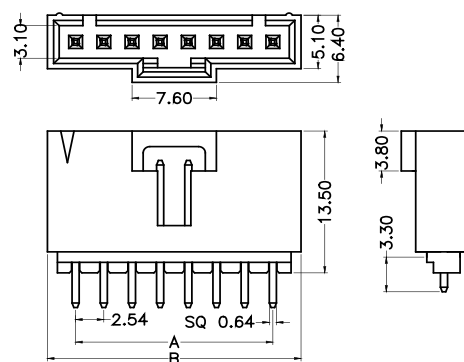
Circuit 芯数	Part number 型号			Dimensions 尺寸 (mm)		Package 包装 Q'ty/Bag 只/袋装		Remake 可量产状态	
	S/T DIP		R/A DIP	A	B	S/T DIP	R/A DIP	S/T DIP	R/A DIP
	Normal Type 普通型	Raised Type 加高型	Raised Type 加高型						
2	WF2542-WS02X01	WF2542-WS02X02	WF2542-WR02X01	2.54	7.62	1000	1000	*	*
3	WF2542-WS03X01	WF2542-WS03X02	WF2542-WR03X01	5.08	10.16	1000	1000	*	*
4	WF2542-WS04X01	WF2542-WS04X02	WF2542-WR04X01	7.62	12.70	500	500	*	*
5	WF2542-WS05X01	WF2542-WS05X02	WF2542-WR05X01	10.16	15.24	500	500	*	*
6	WF2542-WS06X01	WF2542-WS06X02	WF2542-WR06X01	12.70	17.78	400	400	*	*
7	WF2542-WS07X01	WF2542-WS07X02	WF2542-WR07X01	15.24	20.32	400	400	*	*
8	WF2542-WS08X01	WF2542-WS08X02	WF2542-WR08X01	17.78	22.86	400	400	*	*
9	WF2542-WS09X01	WF2542-WS09X02	WF2542-WR09X01	20.32	25.40	250	250	*	*
10	WF2542-WS10X01	WF2542-WS10X02	WF2542-WR10X01	22.86	27.94	250	250	*	*
11	WF2542-WS11X01	WF2542-WS11X02	WF2542-WR11X01	25.40	30.48	250	250	*	*
12	WF2542-WS12X01	WF2542-WS12X02	WF2542-WR12X01	27.94	33.02	250	250	*	*
13	WF2542-WS13X01	WF2542-WS13X02	WF2542-WR13X01	30.48	35.56	200	200		
14	WF2542-WS14X01	WF2542-WS14X02	WF2542-WR14X01	33.02	38.10	200	200		
15	WF2542-WS15X01	WF2542-WS15X02	WF2542-WR15X01	35.56	40.64	200	200	*	*
16	WF2542-WS16X01	WF2542-WS16X02	WF2542-WR16X01	38.10	43.18	150	150	*	*

Note: * stands for mass production . 注: *代表可量产

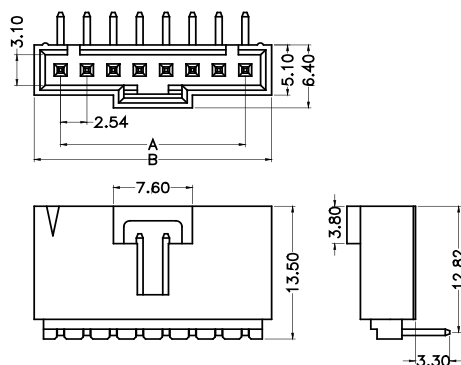
Dimensions 尺寸(S/T DIP) (Normal Type 普通型)



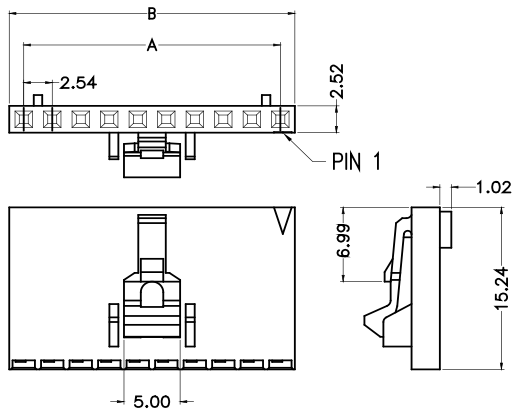
Dimensions 尺寸(S/T DIP) (Raised Type加高型)



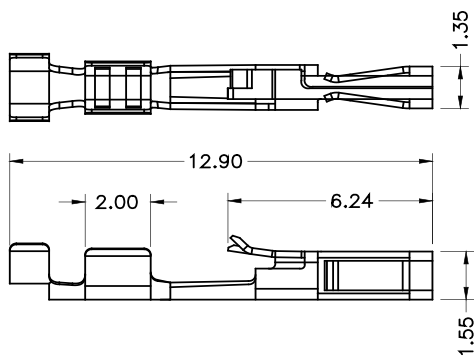
Dimensions 尺寸(R/A DIP) (Raised Type加高型)



Dimensions 尺寸



Adaptor Terminal 适配端子



型号 Model number	WF2542-TPXX04
	WF2542-TPXX05
	WF2542-TPXX06

Ordering Information 订购信息

Circuit 芯数	Part number 型号	Dimensions 尺寸 (mm)		Package 包装 Q'ty/Bag 只/袋装	Remake 可量产状态
		A	B		
2	WF2542-H02B01 (W)	2.54	5.12	2000	*
3	WF2542-H03B01 (W)	5.08	7.66	1000	*
4	WF2542-H04B01 (W)	7.62	10.20	100	*
5	WF2542-H05B01 (W)	10.16	12.74	800	*
6	WF2542-H06B01 (W)	12.70	15.28	800	*
7	WF2542-H07B01 (W)	15.24	17.82	800	*
8	WF2542-H08B01 (W)	17.78	20.36	500	*
9	WF2542-H09B01 (W)	20.32	22.90	500	*
10	WF2542-H10B01 (W)	22.86	25.44	500	*
11	WF2542-H11B01 (W)	25.40	27.98	500	*
12	WF2542-H12B01 (W)	27.94	30.52	500	*
13	WF2542-H13B01 (W)	30.48	33.06	500	*
14	WF2542-H14B01 (W)	33.02	35.60	500	*
15	WF2542-H15B01 (W)	35.56	38.14	300	*
16	WF2542-H16B01 (W)	38.10	40.68	300	*
17	WF2542-H17B01 (W)	40.64	43.22	300	*
18	WF2542-H18B01 (W)	43.18	45.76	300	*
19	WF2542-H19B01 (W)	45.72	48.30	300	*
20	WF2542-H20B01 (W)	48.26	50.84	150	*
21	WF2542-H21B01 (W)	50.80	53.38	150	*
22	WF2542-H22B01 (W)	53.34	55.92	150	*
23	WF2542-H23B01 (W)	55.88	58.46	150	*
24	WF2542-H24B01 (W)	58.42	61.00	150	*
25	WF2542-H25B01 (W)	60.96	63.54	150	*

Note: * stands for mass production . 注: *代表可量产

Terminal Crimp specification 端子压接规范

型号 Model number	电线类型 Wire type	电线规格 Wire size	线缆 OD (mm) Cable OD (mm)	剥线长度 (mm) Strip length (mm)	导体铆压 (A-A) Conductor crimp			绝缘体铆压 (B-B) Insulation crimp	
					压接宽度CB1 Crimping width CB1±0.03mm	压接宽度CBm1 Crimping height CBm1+0.05mm	压接高度 Crimping height CH1±0.03mm	压接宽度CBm2 Crimping width CBm2±0.05mm	压接高度CH2 Crimping width CH2±0.08mm
WF2542-TPXX04	UL 3266	22 AWG	1.60	3.00±0.15mm	1.27	1.30	0.86	1.68	1.64
	UL 1569	24 AWG	1.40		1.27	1.30	0.84	1.66	1.55
WF2542-TPXX05	UL 1061	26 AWG	0.90		1.00	1.06	0.69	1.34	1.16
	UL 1007	28 AWG	1.20		1.00	1.04	0.66	1.35	1.17
WF2542-TPXX06	3302	30 AWG	0.70		0.80	0.84	0.58	0.95	0.79
	10368	32 AWG	0.70		0.82	0.84	0.50	0.94	0.75
	10064	34 AWG	0.32	0.80	0.83	0.51	0.94	0.73	

Model number allocation 型号命名

WF2542	-	XX	XX	X	X	X
(1)		(2)	(3)	(4)	(5)	(6)
(1) Series (系列): Wafer 2.54mm Series				(4) Color(颜色): W=White、B=Black、E=Beige		
(2) Terminal type (端子形态): WS=S/T DIP WR=R/A DIP			(5) Packing (包装): 0=PE Bag、T=Tuble			
(3) Circuit (位数): 02=2.....16=16P			(6) Internal code (流水码)			

WF2542	-	H	XX	B	0	1	(W)
(1)		(2)	(3)	(4)	(5)	(6)	
(1) Series (系列): Wafer 2.50mm Series				(4) Color(颜色): B=Black			
(2) Product type (产品类型): H=Crimp Type Housing			(5) Packing (包装): 0=PE Bag				
(3) Circuit (位数): 02=2.....25=16P			(6) Internal code (流水码)				

Contact Us 联系我们

维峰电子股份有限公司(总部)
WCON ELECTRONICS CO.,LTD(HQ)
地址:广东省东莞市虎门镇大宁文明路15号
Add :No.15,Wenming Road,Danling Community, Humen Town, Dongguan, Guangdong.523930, China

昆山维康电子有限公司
KUNSHAN WCON ELECTRONICIS CO.,LTD(East of China)
地址:昆山市千灯镇汶浦中路169号
Add : No.169, WenPu Middle Road, QianDeng Town, Kunshan City, Jiangsu Province, China

合肥维峰电子有限公司
HEFEI WCON ELECTRONICIS CO.,LTD
地址:安徽合肥市高新技术开发区绿城科技园E栋2楼
Add : 2F, Building E, Greentown Science Park,High-tech Development Zone, Hefei, Anhui,China

维康电子(泰国)有限公司
WCON ELECTRONICS (Thailand) CO.,LTD
地址:泰国巴真武里府西玛铺县华瓦区洛加纳工业园
Add: VG3C+H57, Hua Wa, Si Maha Phot District, Prachin Buri 25140, Thailand

销售联系方式 Sales Contacts

国际客户部 International Sales Department
salesdg01@wcon.com
salesdg05@wcon.com

大客户专线 Key Account Line
华南: salesdg28@wcon.com
华东: salesks@wcon.com

中小客户专线 Small and Medium-sized Account Line
华南: salesdg10@wcon.com
华东: salesks01@wcon.com

网络销售 Online sales
salesdg26@wcon.com



Official Website



Product e-catalog



WeChat Public#



TikTok Public#